

CEILING COLLECTION

**Mercer Suspension**



**DESCRIPTION**

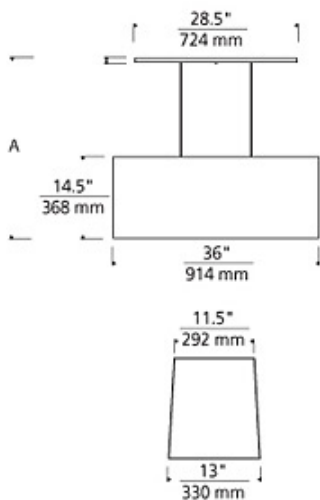
Large rectangular tapered fabric shade suspended by rigid stems from a rectangular canopy. Acrylic diffuser provides a glare free wash of light. Available in two lamp configurations: incandescent and fluorescent. Incandescent version includes four 100 watt A19 medium base lamps. Fluorescent version includes four 27 watt GU24 base self-ballasted compact fluorescent lamps. Incandescent version dimmable with standard incandescent dimmer.

**WEIGHT**

15.8lb / 7.17kg

**ORDERING INFORMATION**

SYSTEM		LENGTH	COLOR	FINISH	LAMP
700	MERC				
TD	CEILING	36 36"	N BROWN	Z ANTIQUE	INCANDESCENT
	COLLECTION	48 48"	C DESERT CLAY	BRONZE	120V
		60 60"	S SATIN NICKEL	-CF	COMPACT FLUORESCENT
			W WHITE		120V



**TECH LIGHTING®**

7400 Linder Avenue T 847.410.4400  
 Skokie, Illinois 60077 F 847.410.4500

[www.techlighting.com](http://www.techlighting.com)

700 \_\_\_\_\_ MERC \_\_\_\_\_

FIXTURE TYPE: \_\_\_\_\_

JOB NAME: \_\_\_\_\_

NOTES: \_\_\_\_\_

\_\_\_\_\_

\_\_\_\_\_



©2010 Tech Lighting, L.L.C. All Rights Reserved. The "Tech Lighting" graphic is a registered trademark of Tech Lighting, L.L.C. Tech Lighting reserves the right to change specifications for product improvements without notification.