

Pendant Cluster Canopies

700TDCLP_

1.9



GENERAL PRODUCT INFORMATION:



This product is suitable for damp locations.

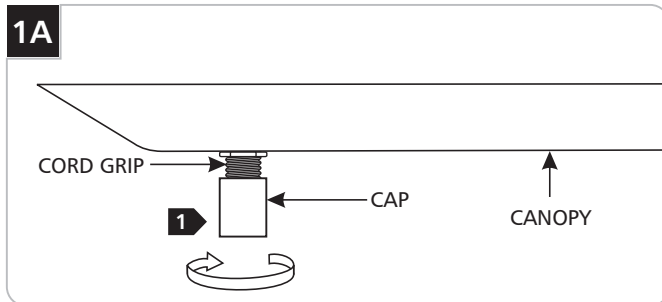
This product can mount to either a 4" square electrical box with round plaster ring or an octagon electrical box.

This product is suitable for indoor dry locations only.

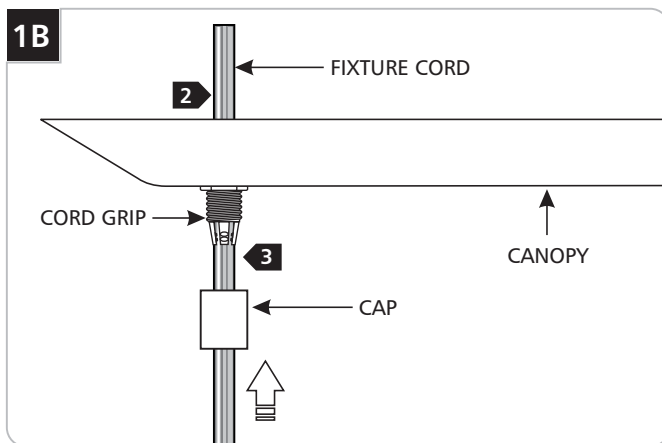


CAUTION - RISK OF FIRE
 This product requires installation by qualified electrician. Before installing be sure to read all instructions and **TURN THE POWER TO THE ELECTRICAL BOX OFF.**

Adjust The Fixture Height

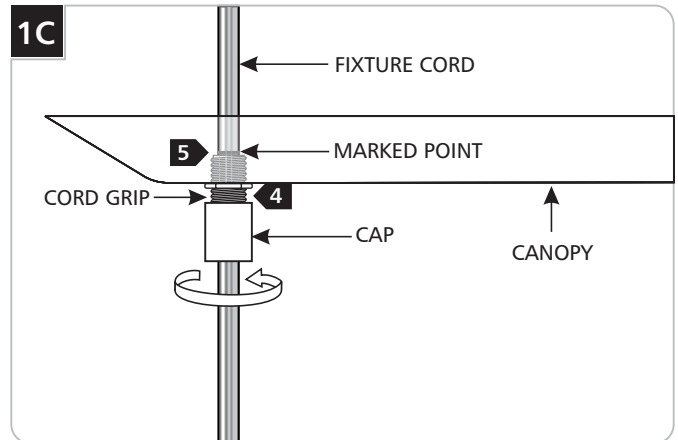


1 For each pendant fixture unscrew the cap from the cord grip.



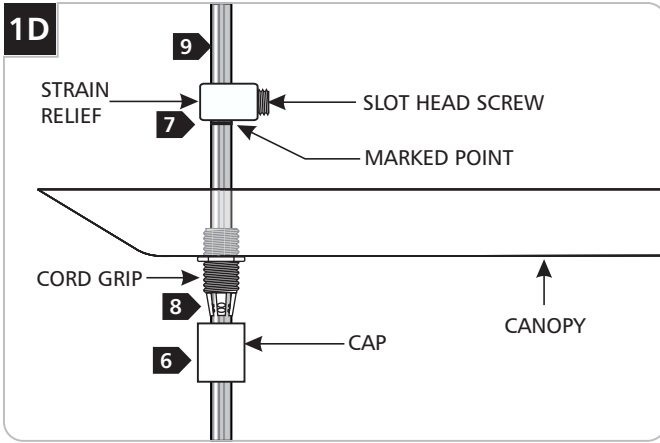
2 Feed the fixture cord through the cap and cord grip into the canopy.

3 Adjust the fixture height (from bottom of the fixture shade to top of the canopy) by moving the fixture cord up or down.

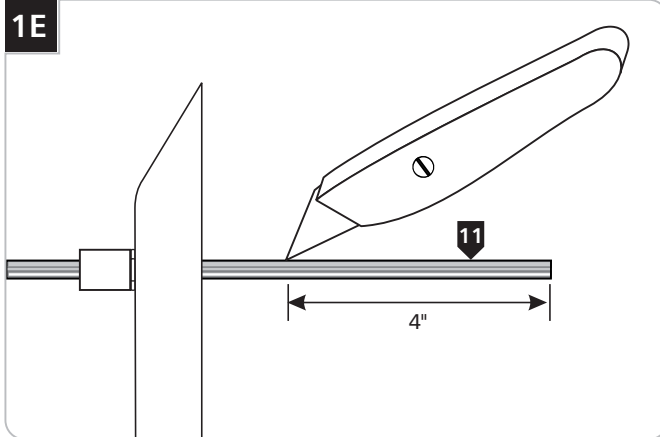


4 When desired height is achieved, slightly tighten the cap.

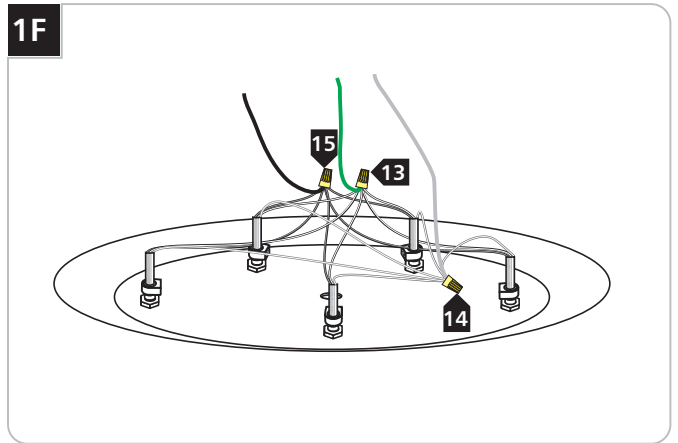
5 From inside mark the cord right behind the cord grip for the strain relief location.



- 6 Loosen the cap and feed the cord through the strain relief.
- 7 Place the strain relief right above the marked point and tighten the slot head screw.
- 8 Slide the canopy against the strain relief and tighten the cap to the cord grip.
- 9 For power connection, leave at least 6" of the cord exposed in the back of the canopy.
- 10 Cut off excess cord with a sharp cutter.



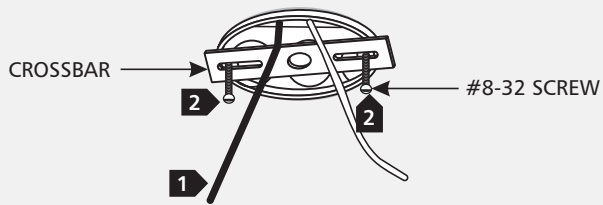
- 11 From the end of the cord, strip the outer insulation 4" using a sharp knife and needlenose pliers. ***Make sure not to cut inner wires.***
- 12 Strip 1/4" of insulation from the inner insulated wires. (three inner insulated wires for standard SVT cord). The bare inner wire is the ground wire (green insulated wire



- 13 Connect the bare (uninsulated) wire from each fixture to the provided green extension wire with a wire nut.
- 14 Connect the wire with white strip from each fixture to the provided white extension wire with a wire nut.
- 15 Connect the third wire from each fixture to the provided black extension wire with a wire nut.

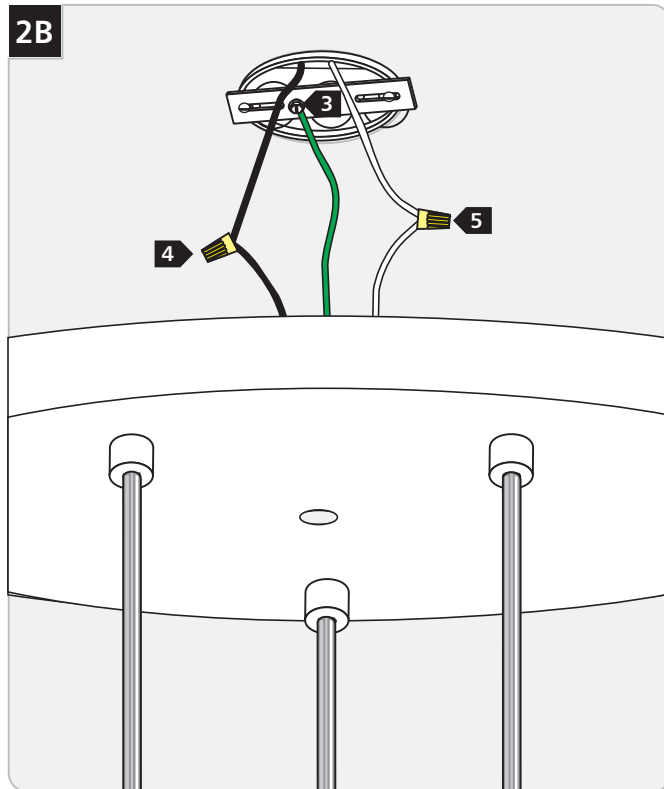
Install the Fixture

2A



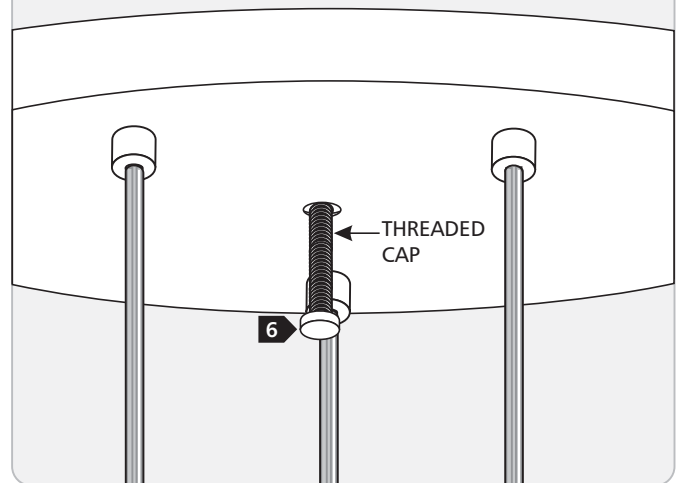
- 1 Pull the power line wires out of electrical box.
- 2 Mount the crossbar to the electrical box with two #8-32 screws provided.

2B



- 3 Connect the green wire to the electrical box ground Screw.
- 4 Connect the black fixture wire to the hot power line wire with a wire nut.
- 5 Connect the white fixture wire to the neutral power line wire with a wire nut.

2C



- 6 Secure the fixture canopy to the electrical box with the threaded cap.

SAVE THESE INSTRUCTIONS!



TECH LIGHTING®

7400 Linder Ave, Skokie, IL 60077

847.410.4400

www.techlighting.com

© 2013 Tech Lighting, L.L.C. All rights reserved. The "Tech Lighting" graphic is a registered trademark of Tech Lighting, L.L.C. Tech Lighting reserves the right to change specifications for product improvements without notification.

A Generation Brands Company