

# Staccato

700STAC\_

1.9



## CHANDELIERS

### GENERAL PRODUCT INFORMATION:



This product is suitable for indoor dry locations only.

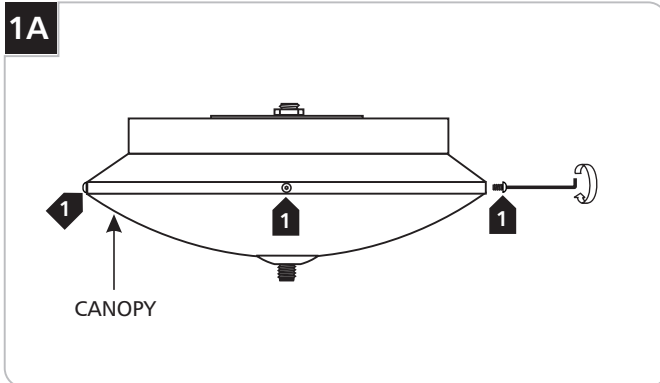
This product is dimmable with a low voltage electronic dimmer.

#### CAUTION — RISK OF FIRE

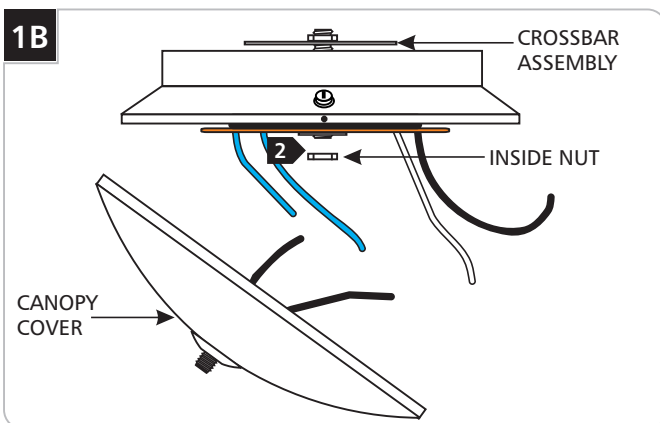
This product requires installation by a qualified electrician. Before installing be sure to read all instructions and TURN OFF POWER TO THE ELECTRICAL BOX.



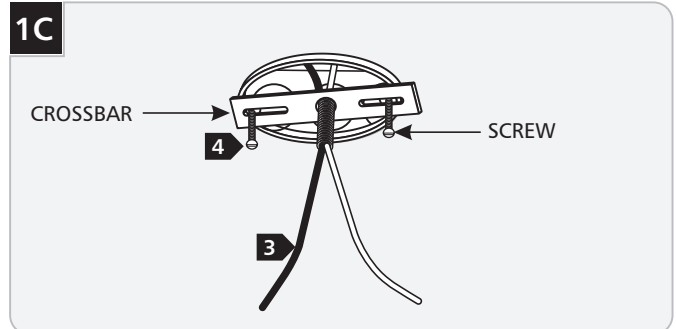
## 1. Install the Canopy



**1** Remove the four screws around the chandelier canopy.



**2** Unscrew the inside nut to remove the crossbar assembly.  
*Do not disassemble the nipple from the crossbar.*

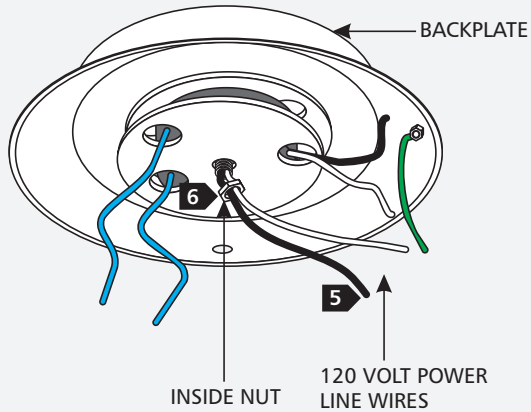


**3** Feed the power line wires through the nipple attached to the crossbar.

**4** Mount the crossbar to the electrical box.

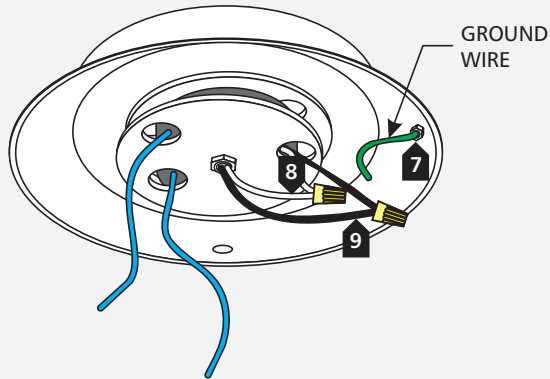
## 2. Mount the Chandelier

1D



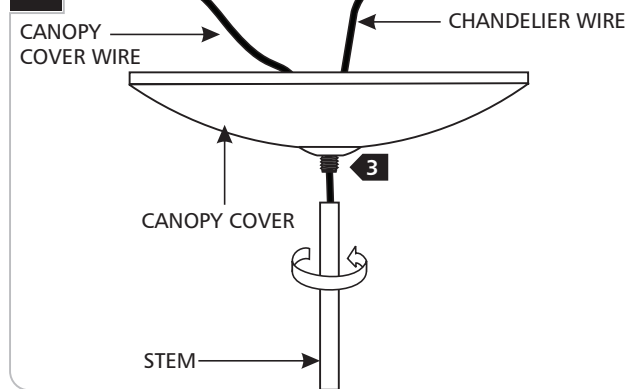
- 5 Feed the 120 volt power line wires through the backplate center hole.
- 6 Slide the backplate all the way onto the threaded nipple (attached to the crossbar) and secure it with the inside nut.

1E



- 7 Connect the fixture ground wire in accordance with local electrical codes.
- 8 Connect the white transformer wire to the neutral power line wire with a wire nut.
- 9 Connect the black transformer wire to the hot power line wire with a wire nut.
- 10 If extending the chandelier, follow the instructions provided with the chandelier extension kit.

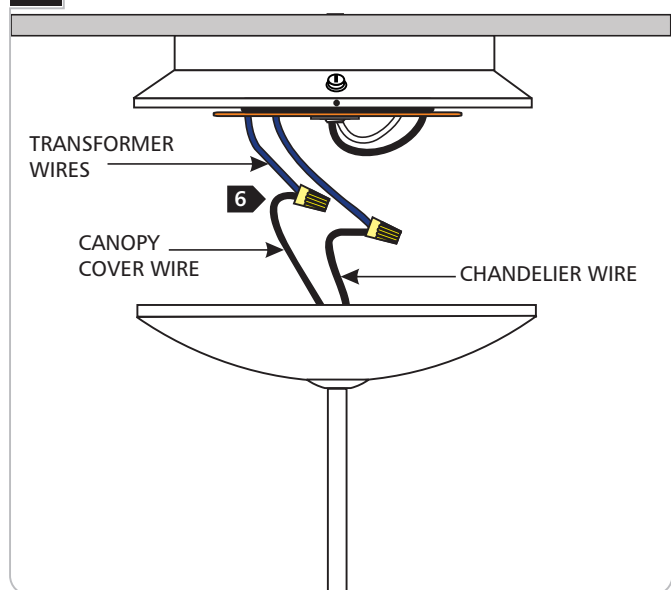
2A



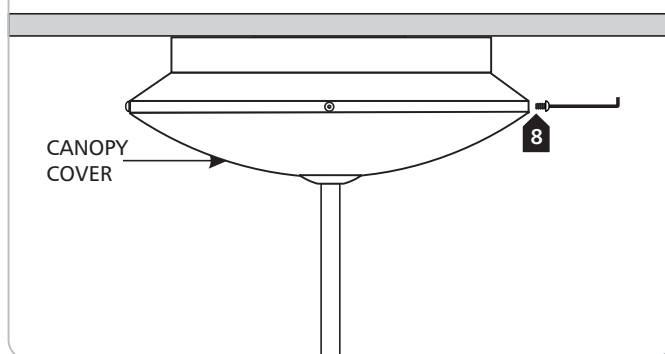
- 1 Feed the chandelier wire through the stem.
- 2 Screw the stem onto the chandelier.
- 3 Feed the chandelier wire through the canopy cover and screw the stem to the canopy cover.
- 4 Cut off excess chandelier wire if necessary.
- 5 Strip the chandelier wire end.

**NOTE:** An assistant should hold the chandelier while the electrician connects the power and installs the canopy cover.

2B

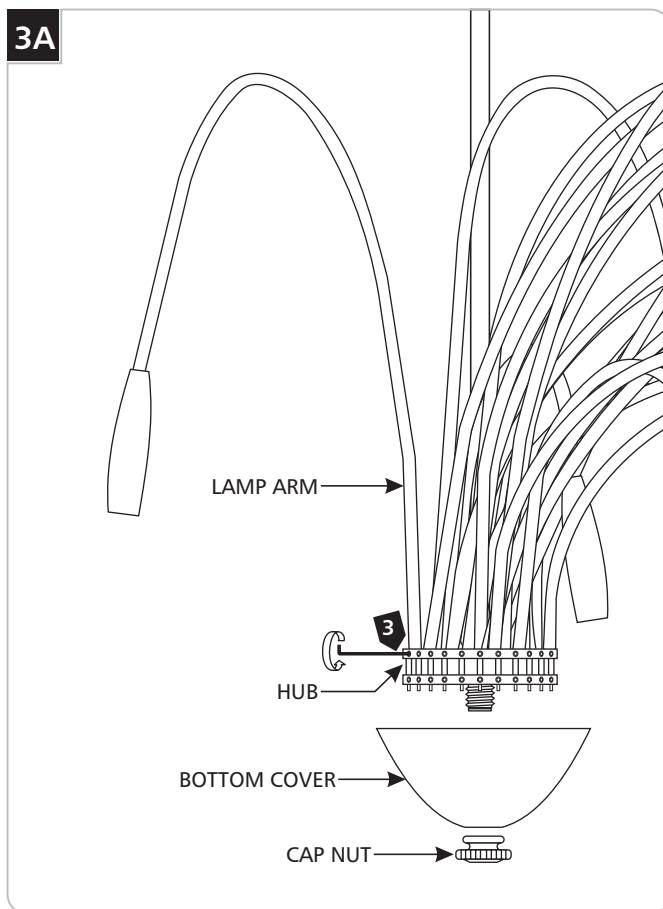


- 6 Connect the canopy cover wire to one 12 volt transformer wire and the chandelier wire to the other 12 volt transformer wire with wire nuts.

**2C**

- 7** Place all wires into the canopy cover and line up the canopy cover holes with the backplate holes.
- 8** Replace and tighten all four button head screws with the 1/16 Allen wrench.

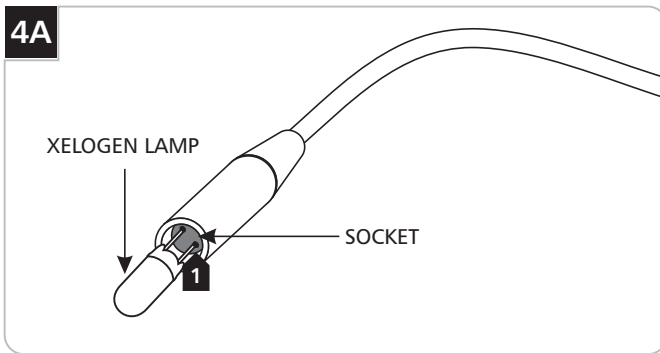
### 3. Line Up the Lamp Arms

**3A**

- 1** Unscrew the cap nut on the bottom cover and remove the cover.
- 2** Turn one of the lamp arms so it points straight out from the center hub.
- 3** Tighten the top set screw on the hub to lock the lamp arm in place.
- 4** Repeat steps 2 and 3 for all the lamp arms.
- 5** Install the bottom cover and screw the cap nut back on.

## 4. Install the Lamps

4A



**NOTE:** Use only your fingers and a soft cloth to replace the lamp.

Use **MAX** 12 Volt, 10 Watt Xenon (Xelogen) bi-pin lamp.



**1** Push the lamp pins all the way into the socket.

**SAVE THESE INSTRUCTIONS!**



**TECH LIGHTING®**

7400 Linder Ave, Skokie, IL 60077

847.410.4400

[www.techlighting.com](http://www.techlighting.com)

© 2008 Tech Lighting, L.L.C. All rights reserved. The "Tech Lighting" graphic is a registered trademark of Tech Lighting, L.L.C. Tech Lighting reserves the right to change specifications for product improvements without notification.

A Generation Brands Company