

MONORAIL

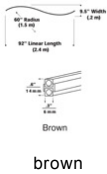
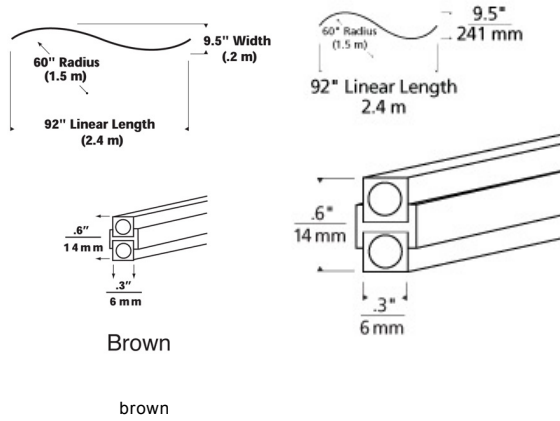
Pre-Bent S Curve MonoRail

DESCRIPTION

MonoRail pre-bent into a horizontal S curve. Consult the drawing for approximate dimensions. For a factory bend not shown, please call for a custom quotation.

WEIGHT

1.1lb / 0.5kg ±



ORDERING INFORMATION

700MOBHSC60 SHAPE OR SIZE	LENGTH (A)	COLOR	FINISH
PRE-BENT S-CURVE	92"	BR BROWN CLEAR	Z ANTIQUE BRONZE S SATIN NICKEL



700MOBHSC60 _____

FIXTURE TYPE: _____

JOB NAME: _____

NOTES: _____
