

TWO - CIRCUIT MONORAIL

Two-Circuit MonoRail FreeJack Connector

DESCRIPTION

Adapts any FreeJack head or pendant to Tech Lighting's Two-Circuit MonoRail system.

INSTALLATION

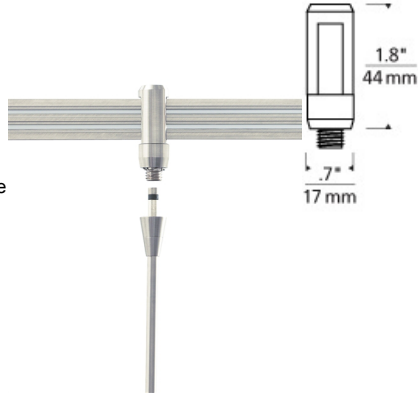
Two-piece connector unscrews to install around Two-Circuit MonoRail; FreeJack male connector fits into bottom; twist to tighten. The placement of the conductive metal set screw on the connector determines which circuit is controlling the head or pendant.

OTHER

For use with any FreeJack pendant or head (sold separately). Note: Two-Circuit MonoRail FreeJack Connectors are included with all MO2-prefixed FreeJack pendants and heads; order additional if required by layout.

WEIGHT

0.1lb / 0.05kg ±



two-circuit
monorail freejack
connector

ORDERING INFORMATION

700MO2CHED FINISH

- Z ANTIQUE BRONZE
- C CHROME
- S SATIN NICKEL



TECH LIGHTING®

7400 Linder Avenue
Skokie, Illinois 60077

T 847.410.4400
F 847.410.4500

Tech Lighting, L.L.C.

700MO2CHED ____

FIXTURE TYPE: _____

JOB NAME: _____

NOTES: _____



©2017 Tech Lighting, L.L.C. All Rights Reserved. The "Tech Lighting" graphic is a registered trademark of Tech Lighting, L.L.C. Tech Lighting reserves the right to change specifications for product improvements without notification.