



**T&S BRASS AND BRONZE WORKS, INC.**

2 Saddleback Cove / P.O. Box 1088  
 Travelers Rest, SC 29690



REG. #A2601  
 ISO #9001

Model No.

**B-0610**

Item No.

Travelers Rest, SC: 800-476-4103 • Simi Valley, CA: 800-423-0150 • Fax: 864-834-3518 • www.tsbrass.com

This Space for Architect/Engineer Approval

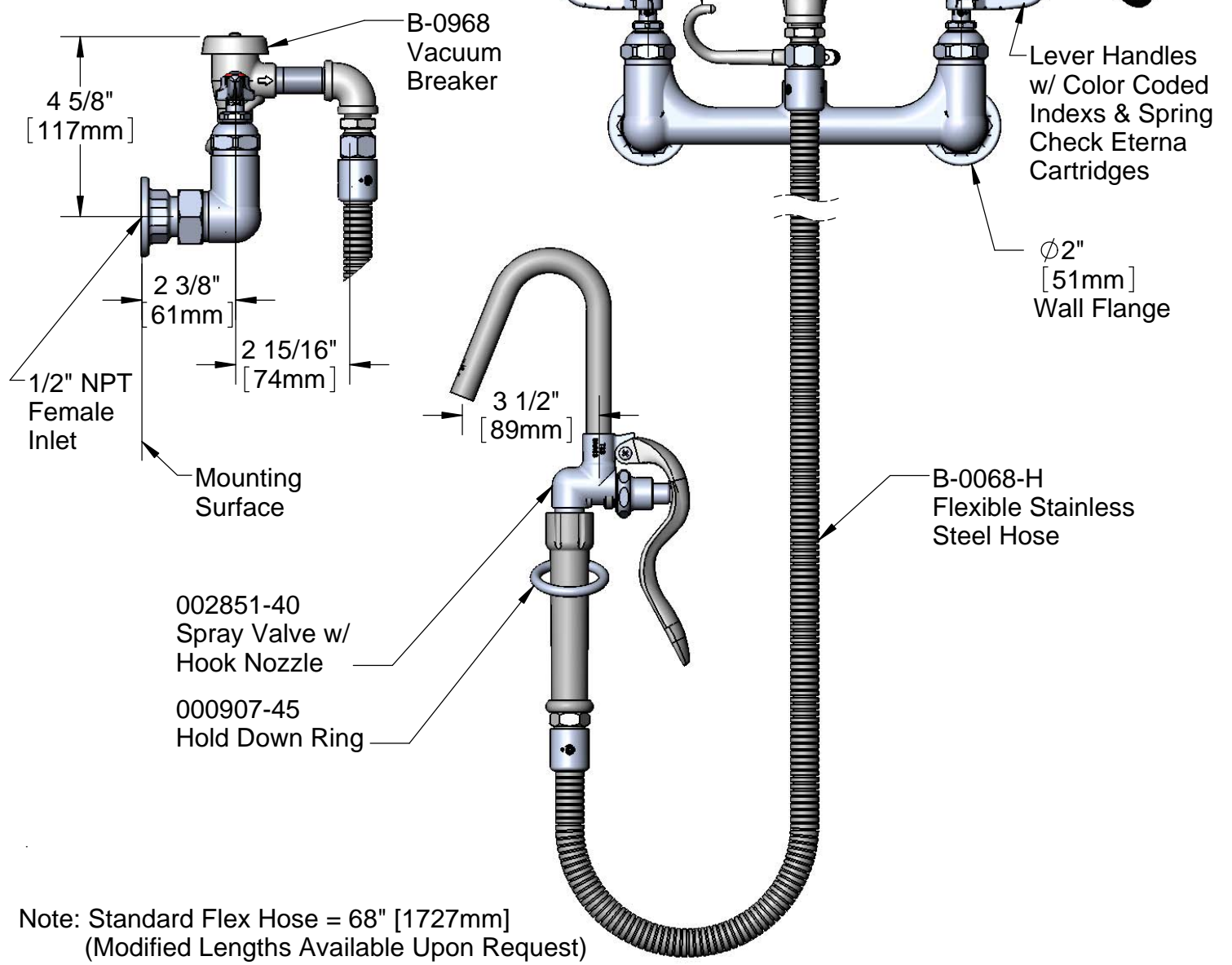
Job Name \_\_\_\_\_ Date \_\_\_\_\_

Model Specified \_\_\_\_\_ Quantity \_\_\_\_\_

Customer/Wholesaler \_\_\_\_\_

Contractor \_\_\_\_\_

Architect/Engineer \_\_\_\_\_



Product Specifications: Kettle & Pot Filler Assembly w/ B-0068-H Flex Hose, Wall Mount Faucet, Vacuum Breaker, Lever Handles & Spray Valve w/ Hook Nozzle	Drawn	Checked	Approved
	DMH	KJG	JHB
	Scale:	Date:	
	1:4	09/30/11	



# T&S BRASS AND BRONZE WORKS, INC.

2 Saddleback Cove / P.O. Box 1088  
Travelers Rest, SC 29690



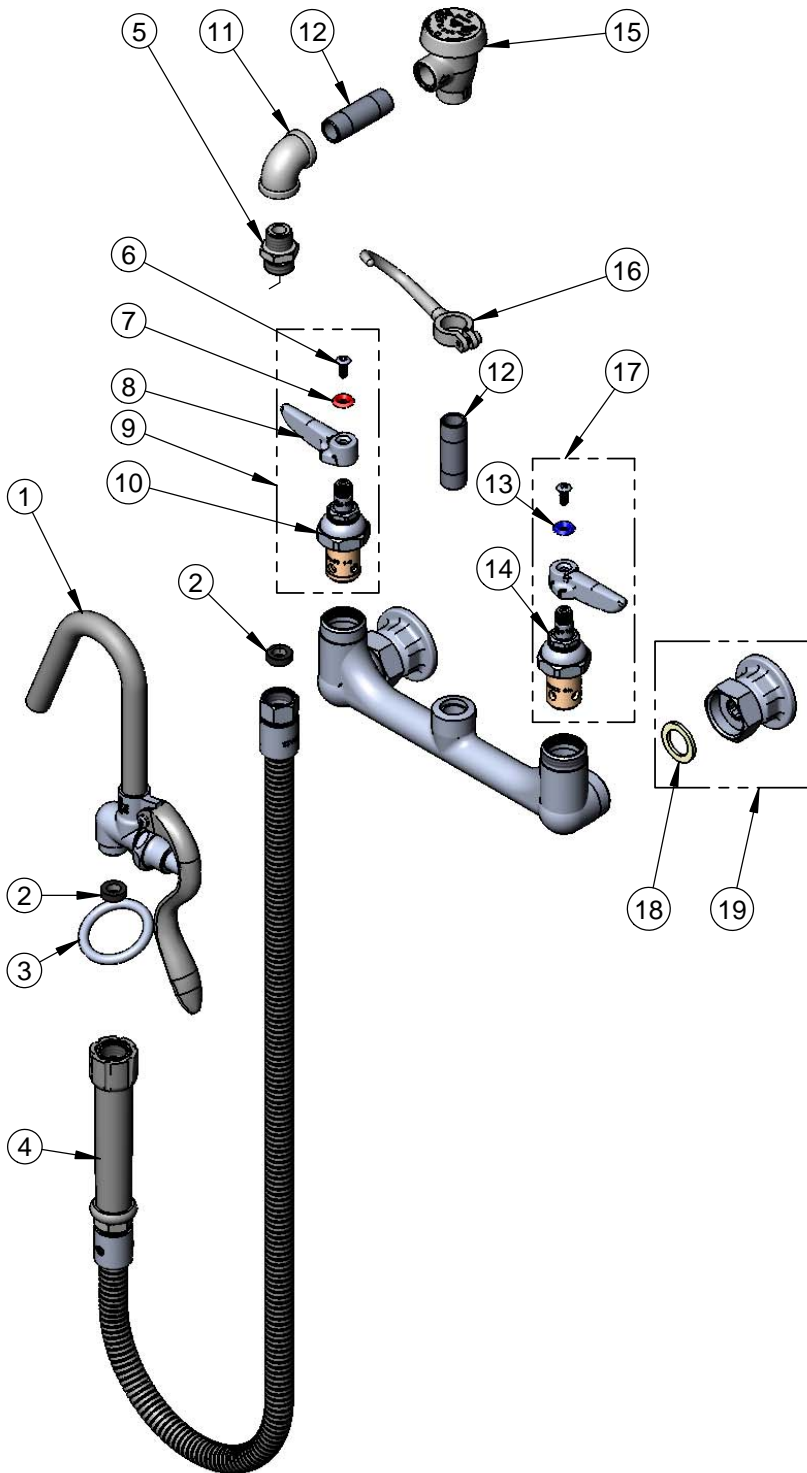
REG. #A2601  
ISO #9001

Model No.

**B-0610**

Item No.

Travelers Rest, SC: 800-476-4103 • Simi Valley, CA: 800-423-0150 • Fax: 864-834-3518 • www.tsbrass.com



ITEM NO.	SALES NO.	DESCRIPTION
1	002851-40	B-0187 Spray Valve & Hook Nozzle Asm
2	010476-45	#27 Washer
3	000907-45	Spray Valve Hold Down Ring
4	B-0068-H	Flex Stainless Steel Hose
5	053A	Adapter, 3/8" NPT x 3/4"-14 UNS
6	000922-45	Lever Handle Screw
7	001661-45	Red Index-HW
8	001638-45	Lever Handle
9	002712-40	Eterna Cartridge - RTC w/ Spring Check, Handle, Index & Screw
10	012443-40	Eterna Cartridge - RTC w/ Spring Check
11	001355-40	Elbow, 3/8 NPT
12	000357-40	Nipple, 3/8" x 2"
13	001660-45	Blue Index-CW
14	012442-40	Eterna Cartridge - LTC w/ Spring Check
15	B-0968	Vacuum Breaker Asm, 3/8"
16	004R	Finger Hook Assembly
17	002711-40	Eterna Cartridge - LTC w/ Spring Check, Handle, Index & Screw
18	001019-45	Coupling Nut Washer
19	00AA	Flange Assembly

Product Specifications:  
Kettle & Pot Filler Assembly w/ B-0068-H Flex Hose,  
Wall Mount Faucet, Vacuum Breaker, Lever Handles  
& Spray Valve w/ Hook Nozzle

Drawn

**DMH**

Checked

**KJG**

Approved

**JHB**

Scale:

**NTS**

Date:

**09/30/11**