



T&S BRASS AND BRONZE WORKS, INC.

2 Saddleback Cove / P.O. Box 1088
Travelers Rest, SC 29690



REG. #A2601
ISO #9001

Model No.

B-0580

Item No.

Travelers Rest, SC: 800-476-4103 Simi Valley, CA: 800-423-0150 Fax: 864-834-3518 www.tsbrass.com

This Space for Architect/Engineer Approval

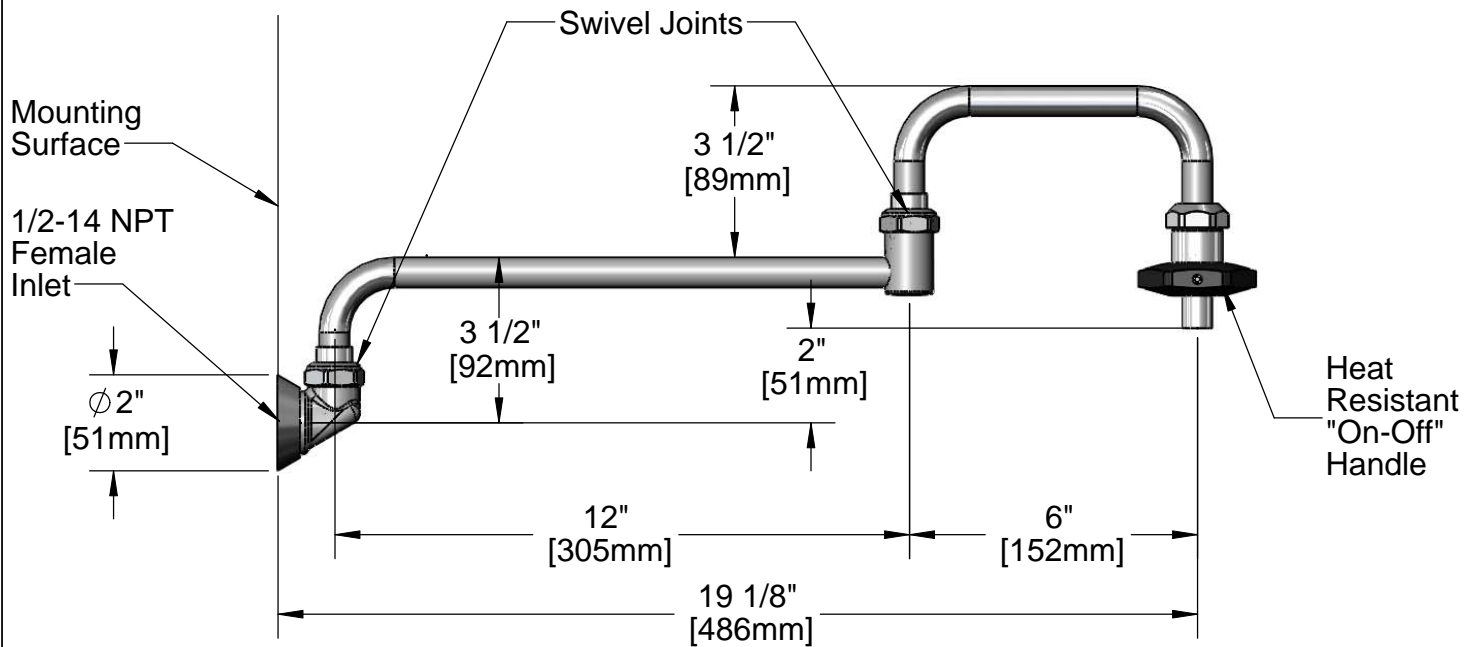
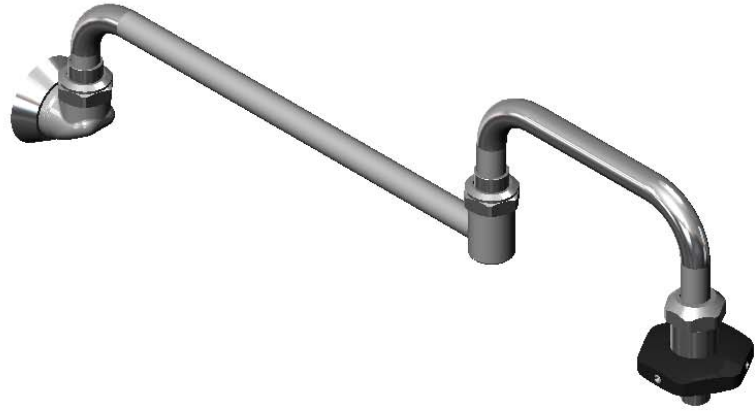
Job Name _____ Date _____

Model Specified _____ Quantity _____

Customer/Wholesaler _____

Contractor _____

Architect/Engineer _____



Product Specifications:

Pot Filler w/ 18" Double Joint Swing Nozzle, Heat Resistant Handle, 1/2" NPT Female Inlet

Drawn
KJG

Checked
JRM

Approved
JHB

Scale:

1:4

Date:

09/16/10



T&S BRASS AND BRONZE WORKS, INC.

2 Saddleback Cove / P.O. Box 1088
Travelers Rest, SC 29690



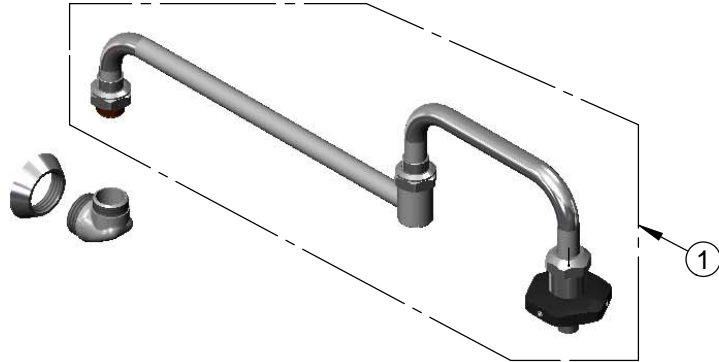
REG. #A2601
ISO #9001

Model No.

B-0580

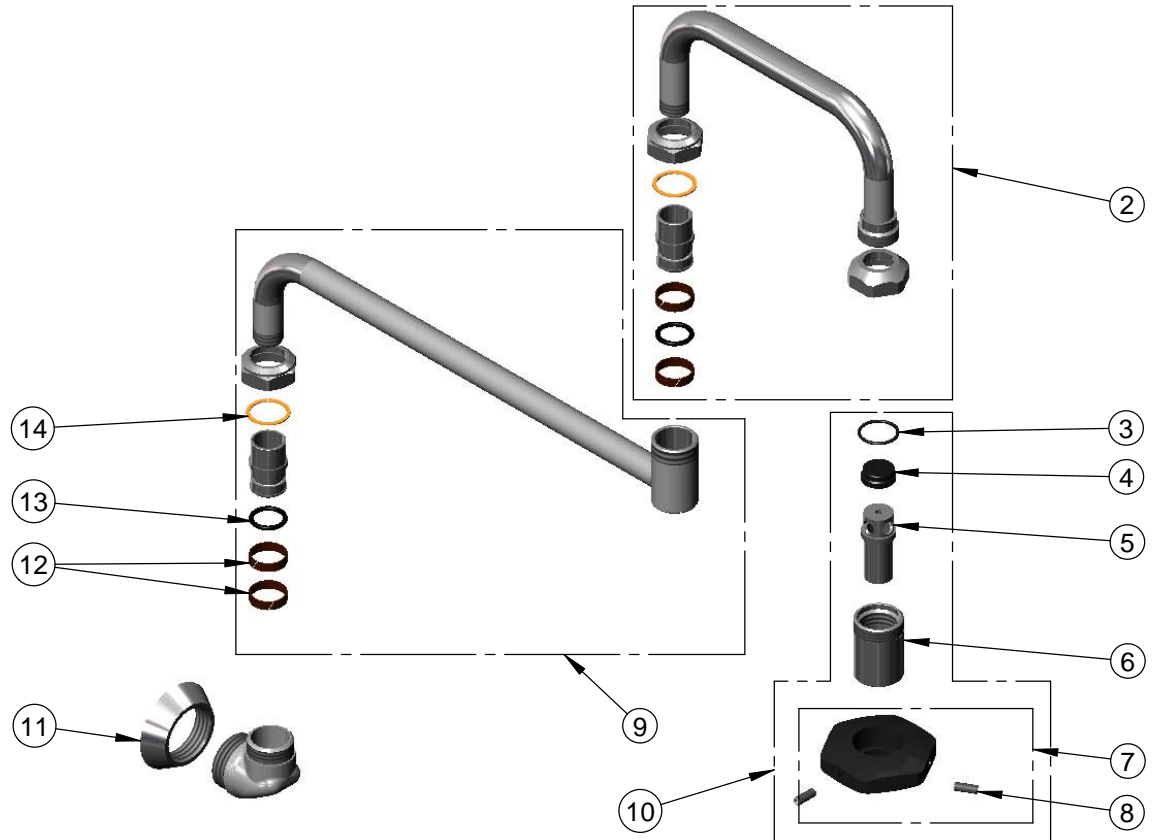
Item No.

Travelers Rest, SC: 800-476-4103 Simi Valley, CA: 800-423-0150 Fax: 864-834-3518 www.tsbrass.com



Additional View for Bill Of Material Clarification

ITEM NO.	SALES NO.	DESCRIPTION
1	002848-40	Dbl Jt Nozzle Asm 18"
2	002870-40	6" Front Section Asm
3	003426-45	O-Ring
4	001089-45	Seal
5	001498-25	Spout
6	000587-25	Spout Body
7	001126-20	Handle
8	000936-45	Handle Set Screw
9	002871-40	12" Back Section Asm
10	035A	Outlet Assembly
11	000101-40	Flange
12	011429-45	Swivel Sleeve (2)
13	001074-45	O-Ring
14	009538-45	Swivel Washer



Product Specifications:

Pot Filler w/ 18" Double Joint Swing Nozzle, Heat Resistant Handle, 1/2" NPT Female Inlet

Drawn KJG	Checked JRM	Approved JHB
Scale: NTS		Date: 09/16/10