



T&S BRASS AND BRONZE WORKS, INC.

2 Saddleback Cove / P.O. Box 1088
Travelers Rest, SC 29690



REG. #A2601
ISO #9001

Model No.

B-1111

Item No.

Travelers Rest, SC: 800-476-4103 • Simi Valley, CA: 800-423-0150 • Fax: 864-834-3518 • www.tsbrass.com

This Space for Architect/Engineer Approval

Job Name _____ Date _____

Model Specified _____ Quantity _____

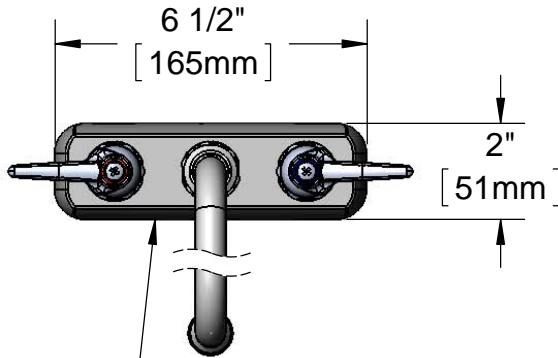
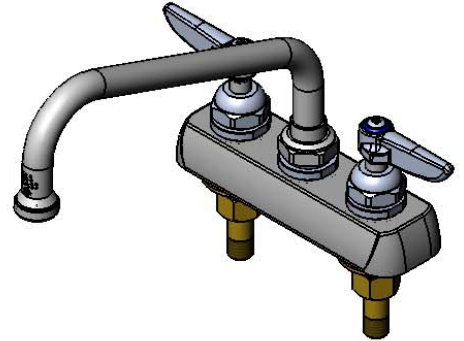
Customer/Wholesaler _____

Contractor _____

Architect/Engineer _____



ADA Compliant

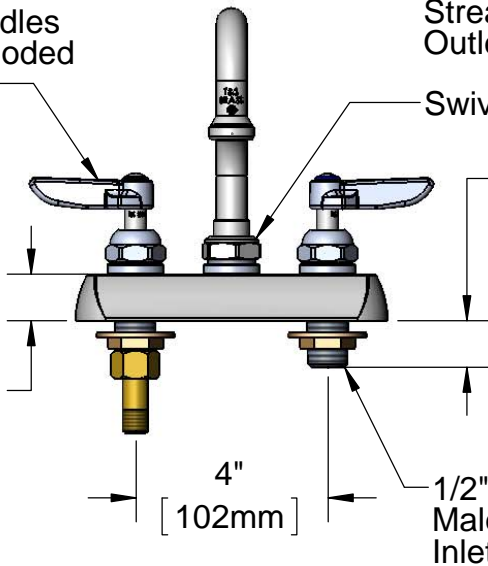
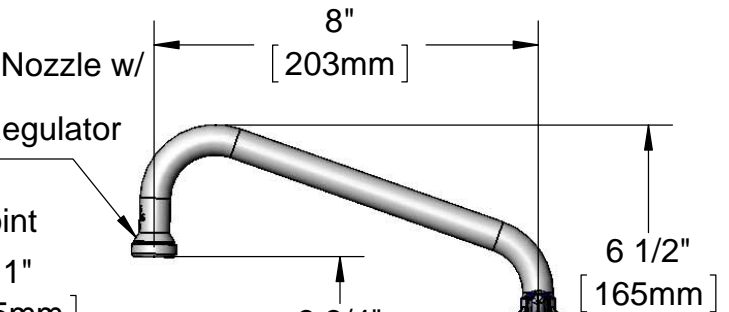


Polished Chrome Plated Escutcheon

Lever Handles w/ Color Coded Indexes

060X 8" Swing Nozzle w/ B-PT Stream Regulator Outlet

Swivel Joint



Mounting Surface

Fits Surfaces up to 1/4" [6mm] Maximum Thickness

150A Tailpiece & Nut Furnished For 1/4" NPT Connection

Note: Rough-In Requirement
(2) Ø 1" [25mm] Mounting Holes

Product Specifications:
4" Centers Workboard Faucet w/ 1/2" NPT Male Shank Inlets, Lever Handles & 8" Swing Nozzle w/ B-PT Stream Regulator Outlet

Drawn

DHL

Checked

KJG

Approved

JHB

Scale:

1:4

Date:

07/01/11



T&S BRASS AND BRONZE WORKS, INC.

2 Saddleback Cove / P.O. Box 1088
Travelers Rest, SC 29690



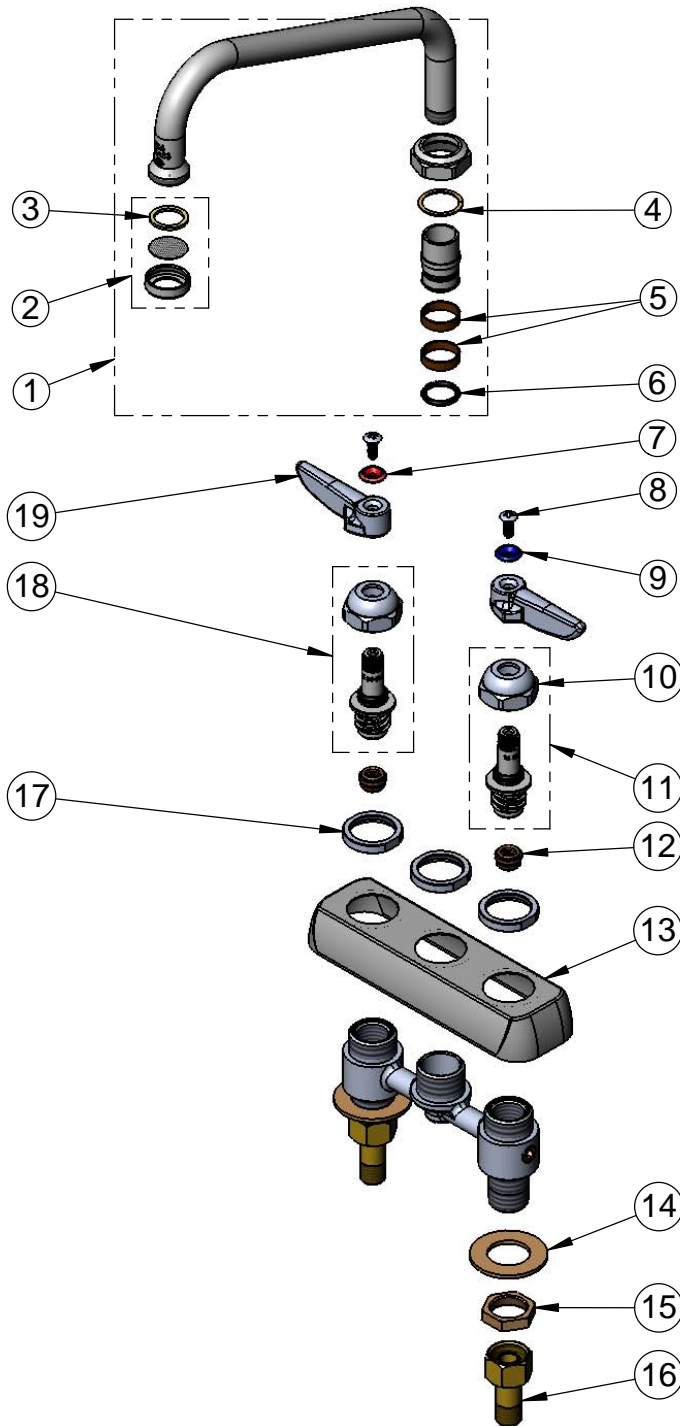
REG. #A2601
ISO #9001

Model No.

B-1111

Item No.

Travelers Rest, SC: 800-476-4103 • Simi Valley, CA: 800-423-0150 • Fax: 864-834-3518 • www.tsbrass.com



ITEM NO.	SALES NO.	DESCRIPTION
1	060X	8" Swing Nozzle w/ B-PT Stream Regulator
2	B-PT	Stream Regulator
3	001048-45	Nozzle Tip Washer
4	009538-45	Swivel Washer
5	011429-45	Swivel Sleeves (2)
6	001074-45	O-Ring
7	001661-45	Red Index-HW
8	000922-45	Lever Handle Screw
9	001660-45	Blue Index-CW
10	009749-25	Bonnet Nut
11	009754-25	B-1100 LH Spindle Assembly
12	000763-20	Seat
13	001258-40	Escutcheon
14	000999-45	Brass Lock Washer
15	002954-45	Shank Lock Nut
16	150A	Bag of (1) Nut & (1) Tailpiece
17	000712-25	Escutcheon Lock Nut
18	009753-25	B-1100 RH Spindle Assembly
19	001638-45	Lever Handle

Product Specifications:

4" Centers Workboard Faucet w/ 1/2" NPT Male Shank Inlets, Lever Handles & 8" Swing Nozzle w/ B-PT Stream Regulator Outlet

Drawn

DHL

Checked

KJG

Approved

JHB

Scale:

NTS

Date:

07/01/11