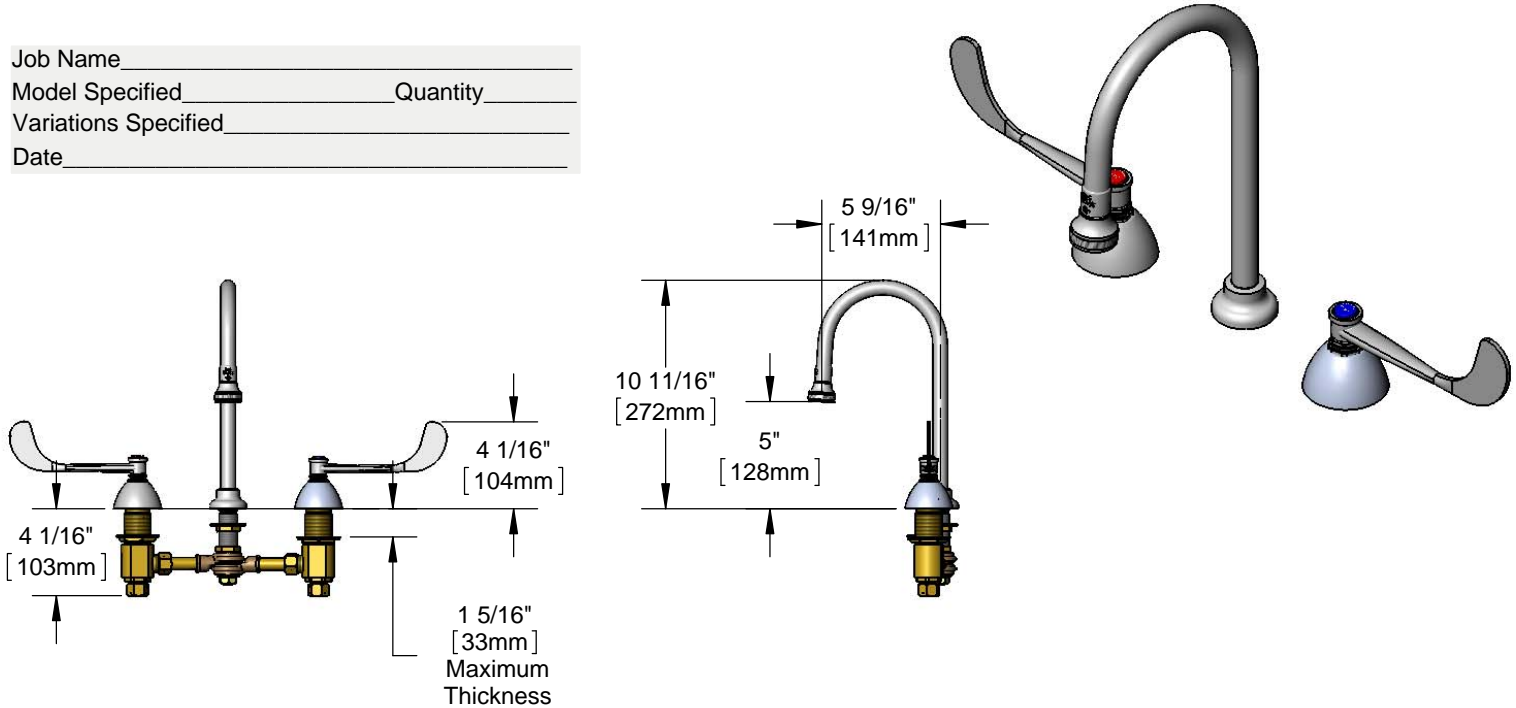




Architect/Engineering Specifications:

8" adjustable center, deck mount mixing faucet, 5 9/16" rigid gooseneck with rosespray outlet, compression cartridges, 6" wrist action handles, chrome plated escutcheons and 1/2" NPSM male inlets. Certified to ASME A112.18.1/CSA B125.1, NSF 61-Section 9 and NSF 372. Meets ADA ANSI/ICC A117.1 requirements.

Job Name _____
 Model Specified _____ Quantity _____
 Variations Specified _____
 Date _____



Features & Benefits:

- 8" (max.) adjustable center, deck mount mixing faucet
- 5 9/16" rigid gooseneck
- Rosespray outlet, Series 2
- 6" wrist action handles with color coded indexes
- Eterna compression cartridges
- 1/2" NPSM male inlets with coupling nuts
- Material: Brass body, chrome plated metal escutcheons, chrome plated brass tubular spout and handles

Product Compliance:

- ASME A112.18.1 / CSA B125.1
- NSF 61 - Section 9
- NSF 372 (Low Lead Content)
- ANSI A117.1 (ADA)

Warranty: One Year (Limited)

Performance Data:

- Pressure: 20 - 125 psi
- Temperature: 40 °F - 140 °F
- Flow Rate: 9.56 GPM @ 60 psi



ADA Compliant

Optional Outlets (Series 2 / VR Series 7)

| GPM | Aerated | Non-Aerated (Laminar) | VR Aerated | VR Non-Aerated (VR Laminar) | Optional Handles | Optional Cartridges |
|------|--|---|--|---|--|--|
| 0.35 | N/A | <input type="checkbox"/> B-0199-02-N035 | N/A | <input type="checkbox"/> B-0199-07-N035 | <input type="checkbox"/> 4" Wrist Action | <input type="checkbox"/> Quarter-Turn Cerama |
| 0.5 | N/A | <input type="checkbox"/> B-0199-02-N05 | N/A | <input type="checkbox"/> B-0199-07-N05 | <input type="checkbox"/> Lever | <input type="checkbox"/> Eterna (Standard) |
| 1.0 | <input type="checkbox"/> B-0199-02-F10 | N/A | <input type="checkbox"/> B-0199-07-F10 | N/A | <input type="checkbox"/> 4-Arm | <input type="checkbox"/> Quarter-Turn Eterna |
| 1.2 | <input type="checkbox"/> B-0199-02-F12 | N/A | <input type="checkbox"/> B-0199-07-F12 | N/A | | <input type="checkbox"/> Push Button Metering |
| 1.5 | <input type="checkbox"/> B-0199-02-WS | N/A | <input type="checkbox"/> B-0199-07-WS | N/A | | <input type="checkbox"/> Pivot Action Metering |
| 2.2 | <input type="checkbox"/> B-0199-02 | N/A | <input type="checkbox"/> B-0199-07 | N/A | | <input type="checkbox"/> Wrist Action Metering |

