



Architect/Engineering Specifications:

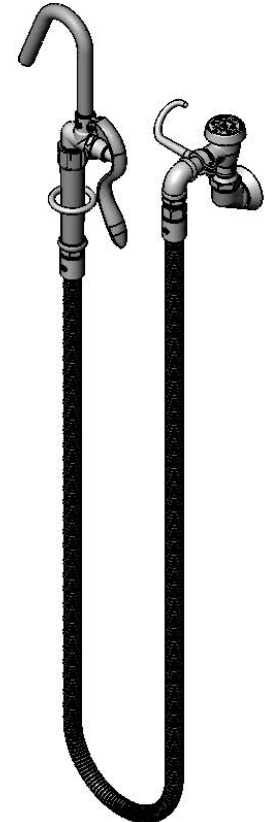
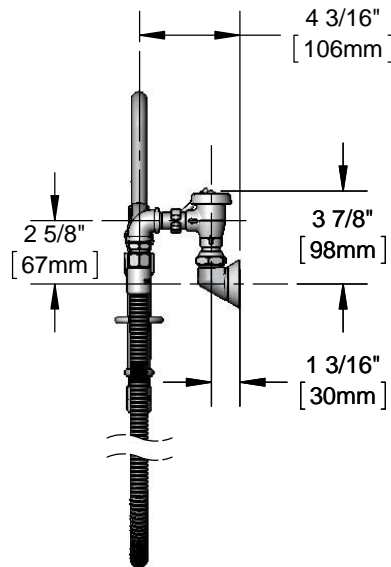
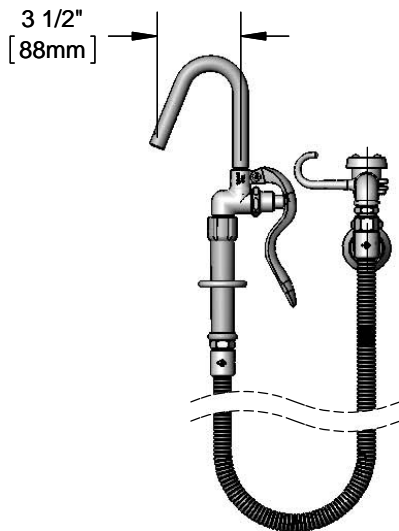
Wall mount pot and kettle filler, chrome plated brass body with single control, atmospheric vacuum breaker, 68" flexible stainless steel hose, spray valve with hook nozzle and 1/2" NPT female inlet. Certified to ASME A112.18.1/CSA B125.1, NSF 61-Section 9, NSF 372 and ASSE 1001.

Job Name _____

Model Specified _____ Quantity _____

Variations Specified _____

Date _____



Features & Benefits:

- Wall mount pot and kettle filler
- Atmospheric vacuum breaker
- 68" flexible stainless steel hose w/ heat resistant gray handle and hold down ring
- Spray valve with hook nozzle
- 1/2" NPT female inlet with $\phi 2"$ wall flange
- Material: Polished chrome plated brass spray valve body and stainless steel hose

Product Compliance:

- ASME A112.18.1 / CSA B125.1
- NSF 61 - Section 9
- NSF 372 (Low Lead Content)
- ASSE 1001 (VB)

Warranty: One Year (Limited)

Performance Data:

- Pressure: 20 - 125 psi
- Temperature: 40°F - 140°F
- Flow Rate: 4.80 GPM @ 60 psi

