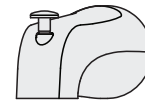
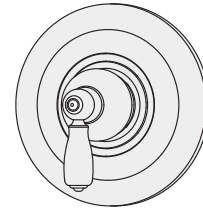


Location:

SYMMONS® Allura™

Tub and Shower System 4702 Specification Submittal



Feature Highlights

- Symmons tub and shower system with a lever handle.
- Symmons Temptrol® pressure balancing mixing valve with adjustable stop screw to limit handle turn.
- Three mode showerhead, #4-143
- Flow rate 2.5 gpm (9.5 L/min)
- Showerhead arm and flange
- Diverter tub spout, zinc 5-1/2"
- Polished chrome finish (standard)

Model Numbers

- 4702..... Tub and Shower System with Symmons Temptrol® pressure balancing mixing valve p/n 4002-BODY
- 4702-TRM..... Trim only, valve and diverter must be ordered separately
- 4000-BODY..... Symmons Temptrol® pressure balancing mixing valve without trim
- 4000-X-BODY... Symmons Temptrol® pressure balancing mixing valve without trim. Valve includes integral service stops to allow water shut-off for service.

Finish Options / Modifications

Append appropriate -suffix to model number.

- STN Satin nickel
- Polished chrome (standard finish)

Warranty

- Limited Lifetime - to the original end purchaser in consumer installations.
- 5 years - for commercial installations

Options / Modifications

Append appropriate -suffix to model number.

- IPS 1/2 inch female IPS connections on Symmons Temptrol® mixing valve
- X Symmons Temptrol® pressure balancing mixing valve includes integral service stops to allow water shut-off for service, p/n 4000-X-BODY. (Option only applies when ordering model 4702)
- L/HD Showerhead not included
Includes showerhead arm and flange only
- VP Showerhead is vandal resistant (only available with standard 2.5 gpm flow rate)
- 2.0 2.0 (7.6 L/min) flow rate restrictor
- 1.5 1.5 (5.7 L/min) flow rate restrictor
- LAM Metal finish insert handle



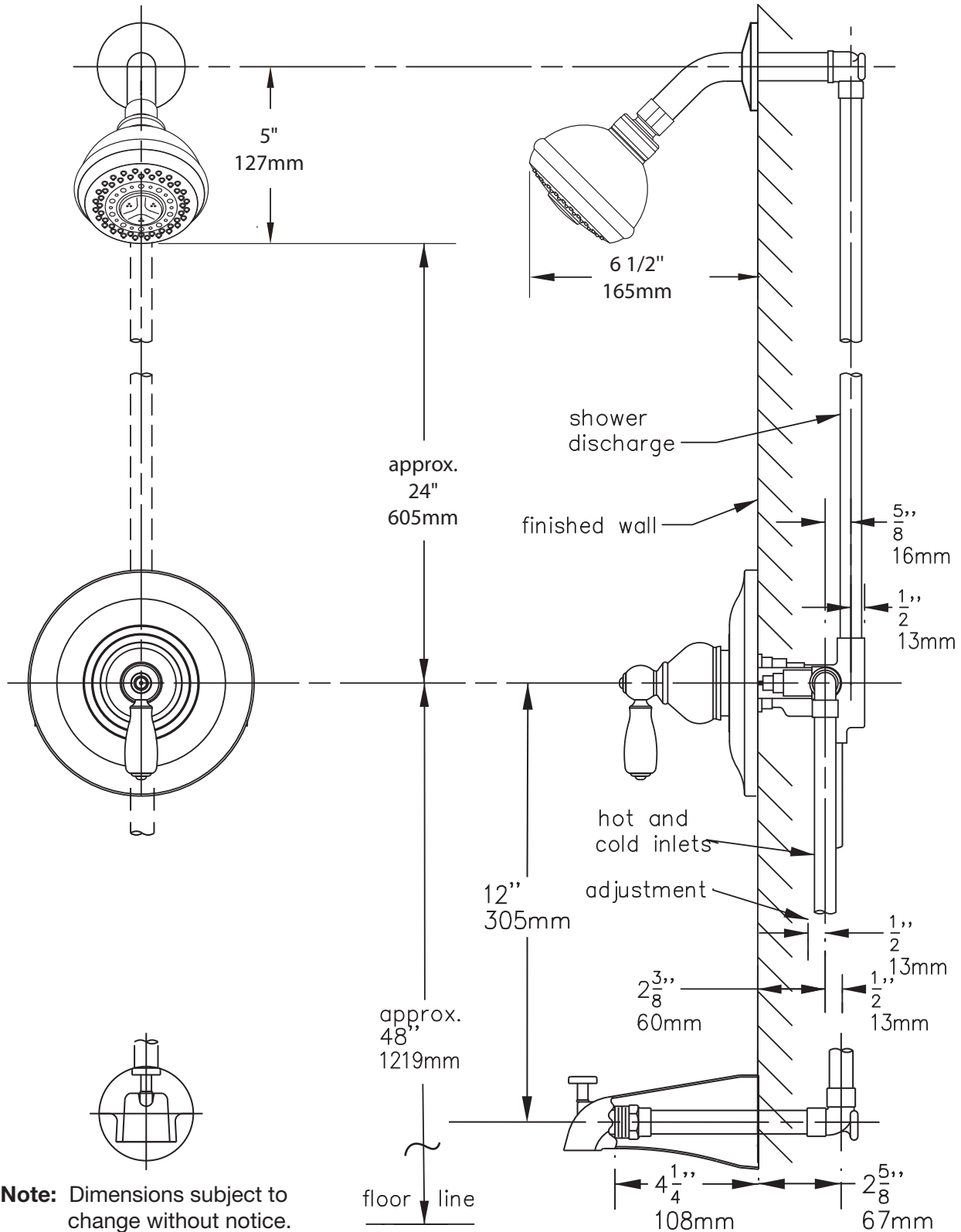
- LR Lever handle



Standards / Certifications

ASME A112.18.1-2005/CSA B125.1

Dimensions Allura Tub and Shower System, 4702



Note: Dimensions subject to change without notice.

Symmons Industries, Inc. ■ 31 Brooks Drive ■ Braintree, MA 02184
 Phone: (800) 796-6667 ■ Fax (800) 961-9621
 Website: www.symmons.com ■ Email: gethelp@symmons.com

Copyright © 2016 Symmons Industries, Inc. ■ 010516 REV A ■ ZV-1501

SYMMONS®