



Location:



SYMMONS® Elm™
Hand Shower System 5503
Specification Submittal



Feature Highlights

- Symmons Hand Shower System with lever handle
- Symmons Temptrol® pressure-balancing mixing valve with adjustable stop screw to limit handle turn
- Screwless escutcheon
- Wall/hand shower #552HS, three mode, with 5 foot flexible metal hose, dual checks, wall connection and cradle for hand shower mounting
- Standard flow rate is 2.5 gpm (9.5 L/min)
Optional lower flow rate restrictor available 
- Polished chrome finish (standard)

Model Numbers

- 5503
Hand Shower System with Symmons Temptrol® mixing valve p/n 4000-BODY
- 5503-TRM
Trim only, mixing valve ordered separately
- 4000-BODY
Symmons Temptrol® mixing valve without trim
- 4000-X-BODY
Symmons Temptrol® mixing valve without trim. Valve includes integral service stops to allow water shut-off for service

Finish Options / Modifications

Append appropriate -suffix to model number



- STN Satin Nickel
- SBZ Seasoned Bronze
- Polished Chrome (standard finish)

Standards / Certifications

ASME A112.18.1; CSA B125.1
Americans with Disabilities Act (ADA) compliant

Options / Modifications

Append appropriate -suffix to model number

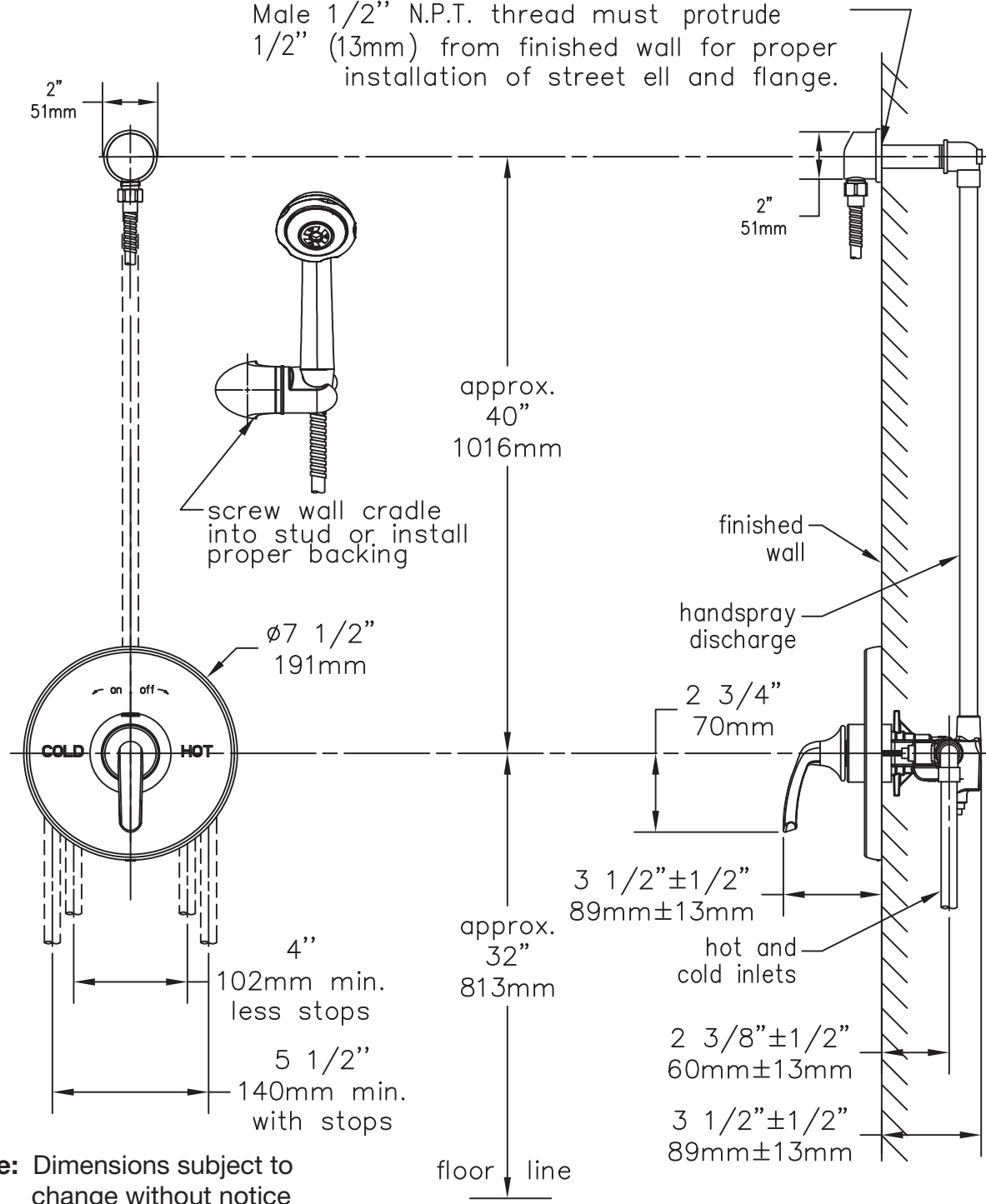
- IPS 1/2 inch female IPS connections on Symmons Temptrol® mixing valve
- X Integral service stops included with Temptrol mixing valve to allow water shut-off for service, p/n 4000-X-BODY (*option only applies when ordering model 5503*)
- CHKS Check Stops: Temptrol® mixing valve includes integral check stops (*Requires integral service stops, suffix -X. Used in installations where a positive shut-off device is used downstream of mixing valve.*)
- REV Reverse core: Temptrol® mixing valve with reverse core. (*Requires integral service stops, suffix -X. Used in back-to-back system installations. HOT on the right, COLD on the left*)
-  -2.0 2.0 gpm (7.6 L/min) flow rate restrictor
-  -1.5 1.5 gpm (5.7 L/min) flow rate restrictor
- L/HS Hand Shower wand not included (*includes hose, in-line vacuum breaker, wall connections and flange only*)
- 552HSB 30" slide bar in place of wall cradle on hand shower units
- 48 48 inch slide bar instead of 30 inch when ordering 552HSB Hand Shower
- 72 6 foot flexible metal hose in place of 5 foot
- R60 5 foot vinyl hose in place of flexible metal hose
- R72 6 foot vinyl hose in place of flexible metal hose
- QD Quick-disconnect at hand shower wall connection

Warranty

- Limited Lifetime - to the original end purchaser in consumer installations
- 5 years - for commercial installations

Dimensions Elm Hand Shower System, 5503

Male 1/2" N.P.T. thread must protrude 1/2" (13mm) from finished wall for proper installation of street ell and flange.



Note: Dimensions subject to change without notice