

Location:



Towel Shelf 353TS-22

Specification Submittal



Model Numbers

- 353TS-22 Towel Shelf

Finish Options

Append appropriate *-suffix to model number.*

- STN Satin nickel finish

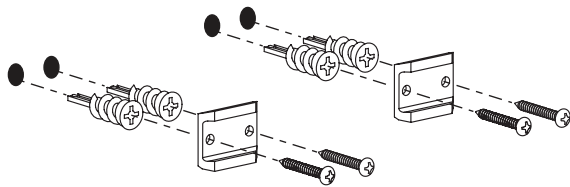
Feature Highlights

- Metal construction
- Mounting hardware included
- Standard finish is polished chrome

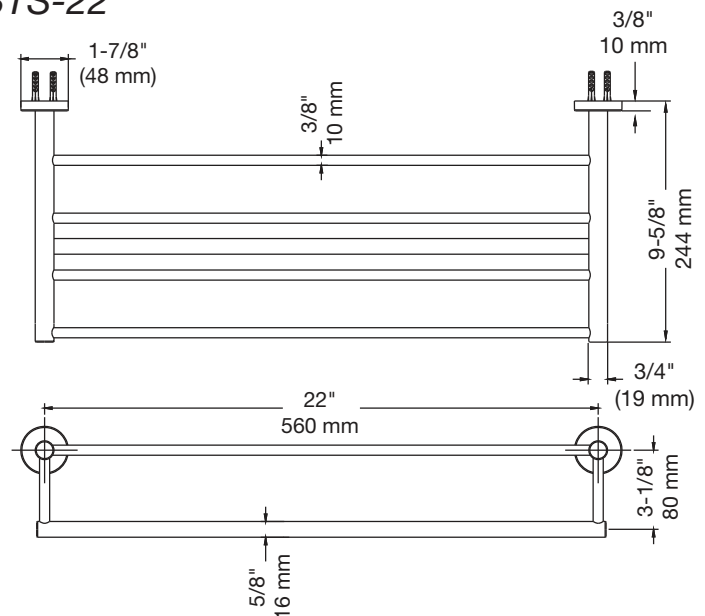
Warranty

- Limited Lifetime - to the original end purchaser in residential/consumer installations.
- 5 years - for commercial installations

Dimensions *Dia Towel Shelf, 353TS-22*



Note: Optional tile anchors provided



Note: Dimensions subject to change without notice