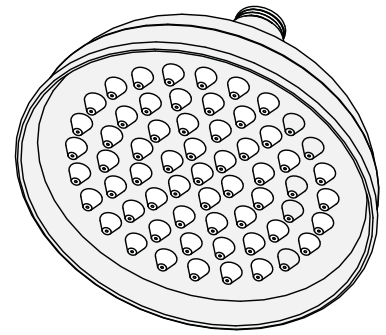




SYMMONS®

Rain Showerhead, 4-166

Specification Submittal



Model Numbers

- 4-166 6" Rain Showerhead

Options / Modifications

Append appropriate -suffix to model number.

- 2.0 2.0 (7.6 L/min) Flow rate restrictor

Finish Options / Modifications

Append appropriate -suffix to model number.

- STN Satin nickel
- Polished chrome finish (standard)

Product Highlights

- Single mode showerhead
- Ball joint connection
- Standard flow rate is 2.5 gpm (9.5 L/min)
- Polished Chrome finish

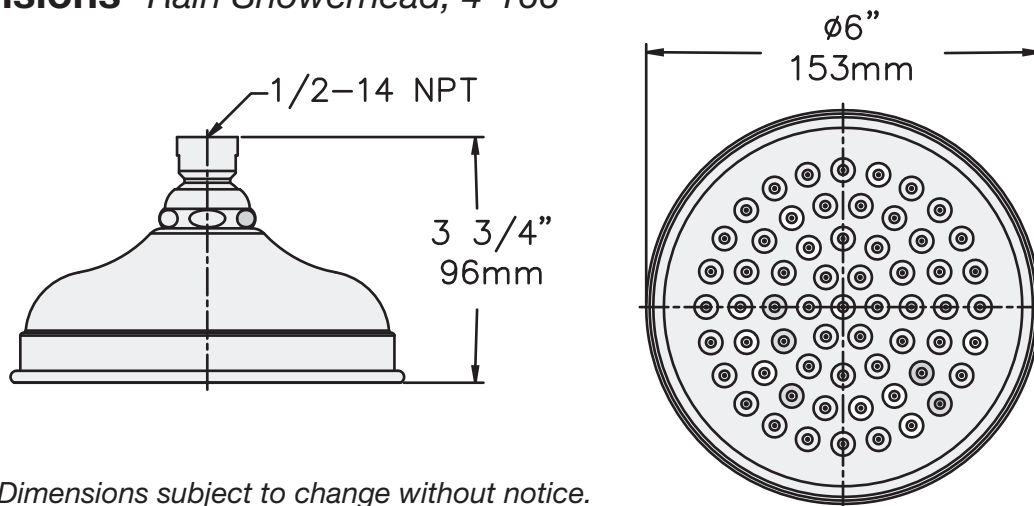
Standards / Certifications

ASME A112.18.1-2005/CSA B125.1-05

Warranty

- **Limited Lifetime** - to the original end purchaser in residential / consumer installations.
- **5 years** - for commercial installations

Dimensions Rain Showerhead, 4-166



Note: Dimensions subject to change without notice.

Symmons Industries, Inc. ■ 31 Brooks Drive ■ Braintree, MA 02184
 (800) 796-6667, (781) 848-2250 ■ Fax (800) 961-9621, (781) 843-3849
 Website: www.symmons.com ■ Email: customerservice@symmons.com

©2008 Symmons Industries, Inc. Printed in U.S.A. ■ 020609



SYMMONS®
the smart choice™