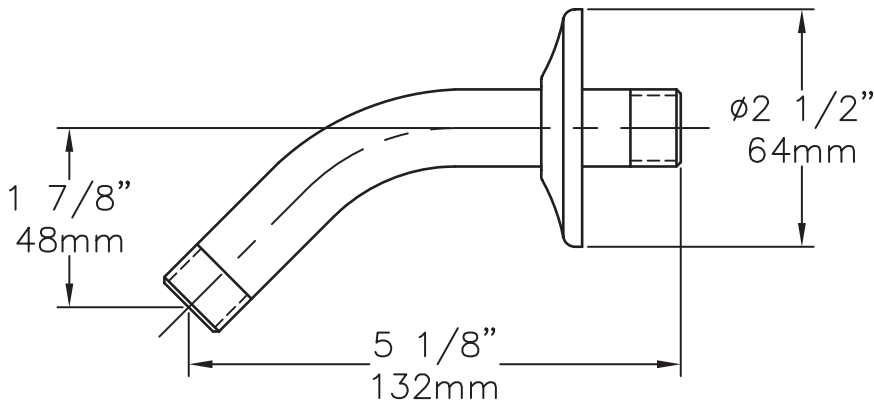


300S Shower Arm

Symmons short shower arm with stamped flange.



Job/Location

.....
.....

Engineer

.....
.....

Contractor

.....
.....

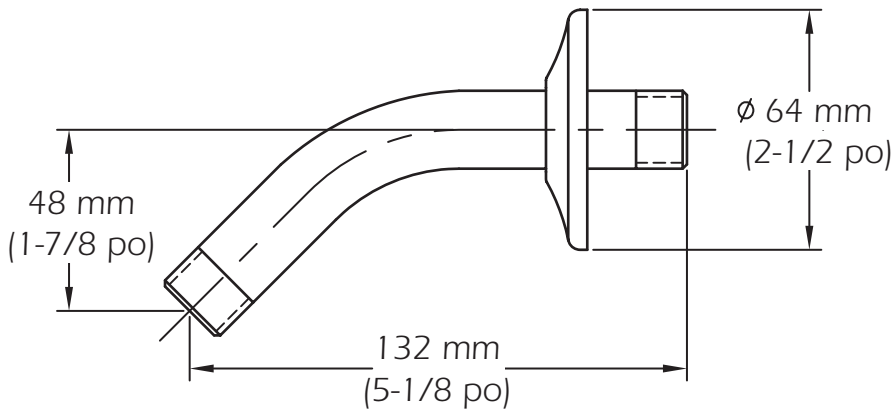
Symmons Industries, Inc. ■ 31 Brooks Drive ■ Braintree, MA 02184
Phone: (800) 796-6667 ■ Fax: (800) 961-9621
Website: symmons.com ■ Email: gethelp@symmons.com

Copyright © 2018 Symmons Industries, Inc. ■ ZV-1876 REV A ■ 050218



300S Bras de douche

Bras de douche court Symmons avec bride plate.



Projet/lieu

.....
.....

Ingénieur

.....
.....

Entrepreneur

.....
.....