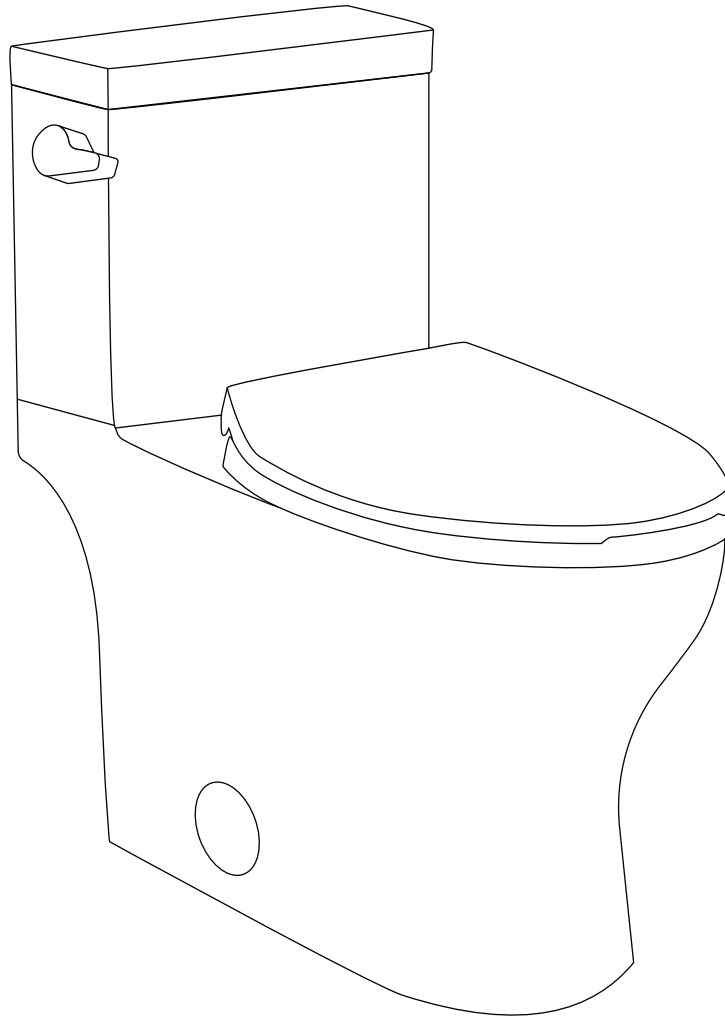


# INSTALLATION INSTRUCTIONS

*Swiss Madison*<sup>®</sup>  
well made forever

## Classe Two-Piece Elongated Toilet SM-2T130



Share your pictures for a feature  
using **#SwissMadison**





## Prior to Installation:

- Inspect toilet to ensure no damages have occurred while in shipping.
- Observe all plumbing and building codes in accordance with your state and local requirements.
- Remove old toilet.
- Make sure mounting surface is CLEAN and LEVEL.
- All dimensions are nominal! Be sure to measure your toilet prior to installation.

**General Recommendation:** Read installation and maintenance instructions thoroughly before installing. Be sure to use proper tools and always wear proper personal safety accessories for your protection.

If you have any questions or concerns please contact us:

1-434-623-4766

[info@swissmadison.com](mailto:info@swissmadison.com)

## Thank you for your purchase!

Thank you for purchasing a Swiss Madison Two-Piece Toilet.

We appreciate your business and know you will enjoy your toilet for many years to come.

If you have any questions or require assistance we would be happy to help,  
please contact us at 1-434-6234766 or [info@swissmadison.com](mailto:info@swissmadison.com).

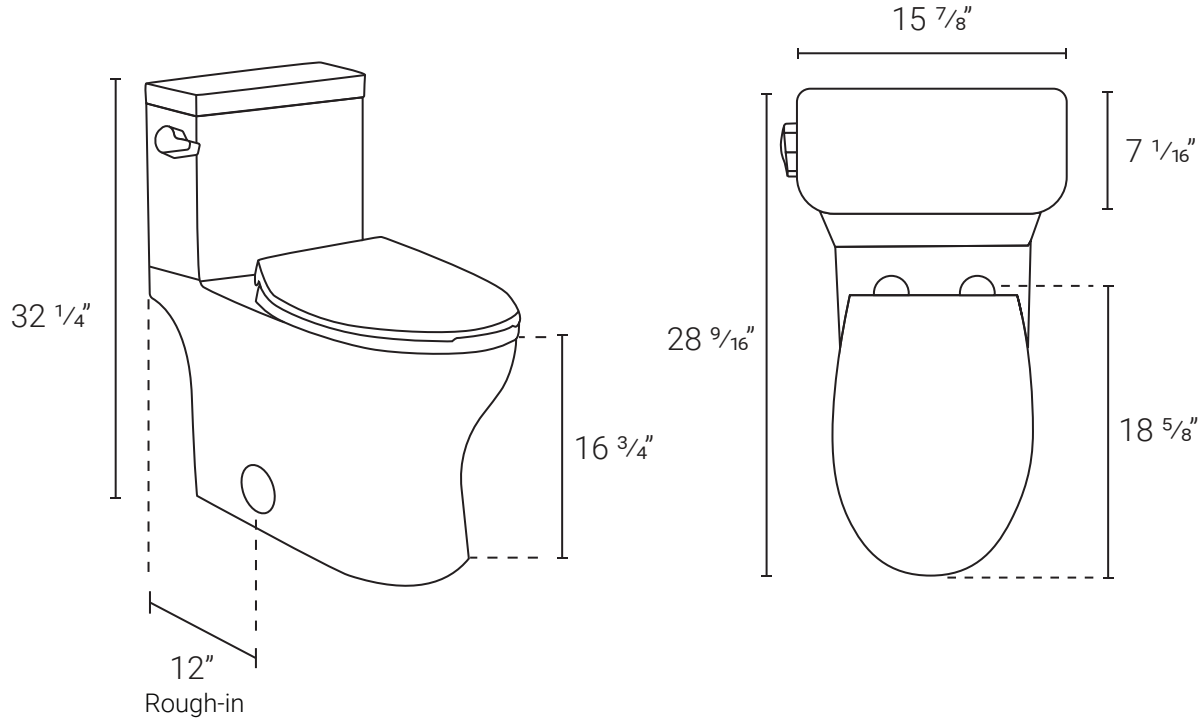
To learn more about our products, please visit:

**[www.swissmadison.com](http://www.swissmadison.com)**

Sincerely,

The Swiss Madison Team

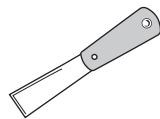
NOTE: Distance from wall to closet flange centerline must be listed as below.



## SUGGESTED TOOLS AND MATERIALS



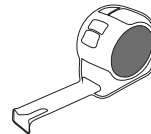
Safety Glasses



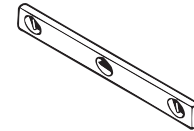
Putty Knife



Wrench



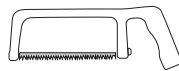
Tape Measure



Level



Flexible Supply Tube



Hacksaw



Screwdriver

## PARTS LIST

- Two-Piece Toilet
- Wax Ring / Gasket
- Bolts
- Side Cover Caps

NOTE: Specialized tools may be necessary to install a Swiss Madison Two-Piece Toilet, plumbing not included.  
NOTE: All measurements are nominal.

The step-by-step guidelines in the installation instructions are a general reference for installing a Swiss Madison Two-Piece Toilet.  
Should there be any discrepancies, Swiss Madison cannot be held liable.  
It is recommended to install all Swiss Madison products by hiring a licensed professional

- i**
1. Read the complete instruction manual before beginning installation.
  2. Confirm that your model will fit in intended location and plumbing fixtures are located where legally required before beginning installation.
  3. Not all drawings on this manual are drawn to scale. Please refer to the model chart.
  4. Two people are recommended to install and move this product.
  5. Product is FRAGILE! To avoid breakage and possible injury handle with care.

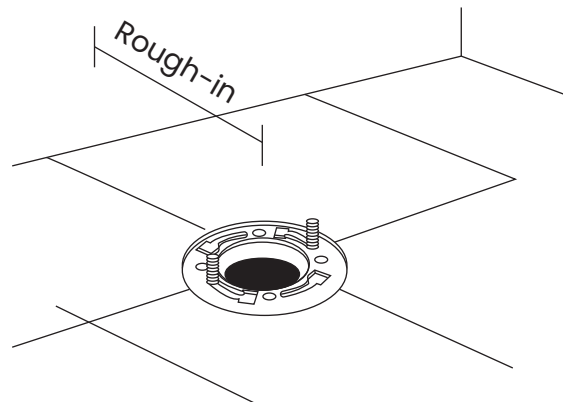
## 1. Remove Old Toilet

- Close toilet supply valve and flush tank completely, use towel or sponge to remove excess water.
- Disconnect and remove supply line. If you are replacing the valve, shut off the main water supply first.
- Remove old mounting hardware, remove toilet and plug floor waste opening to prevent escaping gas.
- Remove closet bolts from flange and clean away old wax, putty, etc. from base area.

## 2. Rough-in the Toilet

- Using the measurements on the previous page find the toilet's rough-in.
- Measure the wall from behind the toilet to the middle of the closet bolt.

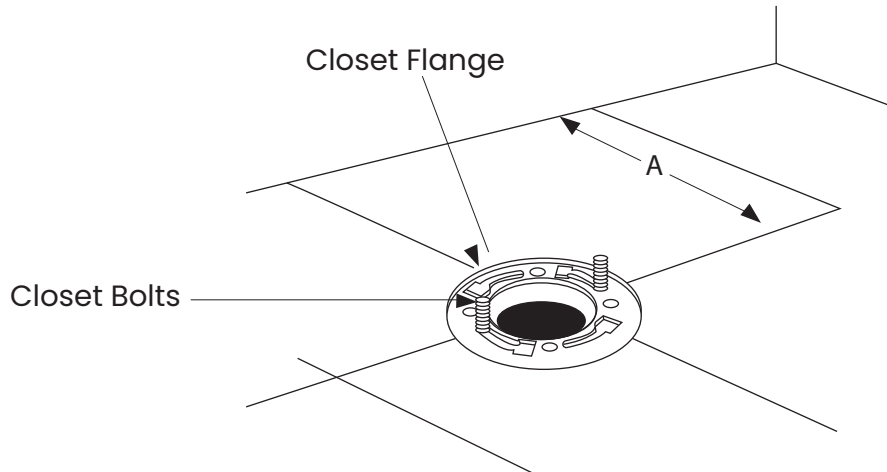
**NOTE:** Your rough-in measurement should be around 12".



**NOTE:** Drawings may not exactly define contour of china.

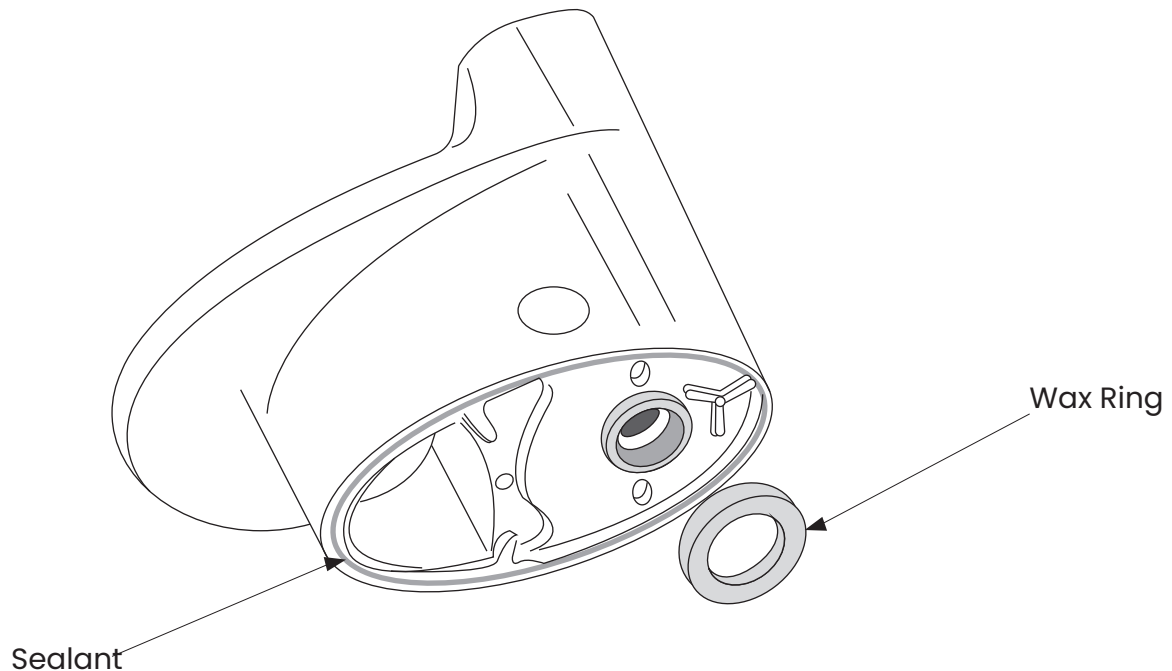
### 3. Install Closet Bolts

- Install closet bolts to flange channel, turn 90° and slide into place 6" (152 mm) apart and parallel to wall.



### 4. Install Wax Seal

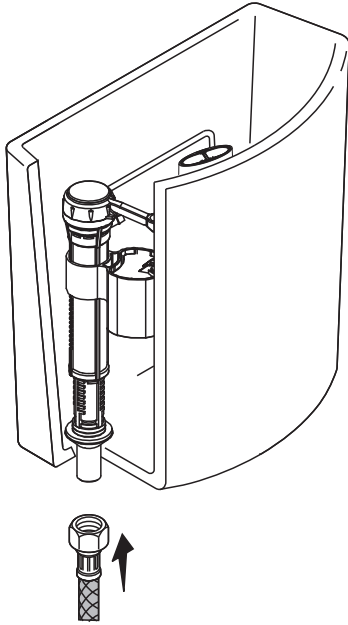
- Invert toilet on floor (use cushion to prevent damage), and install wax ring evenly around waste flange with tapered end of ring facing toilet. Apply a thin bead of sealant around toilet base.



NOTE: Drawings may not exactly define contour of china.

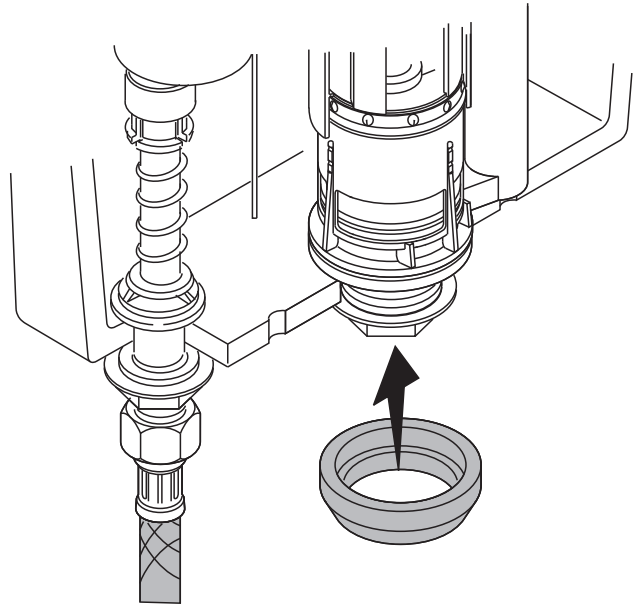
## 5. Connect Supply Hose

- Thread the supply hose onto the tank.



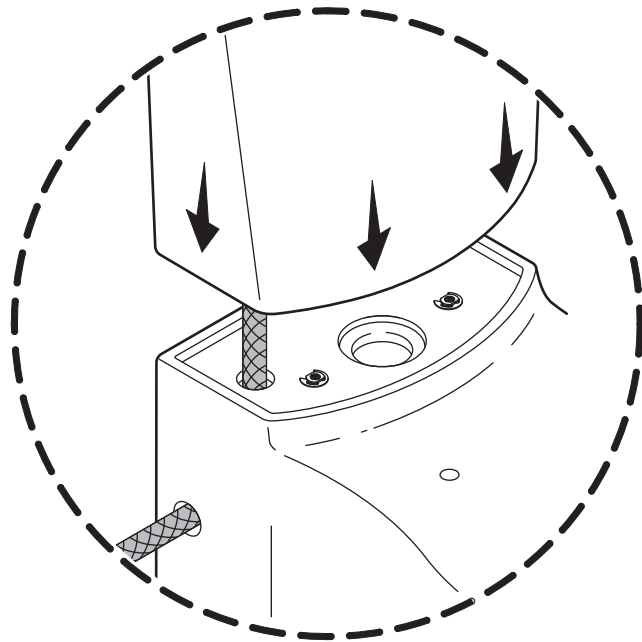
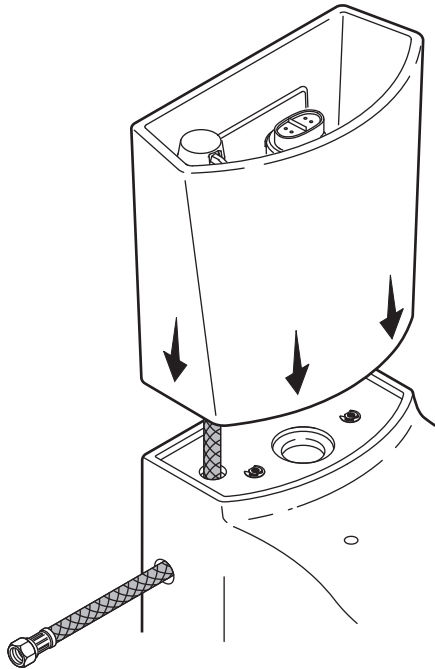
## 6. Attach Gasket

- Position the gasket on the bowl inlet.



## 7. Position Tank onto Bowl

- Holes should line up so threaded rod can fit smoothly, connecting the cistern body to the bowl.

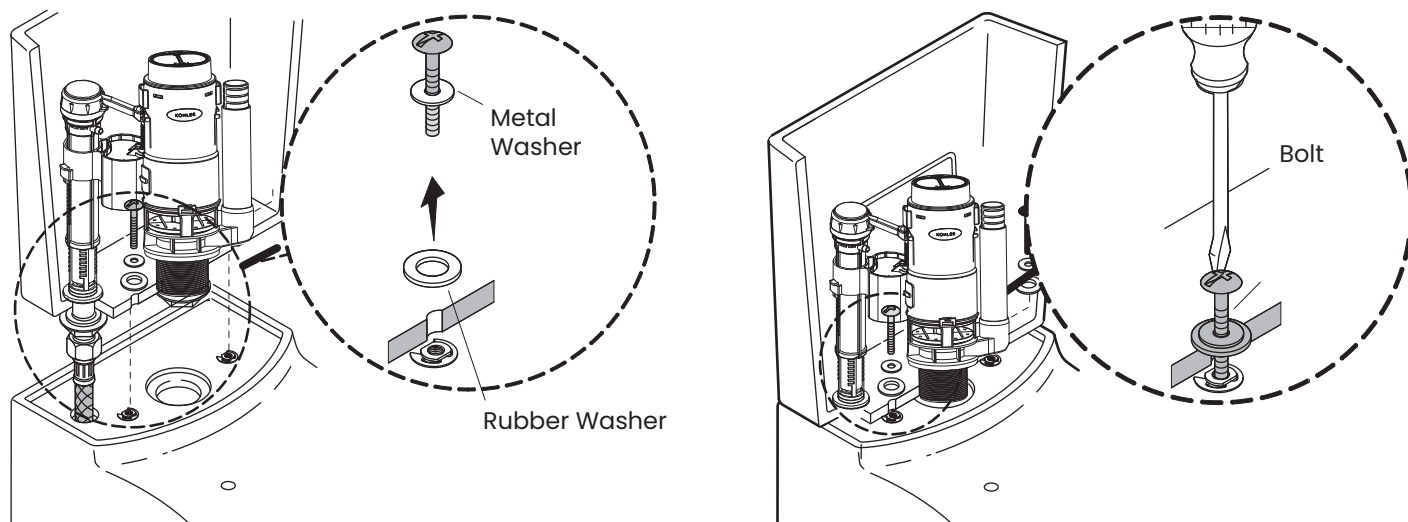


NOTE: Drawings may not exactly define contour of china.

## 8. Secure Tank to Bowl

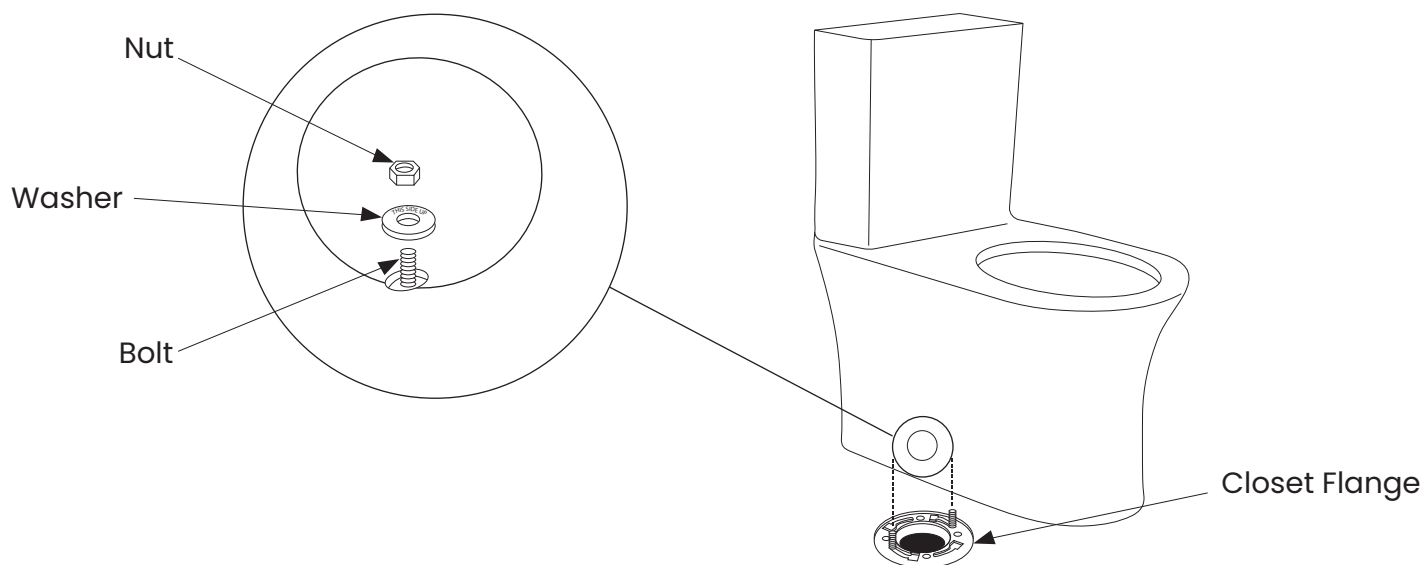
- Slide the metal washer and the rubber washer onto the bolt.
- Thread the bolts into the bottom of the tank tighten the bolts using a screwdriver.

**NOTE:** Do not overtighten! Overtightening can lead to the ceramic cracking.



## 9. Position Toilet on Flange

- Unplug floor waste opening and install toilet on closet flange so bolts project through mounting holes.
- Loosely install retainer washers and nuts. Side of washers marked "THIS SIDE UP" must face up!



**NOTE:** Drawings may not exactly define contour of china.

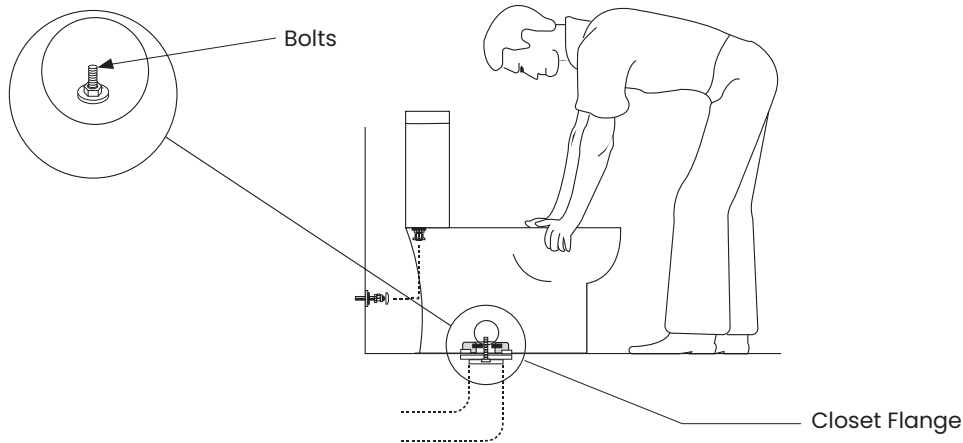


## 10. Install Toilet

- Position toilet squarely to wall and, with a rocking motion, press bowl down fully on wax ring and flange. Alternately tighten nuts until toilet is firmly sealed to the floor.

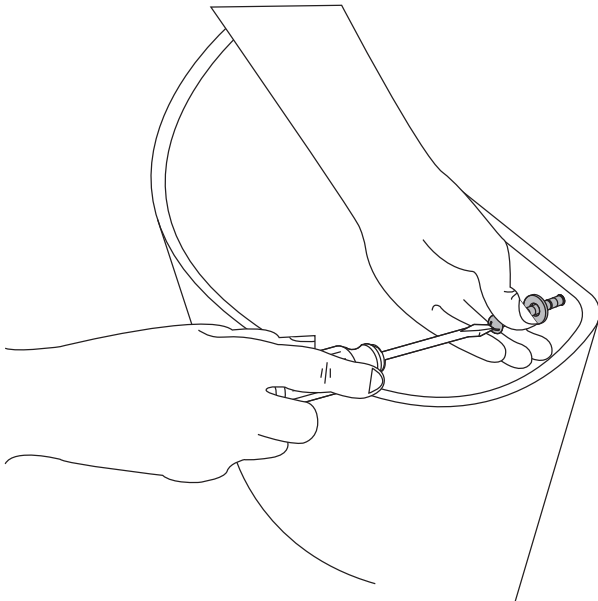
**NOTE:** Do not overtighten! Overtightening can lead to the ceramic cracking.

- Adhere bolt covers to toilet.
- Smooth off the bead of sealant around the base. Remove excess sealant.



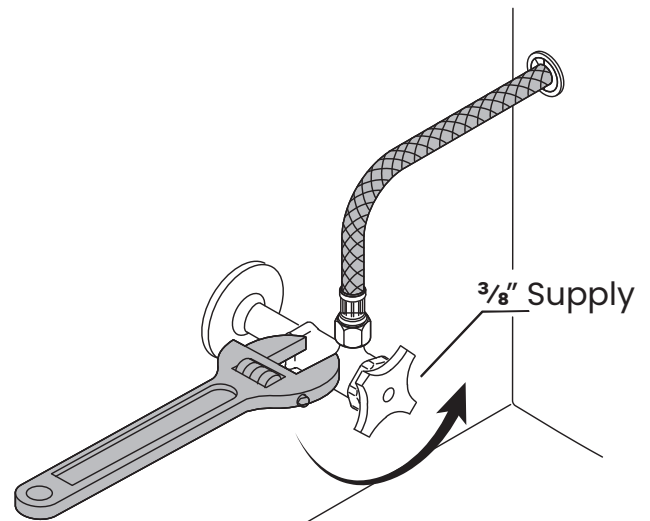
## 11. Secure Tank

- Use screws and washers to affix the tank to the wall.
- Tighten to secure into place, do not over tighten.



## 12. Connect Plumbing

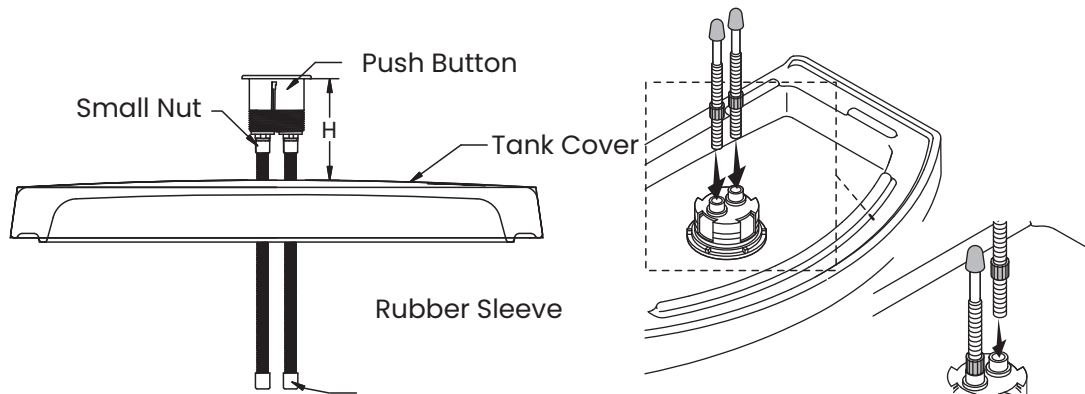
- Connect water supply and turn on water.



**NOTE:** Drawings may not exactly define contour of china.

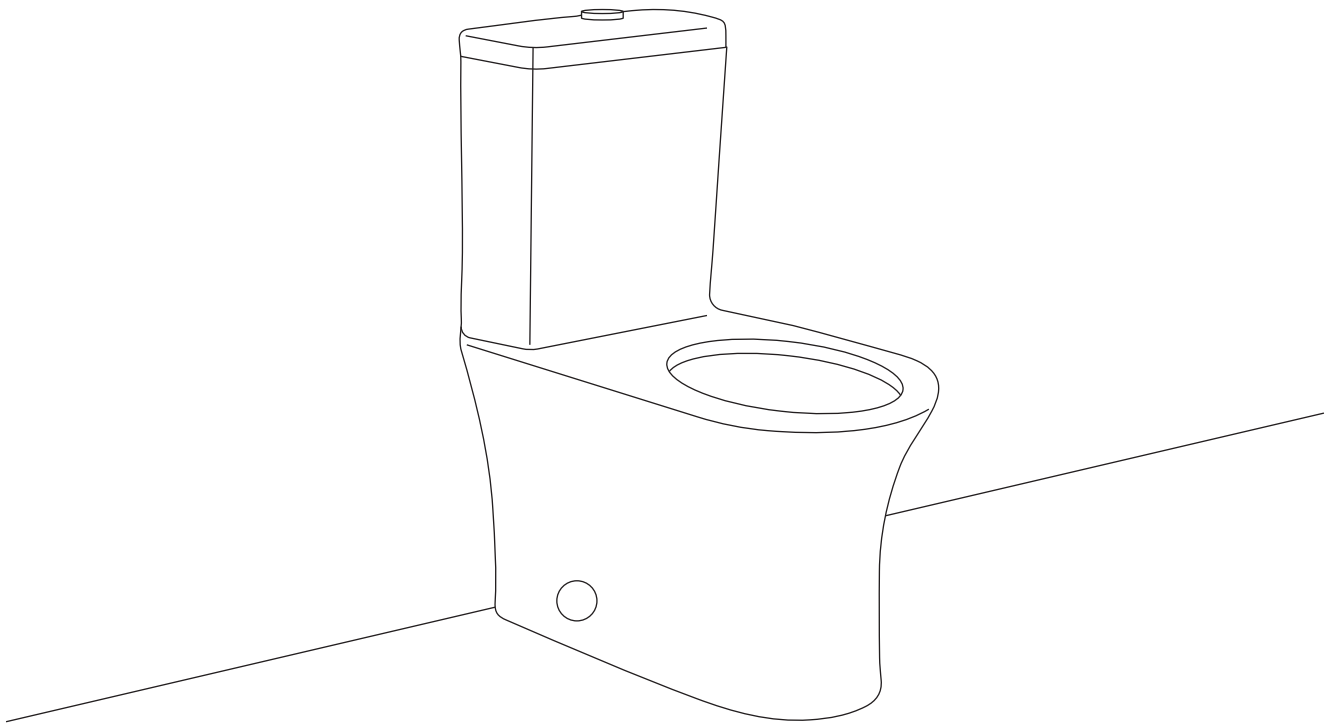
### 13. Connect Push Button

- Unscrew the big nut on the push button and insert the button into the hole on the tank.
- When the rods meet the push buttons, measure the height (H) with a ruler.
- Unscrew the rods and cut the part to height (H) on both rods.
- Insert the rods back and tighten the small nut.
- Tighten the big nut from the inside of the tank.



### 14. Check for Leaks

- Flush several times and check for leaks.

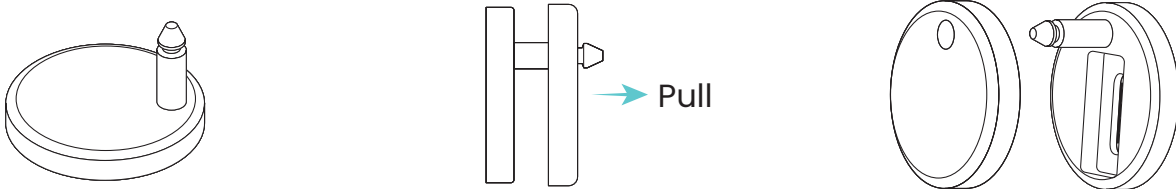


NOTE: Drawings may not exactly define contour of china.

## Toilet Seat Installation

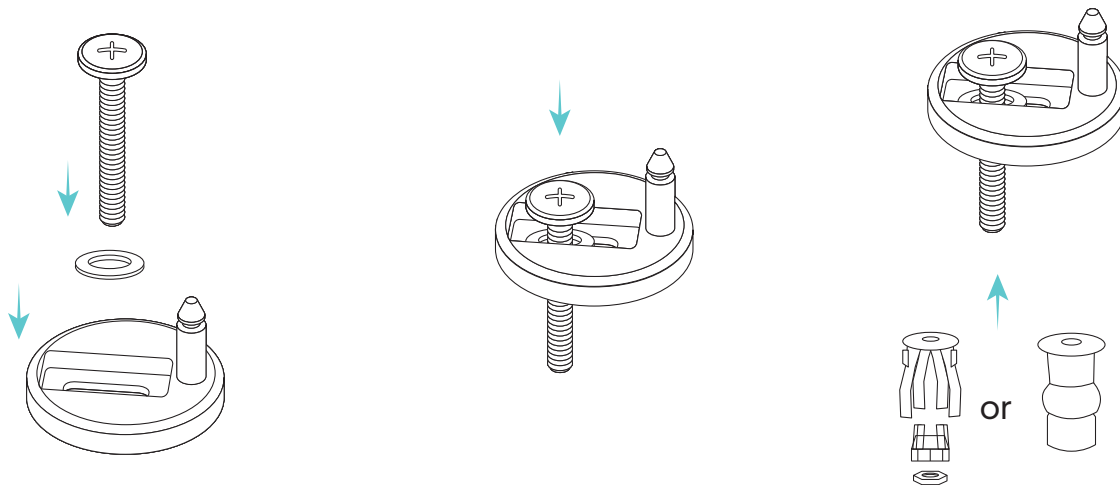
### 1. Dissassemble

- Disassemble the cover cap and the hinge.



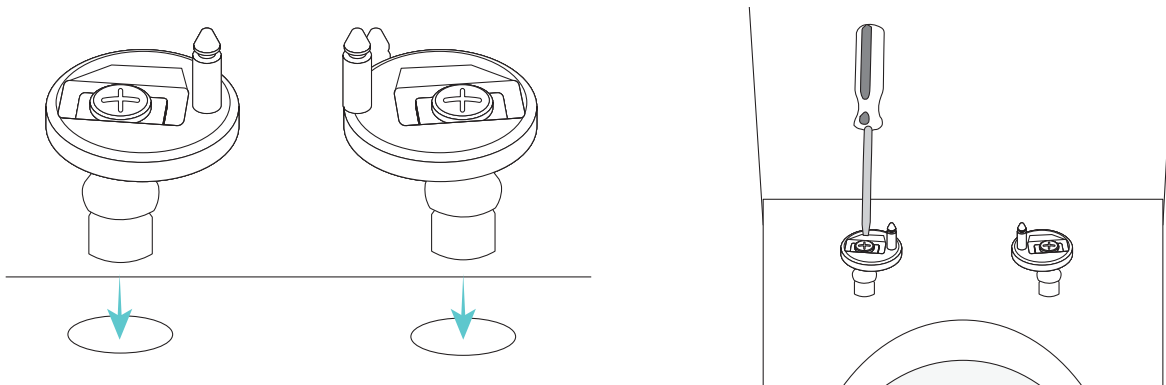
### 2. Construct Hinges

- Insert screw and nut into the hole on the hinge.
- Attach blind hole screw fixing to the bottom on the screw.



### 3. Attach Hinges

- Insert hinges with blind hole screw fixings attached into holes on toilet bowl.
- Lightly tighten hinges with a screwdriver too allow for later adjustment.

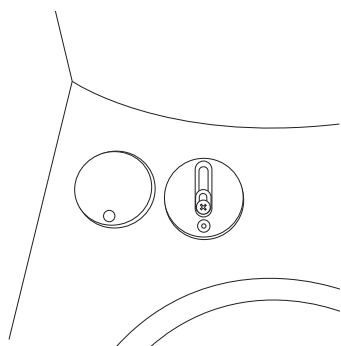


NOTE: Drawings may not exactly define contour of china.

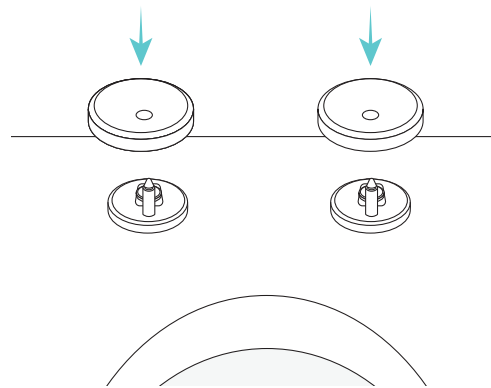
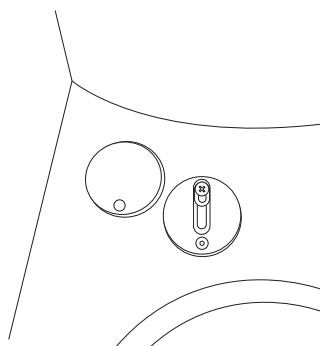
## 4. Adjust and Cover Hinges

- Be sure the hinge is all the way forward for proper seat fitting.
- Place the covers onto the hinges.

Incorrect:

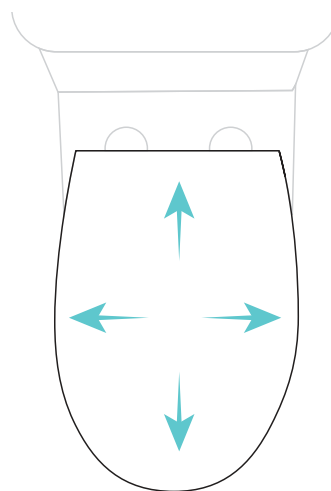
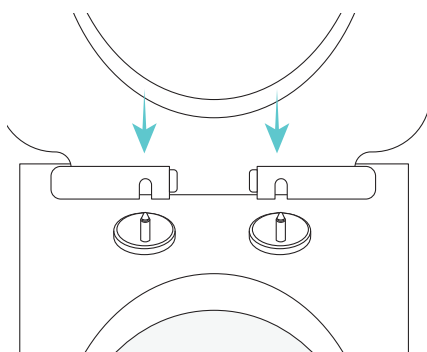


Correct:



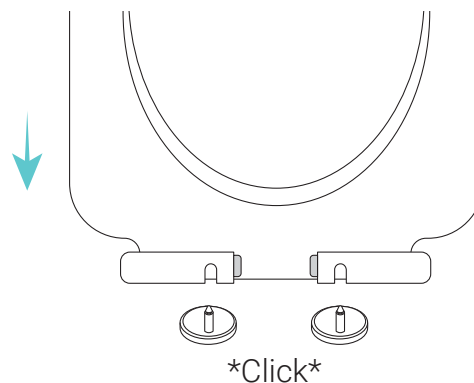
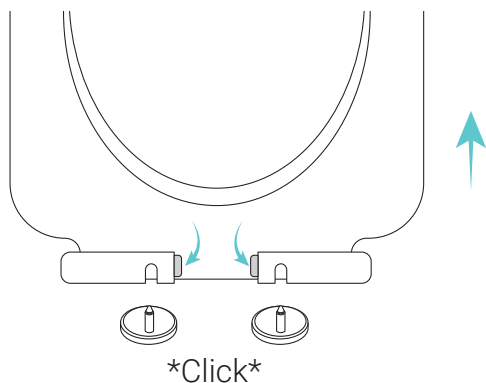
## 5. Adjust and Attach Seat

- Align seat to the hinges then firmly tighten the hinges.
- Attach seat to the secure hinges.
- Adjust seat to align to the bowl.



## 6. Usage

- To remove, push both inner buttons until you hear a “click”, then pull straight up.
- To re-install, align hinge posts with reference marks on seat, then push down until your hear a “click”.



NOTE: Drawings may not exactly define contour of china.

## ONE YEAR LIMITED WARRANTY

Swiss Madison® products are made with quality materials and excellent craftsmanship to provide our customers with beautiful, durable, long-lasting products. Should there be any defects in materials or craftsmanship under regular use that are discovered within the first year of installation, Swiss Madison® will provide replacement parts at no charge, or at its discretion, replace any product or part of the product that is deemed defective, under normal installation, use, service or maintenance. This warranty applies only to the original purchaser. Proof of purchase will be required in the instance of a claim.

Swiss Madison® recommends all installations of Swiss Madison® products to be conducted by a licensed, professional plumber or contractor. Swiss Madison® will not be held responsible for any damage or product failure due to improper installation, misuse, or failure to utilize a licensed professional for installation. Swiss Madison® is not responsible for any installation or removal costs.

### **This One Year Limited Warranty Will Be Voided If:**


- The installation recommendations were not followed by the installer
- The product has been moved from its initial place of installation
- The product has in any way been modified from its packaged state
- The product has been subjected to improper maintenance, abuse, misuse, excessive use of chemicals, accidents, or other damages, etc.

Swiss Madison® makes no implication that its products comply with any local building or plumbing codes. It is the consumer's responsibility and obligation to determine local code compliance prior to and during installation. This warranty extends only to the original purchaser and first consumer.

Swiss Madison® is not responsible for any special, incidental or consequential damages associated with the installation, replacement, return or use of the original purchaser's product. This includes, but is not limited to: freight costs, labor, travel time, lost profit, home damages and other contingent liabilities and costs (including, without limitation, costs associated with 'professionals' or 'experts', investigations, audits, analyses, attorneys and any other professional/hired services).

The Swiss Madison® warranty is a comprehensive and explicit limit of liability. All items not disclosed within the warranty are not addressable within the responsibility of Swiss Madison®. Certain states have variances regarding implied warranties; in those situations, we remain fully compliant.

**If you have any questions or concerns, please contact us directly at  
1-434-MADISON (623-4766)**

 **WARNING:** Contents of your order may contain sharp and possibly other harmful pieces and may cause hazard to children and adults. Swiss Madison® is not responsible in any way for personal damages.