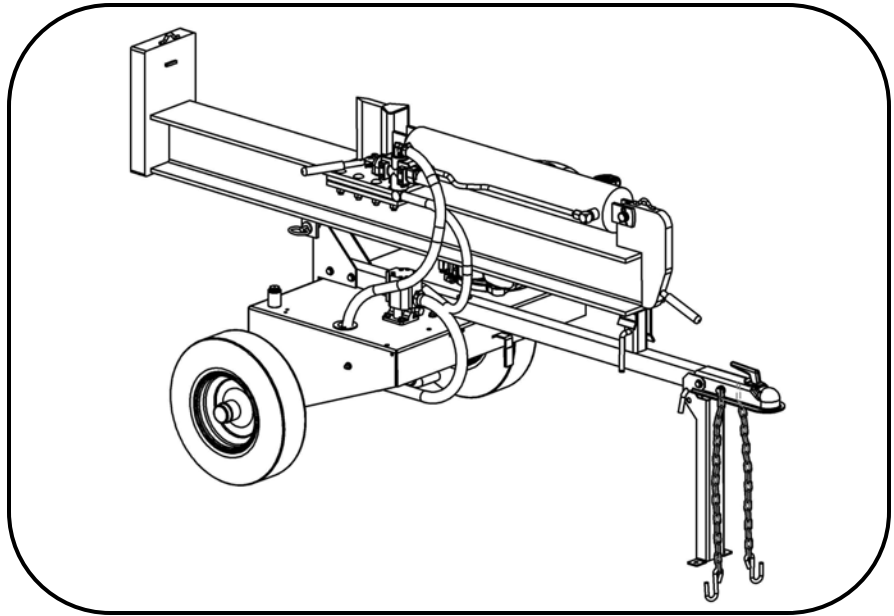




swisherinc.com

**OWNER'S
MANUAL
MODEL NO.
LSEB125341350**

STARTING SERIAL #:
L112-182001



LOG SPLITTER

IMPORTANT
Read and follow all Safety
Precautions and Instructions
before operating this
equipment.

Rev. 12-182

**Safety
Assembly
Operation
Service and Adjustment
Repair Parts**

1602 CORPORATE DRIVE, WARRENSBURG MISSOURI 64093
PHONE 660-747-8183 FAX 660-747-8650

Manufacturing quality lawn care equipment since 1945

Made In The
USA

LIMITED WARRANTY

The manufacturer's warranty to the original consumer purchaser is: This product is free from defects in materials and workmanship for the period's shown below beginning from the date of purchase by the original consumer purchaser. We will repair or replace, at our discretion, parts found to be defective due to materials or workmanship. This warranty is subject to the following limitations and exclusions:

Engine Warranty	All engines utilized on our products have a separate warranty extended to them by the individual engine manufacturer. Any engine service difficulty is the responsibility of the engine manufacturer and in no way is Swisher, or its agents responsible for the engine warranty. Engine warranty and contact information is as shown in the engine owners manual.
Hydraulic System	1 Year
Steel Components	3 Years
Commercial Use	The warranty period for this product when used for commercial or rental is limited to ninety (90) days from the date of original purchase.
Limitation	This warranty applies only to products which have been properly assembled, adjusted, and operated in accordance with the instructions contained within this manual. This warranty does not apply to any product of Swisher that has been subject to alteration, misuse, abuse, improper assembly or installation, shipping damage or to normal wear of product.
Exclusions	Excluded from this warranty are normal wear items, normal or routine adjustments, and normal or routine maintenance.

In the event you have a claim under this warranty, you must return the product to an authorized service dealer. All transportation charges, damage, or loss incurred during transportation of parts submitted for replacement or repair under this warranty shall be borne by the purchaser. Should you have any questions concerning this warranty, please contact us toll-free at 1-800-222-8183. The model number, serial number, date of purchase, and the name of the authorized Swisher dealer from whom you purchased the splitter will be needed before any warranty claim can be processed.

THIS WARRANTY DOES NOT APPLY TO ANY INCIDENTAL OR CONSEQUENTIAL DAMAGES AND ANY IMPLIED WARRANTIES ARE LIMITED TO THE SAME TIME PERIODS STATED HEREIN FOR ALL EXPRESSED WARRANTIES. Some states do not allow the limitation of consequential damages or limitations on how long an implied warranty may last, so the above limitations or exclusions may not apply to you. This warranty gives you specific legal rights and you may have other rights, which vary from state-to-state. This is a limited warranty as defined by the Magnuson-Moss Act of 1975.

TABLE OF CONTENTS

WARRANTY.....	2	MAINTENANCE.....	8
SAFETY.....	3-4	DECALS.....	9
TOWING.....	5	PARTS BREAKDOWN.....	10-13
OPERATION.....	6-8	SPECIFICATIONS.....	15

SAFETY PRECAUTIONS



This Safety Alert Symbol indicates important messages in this manual. When you see this symbol, carefully read the message that follows and be alert to the possibility of personal injury.

Read this manual completely. This machine can amputate hands, feet, and throw objects. Failure to observe the following safety instructions could result in serious injury or death.



WARNING: The engine exhaust from this product contains chemicals known to the state of California to cause cancer, birth defects or other reproductive harm.



DANGER: Your log splitter was built to be operated according to the rules for safe operation in this manual. As with any type of power equipment, carelessness or error on the part of the operator can result in serious injury. If you violate any of these rules, you may cause serious injury to yourself or others.

- Read and understand the manual. Learn to operate this equipment in a safe manner. Familiarize yourself with all of the controls in a safe environment before starting to work with this machine.
- DO NOT under any circumstances alter this log splitter. This equipment was designed and engineered in accordance with operating instructions. Altering this equipment, or using this equipment in such a way as to circumvent its design capabilities and capacities, could result in serious injury or fatality and **WILL VOID THE WARRANTY**.
- Allow **ONLY** responsible adults who have read this manual to operate this machine. **NEVER** allow children to operate this machine.
- **NEVER** operate or allow someone to operate this equipment while under the influence of alcohol, drugs or medication. Being coherent is essential for safety.
- **ALWAYS** use outdoors with adequate ventilation. **DON'T** run the engine in an enclosed area. Exhaust gases contain carbon monoxide. This odorless gas can be deadly when inhaled.
- **NEVER** use splitter for any other purpose than splitting wood. Any other use can result in injury. Your splitter is a precision piece of power equipment, not a toy. Therefore, exercise extreme caution at all times.
- **ONLY** a single operator is to load and operate the log splitter. **KEEP** all others, including pets and children, a minimum of 20 feet away from your work area. More accidents occur when more than one person operates the log splitter than any other time.
- **ALWAYS** wear protective gear such as safety goggles, protective hearing device, steel-toed shoes, and tight-fitting gloves without drawstrings or loose cuffs.
- **NEVER** wear loose clothing or jewelry that can be caught by moving parts of the splitter and pull you into it. Keep hair away from moving parts.
- **NEVER** operate your splitter on wet, muddy, or icy surfaces. **KEEP** work area clean of split wood. Safe footing is essential in preventing accidents.
- **ONLY** operate splitter on level ground with wheels blocked, not on the side of a hill. It could tip, or rolling logs, poor footing, etc. could cause an accident.

- NEVER operate your splitter near a flame or spark. Hydraulic oil and gasoline are flammable and can explode.
- NEVER fill gas tank while the engine is hot or running. Allow the engine to cool before refueling.
- This unit is equipped with an internal combustion engine and should not be used on or near any unimproved forest-covered, brush-covered or grass-covered land unless the engine's exhaust system is equipped with a spark arrester meeting applicable local or state laws (if any). If a spark arrester is used it should be maintained in effective working order by the operator.

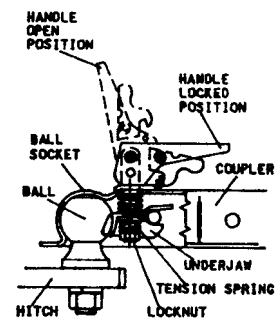
-NOTE-

In the state of California, the above is required by law (Section 442 of the California Public Resources Code). Other states may have similar laws. Federal laws apply on federal lands. A spark arrester muffler (optional by manufacturer) is available at your nearest engine dealer. Check legal requirements in your area.

- ONLY use your hands to operate the control lever. NEVER use foot, knee, rope or any extension device.
- Split ONLY one log at a time. NEVER attempt to split two logs on top of each other.
- NEVER place hands or feet between log and splitting wedge or between log and ram during forward or reverse stroke. ALWAYS keep fingers clear of splits that open in log during splitting operation.
- DO NOT straddle or reach across the splitting area while operating the splitter.
- DO NOT step over splitter when the engine is running. You may trip or accidentally activate the splitting wedge. Walk around to get to the other side.
- NEVER attempt to load splitter while splitting wedge is in motion. When loading log splitter, place hands on the sides of the log, not the ends.
- NEVER attempt to split woods across the grain. Wood may burst or fly out of your splitter and result in serious injury.
- NEVER leave your splitter unattended with the engine running. Shut off the engine if you are leaving your splitter, even for a short period of time. Someone could accidentally activate the ram and be injured.
- Both ends of the log should be cut as squarely as possible to prevent the log from sliding out of the splitter during operation. Log length should be kept to 24" or less.
- NEVER operate your splitter while it is attached to the tow vehicle.
- BEFORE towing, be certain that the splitter is securely attached to the towing vehicle and that the support leg, beam and cylinder are secured in their respective towing positions.
- NEVER allow persons to ride on splitter. DO NOT carry any cargo or wood on your splitter. It may fall off and cause an accident.
- DO NOT loosen or remove any hydraulic fitting, line or reservoir cap while your splitter or engine is running.
- Fluid escaping from a very small hole can almost be invisible. DO NOT check for leaks with your hand. See maintenance section for instructions. **IF injured by escaping fluid, see a doctor at once. Serious infection or reaction can develop if proper medical treatment is not administered immediately.**
- DO NOT operate your splitter in poor mechanical condition or when it is need of repair.
- ALWAYS disconnect the spark plug wire and place the wire where it cannot contact the spark plug, to prevent accidental starting the engine when setting up, transporting, adjusting or repairing.

TOWING SAFETY

- Do not allow persons to ride on splitter. Do not carry any cargo or wood on your splitter. It may fall off and endanger vehicles that are following you.
- Be sure support leg is in the travel position and coupling secure. This must also be retracted so not to interfere while towing. Retract support leg by removing pin, pivoting up, and replacing pin.
- Never exceed 45 MPH while towing your splitter. Be extra cautious when traveling over rough terrain, especially over railroad tracks.
- Always be careful while backing your splitter. You could jackknife your log splitter if not careful.
- Before using splitter, disconnect it from tow vehicle. A log could easily be pushed forward into the vehicle.
- See tire and wheel specifications for PSI while towing.
- Be aware of the extra length of splitter while turning, parking, crossing intersections, and in all driving situations.



OPERATION INSTRUCTIONS POSI-LOCK COUPLER

ADJUST COUPLER LOCKING PRESSURE ON BALL BEFORE USE. PLACE HANDLE IN LOCKED POSITION WITH BALL IN COUPLER. TIGHTEN LOCKNUT AGAINST TENSION SPRING SO THAT COUPLER IS NOT LOOSE ON BALL. CORRECT ADJUSTMENT WILL ALLOW HANDLE TO BE RELEASED WITH MODERATE PRESSURE APPLIED TO HANDLE.

TO OPEN, PULL UP ON COUPLER HANDLE AND ROTATE FORWARD. PLACE COUPLER ON BALL WHEN BALL IS COMPLETELY NESTED IN BALL SOCKET, ROTATE COUPLER HANDLE BACKWARD UNTIL HANDLE IS IN LOCKED POSITION.

AFTER TOWING FOR 50 MILES, CHECK COUPLER FOR TIGHTNESS ON BALL. ALWAYS CHECK TIGHTNESS BEFORE TOWING. BE SURE COUPLER HANDLE IS IN LOCKED POSITION.

WARNING:

NEVER EXCEED WEIGHT CAPACITY AND ALWAYS USE SAFETY CHAINS. ALWAYS USE CORRECT BALL SIZE, MAKING SURE BALL IS COMPLETELY INSERTED INTO COUPLER. LOCK COUPLER HANDLE SECURELY BEFORE TOWING. ALWAYS CHECK FOR DAMAGES AND REPLACE IF DAMAGED. AVOID SHARP TURNS AND STEEP VERTICAL ANGLES WHEN TOWING.

ASSEMBLY

This log splitter has been partially assembled at the factory. Refer to the drawings and part lists should it become necessary to disassemble the unit for repair or replacement of parts.

Inspect all components for damage. If you believe you have a damaged part please contact customer service immediately at 1-800-222-8183.

WARNING: Exercise extreme caution, as parts are very heavy. Sufficient persons or mechanical handling equipment should be used.

Refer to uncrating and assembly instructions for assembly procedures.

OPERATION

INTENDED USE: This log splitter is intended and designed to only split wood. NEVER use for any other purposes. Doing so can cause injury or VOID THE WARRANTY.

IMPORTANT: This unit is shipped with oil but without gasoline in the engine. After assembly, see separate Engine Manual for proper fuel and oil recommendations.

WARNING: *DO NOT START OR RUN THE LOG SPLITTER WITHOUT OIL IN THE ENGINE AND HYDRAULIC RESERVOIR.*

FILLING THE HYDRAULIC RESERVOIR

Fill the hydraulic reservoir to the top mark on the dipstick with Dexron® III / Mercon® III automatic transmission fluid, a 10W AW hydraulic fluid or Pro-Mix™ AW-32 Hydraulic oil. After the hydraulic reservoir and the engine crankcase are filled correctly with their respective oils, start the engine. Remember to set the throttle and turn on the fuel shut-off valve. The hydraulic pump should prime itself. With the engine running, move the hydraulic valve lever toward the wedge. This will cause the cylinder to extend and expel air. When the cylinder is fully extended, retract it. Repeat this procedure several times. (An erratic movement of the cylinder and wedge indicates that there is air in the system). Once the cylinder has a smooth and constant speed indicating that all air has been expelled, shut the system off and refill the reservoir until the fluid is in the safe operating range as specified by the marks on the dipstick.

START UP



WARNING: *DO NOT START OR RUN THE LOG SPLITTER WITHOUT OIL IN THE ENGINE AND HYDRAULIC RESERVOIR.*

See separate Engine Manual for fuel and oil recommendations. If applicable your log splitter has come equipped with a fuel shut-off valve for towing purposes.

Before starting engine make sure crankcase is filled correctly with oil and the proper fuel has been used. The engine will only start when the throttle lever and fuel shut-off valve if applicable are turned to their ON positions.

STARTING INSTRUCTIONS

1. Move throttle control to “FAST.”
2. Set Choke to on position (if applicable) or push primer bulb three (3) times. NOTE: Do not use primer or choke to restart a warm engine after a short shutdown.
3. Grasp rope handle and pull out slowly until resistance is felt. Then pull rapidly with a full arm stroke. NOTE: If engine fails to start after three (3) pulls, repeat steps 1 and 2.
4. When Engine starts, set choke to off position (if applicable) leave throttle control at “FAST.” The throttle must be set in the fast position for maximum performance.
5. To stop engine, move throttle lever to “SLOW” for a few seconds then to “STOP.”

COLD WEATHER START UP

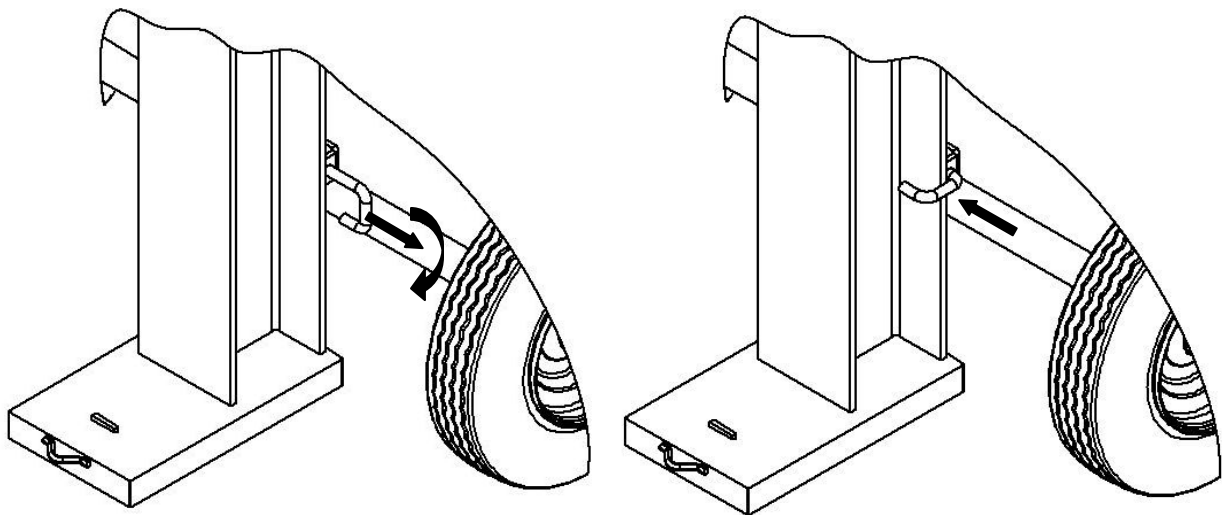
The Cold Weather Clutch enables the engine to be started without having to pull through cold, thickened hydraulic fluid. Simply push the handle in to the locked position. Start engine, let it warm up, and release Cold Weather Clutch.

SPLITTER OPERATION

1. Set up the log splitter in a clear, level area and block the wheels. The suction port on the tank should always be on the lower side of the log splitter.
2. Place a log on the beam, against the foot plate. Make sure the log is securely on the foot plate and up against the beam.
3. Depress the valve lever so that the cylinder will drive the wedge into the log. Extend the cylinder until the log splits or to the end of its stroke. If the log has not completely split after the cylinder has reached the end of its extension, retract the cylinder. **NOTE:** Leaving the valve in the “actuate” position at the end of the stroke may damage the pump. Always use extra care when splitting logs with ends that are not square.

NOTE: To extend the life of the hydraulic cylinder, avoid “BOTTOMING OUT” the cylinder.

4. When using the Log Splitter in the vertical position, make sure the beam latch is engaged as shown below. Pull the bent pin outward then twist and release it to hold the I-beam in place.



TOWING SAFETY

This unit should not be towed on any street, highway, or public road without checking the existing federal, local, and state laws. Any licensing or modifications such as taillights, etc., need to comply with existing federal, local, or state vehicle requirements is the sole responsibility of the purchaser. Obey all regulations when towing on public roads and highways. See also **SAFETY PRECAUTIONS**.

Turn the fuel shut-off valve if applicable OFF to prevent flooding of the engine while traveling.

Be careful when backing up. You can easily jack-knife your splitter.

TOWING AT NIGHT

The requirements for taillights are based on States regulations. Some states allow towing at night as long as the towed equipment does not visibly impair the tow vehicle taillights. This is based on a state, to state requirements. The customer is responsible for meeting the states requirements.

If a “Statement of Origin” is required in your state, see your local dealer to receive one.

HYDRAULIC SAFETY

The hydraulic system on your splitter requires careful inspection along with the mechanical parts. Be sure to replace any frayed, kinked, cracked or otherwise damaged hydraulic components. Just because it isn't leaking today doesn't mean that it will not fail tomorrow.

Fluid escaping from a very small hole can almost be invisible. Do not check for leaks with your hand. Escaping fluid under pressure can have sufficient force to penetrate skin causing serious personal injury or even death. Leaks can be detected by passing a piece of cardboard or wood over the suspected leak and looking for discoloration. **IF injured by escaping fluid, see a doctor at once. Serious infection or reaction can develop if proper medical treatment is not administered immediately.**

Should it become necessary to loosen or remove any hydraulic fittings, lines or reservoir cap, be sure to relieve all pressure by shutting of the engine and moving the control handle back and forth several times.

NEVER remove the cap from the hydraulic tank or reservoir while the unit is running. Hot oil under pressure could result in serious injury. See also **SAFETY PRECAUTIONS.**

The pressure relief valve on your splitter is preset at the factory. DO NOT adjust the valve. Only a qualified technician should perform this adjustment.

MAINTENANCE AND STORAGE

WARNING: DISCONNECT THE SPARK PLUG BEFORE PERFORMING ANY MAINTENANCE.

Consult the operating and maintenance instructions of the engine manufacturer for engine care.

Always check the oil level of the hydraulic reservoir before operation. Operating without an adequate oil supply will cause severe damage to the pump. Change the hydraulic fluid in the reservoir after every 100 hours of operation. Change the hydraulic filter after every 50 hours of operation (use only a 10 micron hydraulic filter).

Periodically check that all nuts, bolts, screws, clamps and fittings are tight and secure.

To keep your splitter in top working condition perform all recommended maintenance procedures before you use your splitter.

If the wedge becomes dull or nicked a grinder or sharpening tool can be used to sharpen it.

Completely drain the fuel tank prior to storage. Always store gasoline in an approved, tightly sealed container. Store container in a dry, cool place with adequate ventilation. Keep fuel away from areas where fumes could contact open flame, pilot light or sparks.

Be aware of the environment when disposing of used petroleum products. Please dispose of used hydraulic fluid, engine oil and any by products from the maintenance of your splitter at approved recycling centers.

Should it become necessary to disassemble the unit for repair or replacement of parts, refer to the drawings and parts list on the following pages. Exercise extreme caution, as some parts are very heavy and will require sufficient persons or mechanical handling equipment.

Your Swisher Log Splitter has been produced with components designed specifically to this machine. Although standard springs, hardware and ect may look similar to parts used on other machinery, they may in some cases be made of a different construction and/or materials. All replacement parts must meet manufacturer's specifications.



The operation of any splitter can produce foreign objects which can be thrown into the eyes, resulting in severe eye damage. Always wear certified safety glasses or wide-vision safety goggles over spectacles before staring any splitting machine and while operating such a machine.



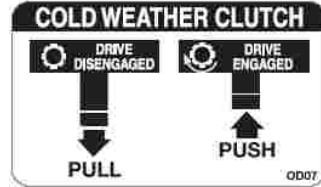
The operation of any splitter produces sound waves that are damaging to the human ear. Ear protection is recommended.

SAFETY DECALS

Replace decals immediately if damaged.



OD16 – FUEL SHUT OFF DECAL



12493 – COLD WEATHER DECAL



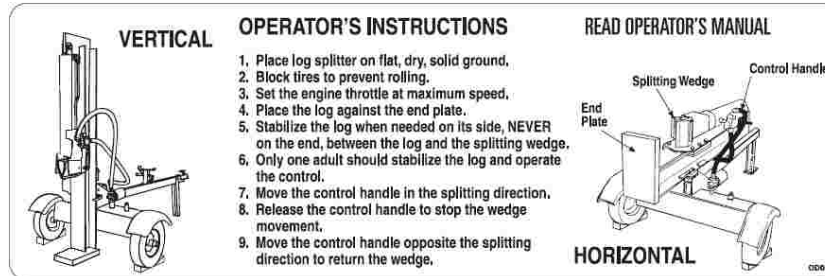
12494 – HYDRAULIC FILL PLUG DECAL



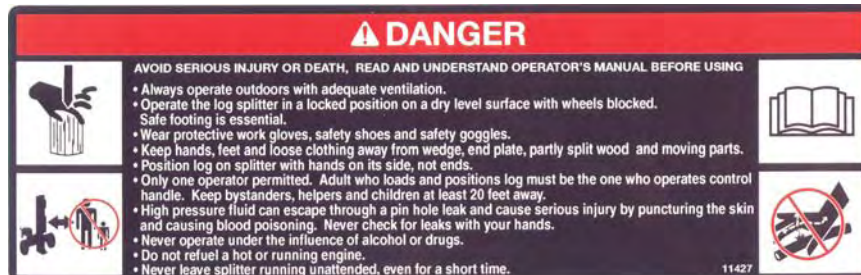
12549 – DO NOT EXCEED 45 MPH DECAL



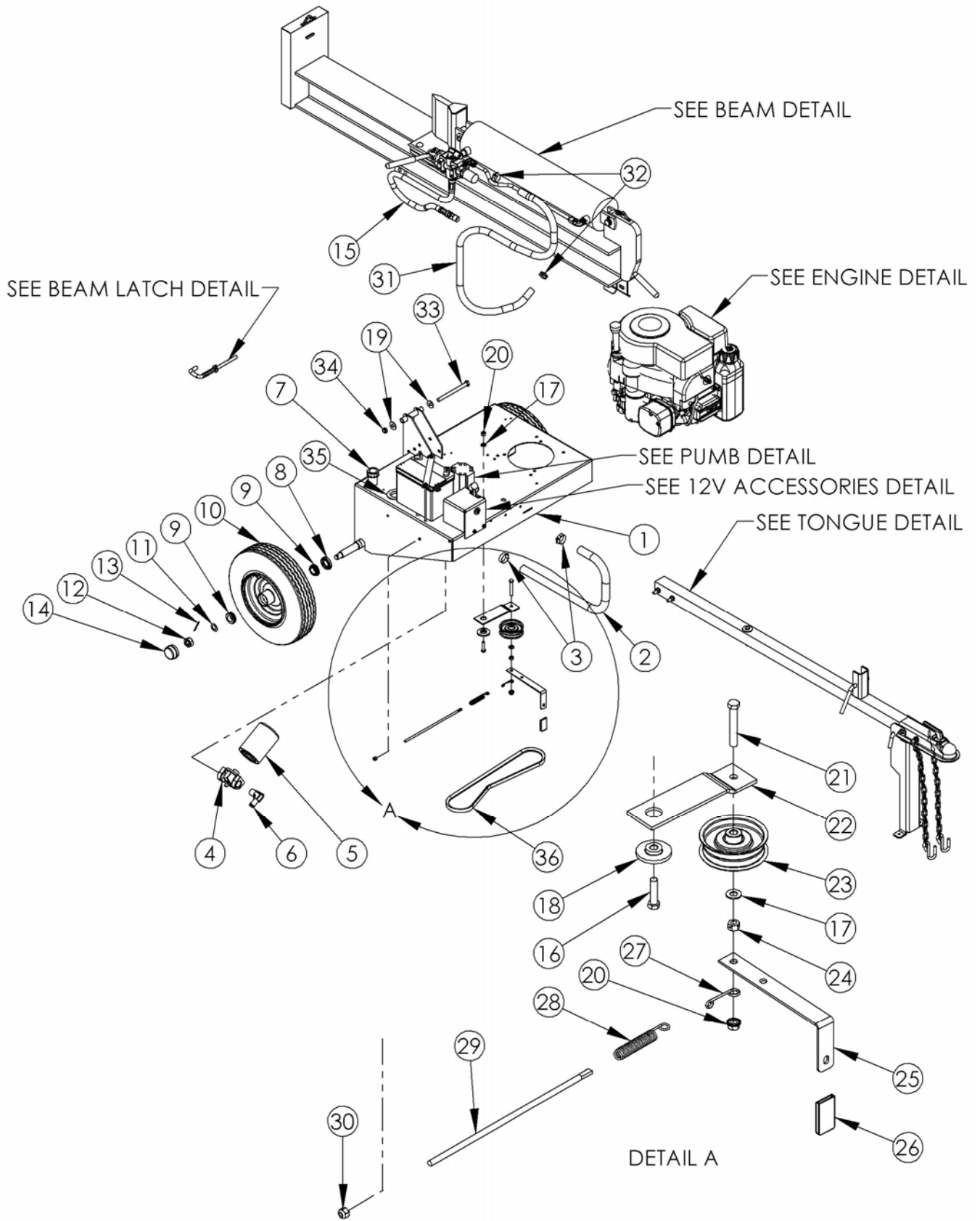
12532 – HYDRAULIC OIL DECAL



12492 – OPERATOR INSTRUCTION DECAL



11427 – DANGER DECAL



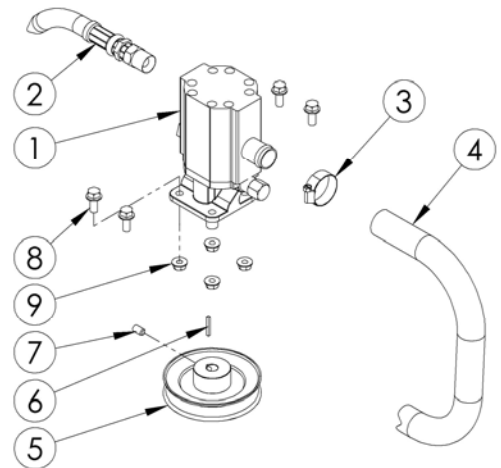
ASSEMBLY DETAIL

SERVICE PARTS

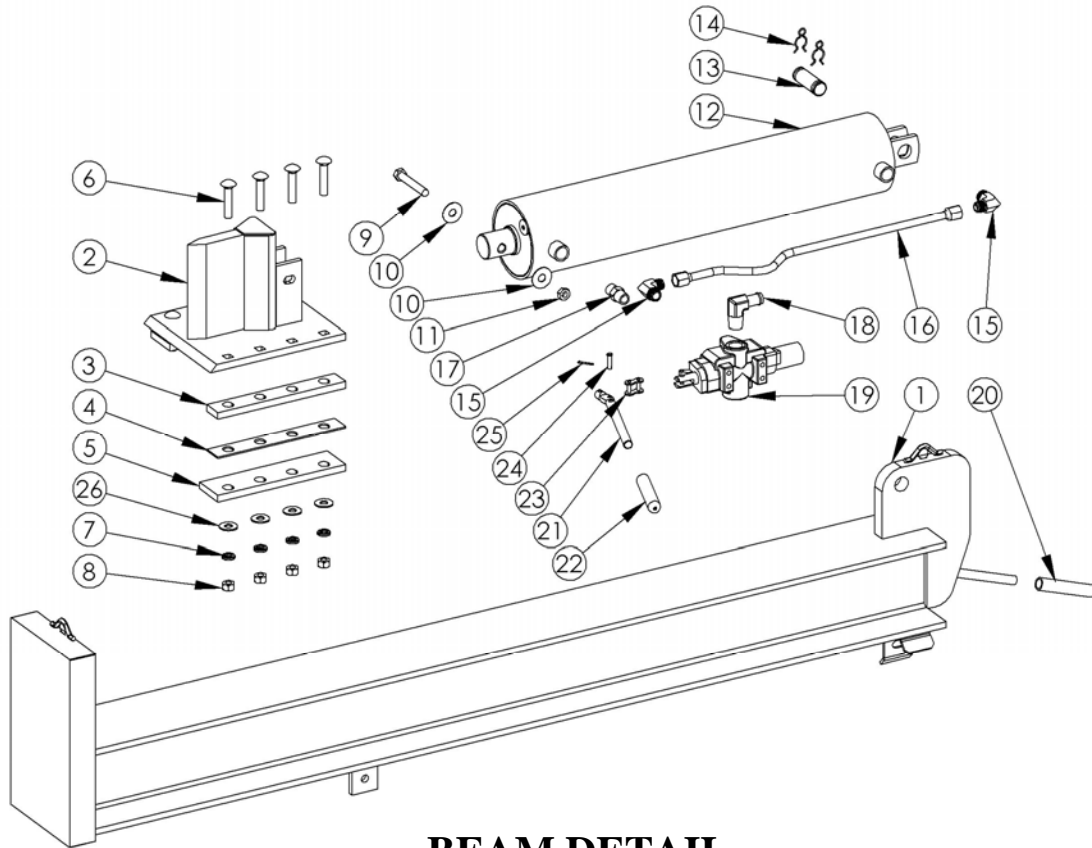
ITEM NUMBER	DESCRIPTION	PART NUMBER
1	Motor Base & Reservoir	18827TK
2	Hose - Hydraulic 1" ID X 36"	12362
3	Clamp - Hose No. 12	LS4999
4	Head - Filter	LS1112
5	Filter - Element	LS1113
6	Fitting - Line Return	7329
7	Breather Cap	12379
8	Seal - Wheel Hub Bearing	2203S
9	Bearing - Wheel Hub	2203B
10	Tire & Wheel	7296K
11	Washer - 3/4 ID X 1 1/4 OD	NB179
12	Nut - Castle 3/4-16	2203CN
13	Pin - Cotter, 1/8 X 2	NB633
14	Cover - Dust, Wheel Hub	2203DC
15	Hose - Hydraulic Pressure	15149
16	Bolt - 3/8-16 X 1 1/2	NB107
17	Washer - SAE Flat 3/8	NB272
18	Bushing - Idler	6037
19	Washer - USS Flat, 1/2 ZY	NB555
20	Nut - Nyloc 3/8-16	NB182
21	Bolt - 3/8-16 X 2 1/2	NB619
22	Arm - Idler	6041TK
23	Pulley - Idler	B527
24	Nut - 2 Way Lock 3/8-16	NB280
25	Lever - Clutch	11226TK
26	Pivot - Handle Grip	2077
27	Link - Wire	BRS6H
28	Spring - Idler Tension, Bent Leg	4422
29	Bolt - Spade, 5/16-18 X12	10636YZ
30	Nut - Nyloc 5/16-18	NB181
31	Hose - Hydraulic, 3/4" ID X 72"	12363
32	Clamp - Hose No. 16	LS5001
33	Bolt - 1/2-13 X 6	NB151
34	Nut - Nyloc Jam, 1/2-13	NB688
35	Grommet	12441
36	Belt - Engine, 44"	644

PUMP DETAIL

ITEM #	DESCRIPTION	PART #
1	Pump - Hydraulic	LS2002B
2	Hose - Hydraulic Pressure	15149
3	#16 Hose Clamp	LS4999
4	36" Suction Hose	12362
5	Pump Pulley	7306
6	Key Stock - .125 X .125 X 1.00	18027
7	5/16-18 X 1/2 Set Screw w/Loctite	NB312
8	Bolt 5/16-18 X 3/4 Serr. Flange	NB596
9	Nut 5/16-18 Serr. Flange	NB170

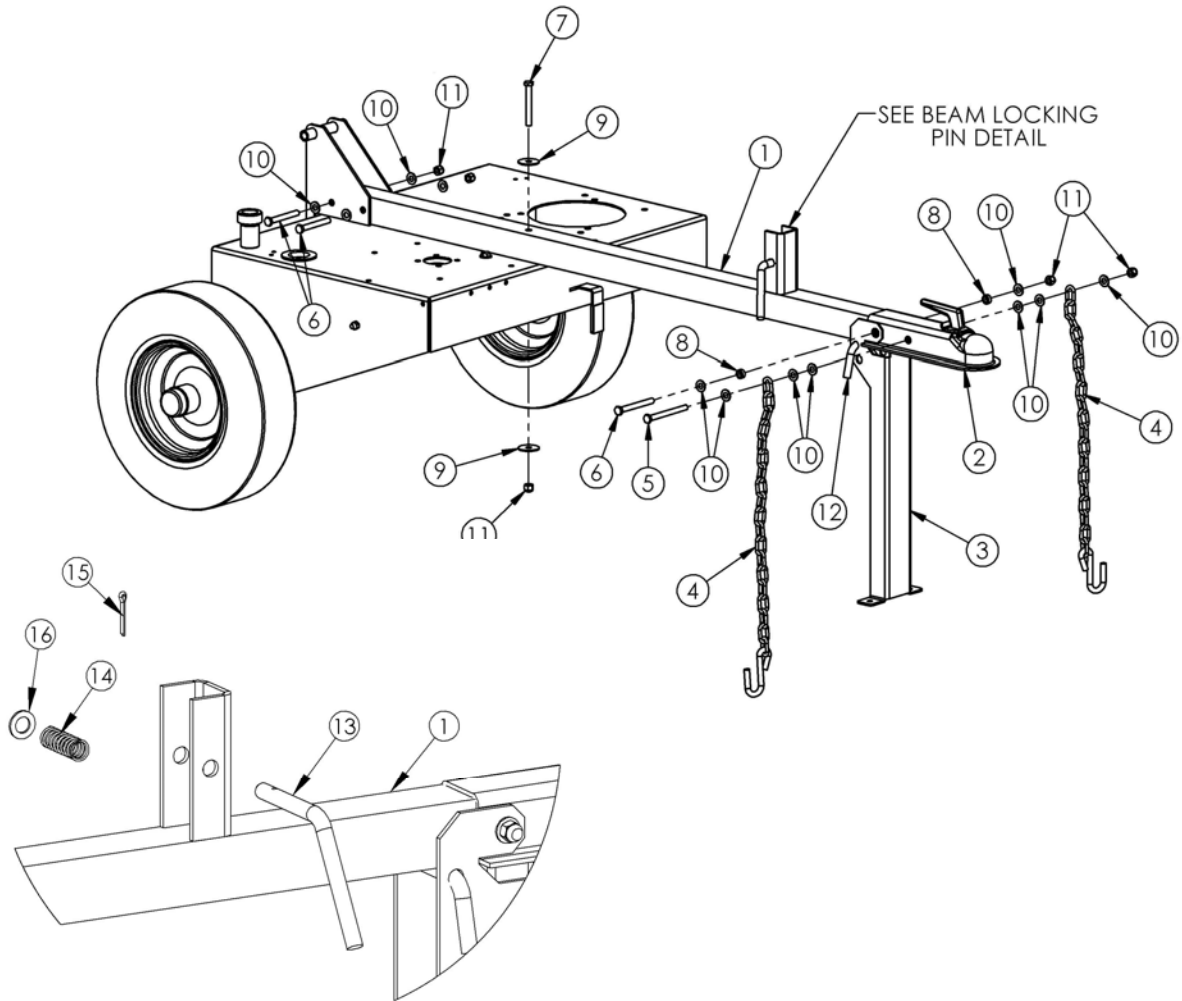


Note: Install pulley collar up and bottom side of pulley flush with end of pump shaft.



BEAM DETAIL

ITEM NUMBER	DESCRIPTION	PART NUMBER
1	Beam Weldment	12440TC
2	Wedge Weldment	7233TK
3	Thick GIB Plate	7237TK
4	Thin GIB Plate	7388TK
5	Bottom GIB Plate	7333TK
6	1/2-13 X 2 1/2 GR5 Carriage Bolt	NB643
7	1/2 Lock Washer	NB508
8	1/2-13 Nut	NB213Z
9	1/2-13 X 3 1/2 GR5 ZP	12669
10	Washer	TR150W
11	Nut 1/2-13 Nyloc Jam	NB121
12	Ram Cylinder	7355TK
13	Steel Pin	7293
14	Clip Pin	NB642
15	Hydraulic Fitting	7291
16	Stationary Line Assembly	7288TK
17	2-Way Pipe Nipple	7292
18	Return Line Fitting	7329
19	Valve Control	7287TK
20	Grip - Lift Handle	18748
21	Valve Control Handle	7423
22	Grip - Lift Handle	7425
23	Master Chain Link	7424
24	1/4 X 1 Clevis Pin	NB522
25	Cotter Pin	18892
26	1/2 Washer USS Flat	NB555

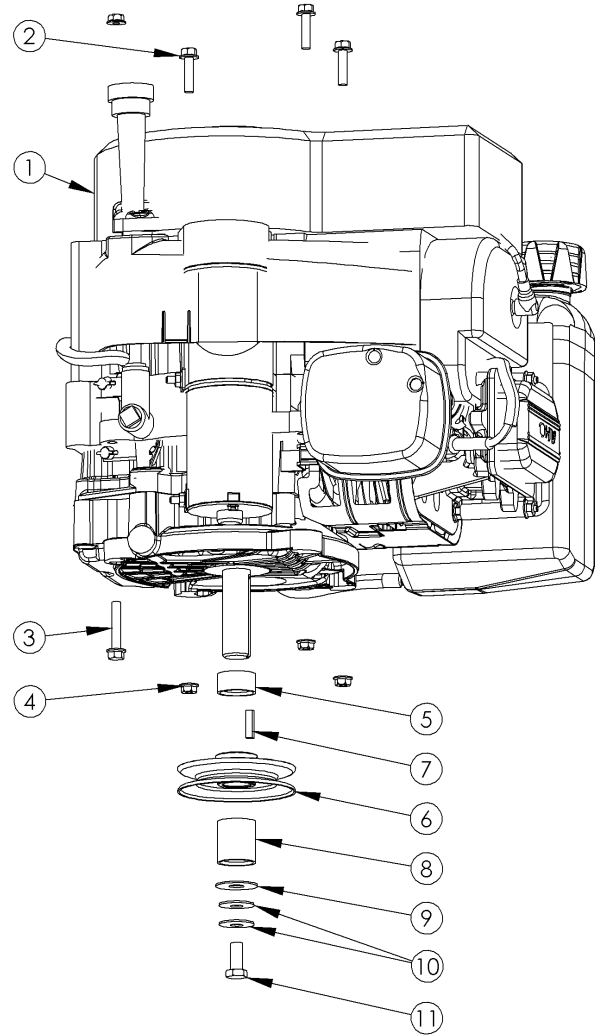


TONGUE DETAIL

ITEM NUMBER	DESCRIPTION	PART NUMBER
1	Tongue Weldment	12353TK
2	2" Ball Coupler	7365
3	Stand - Folding	14924TK
4	Safety Chain w/Hook	7366
5	Bolt 3/8-16 X 4 GR5	NB645
6	Bolt 3/8-16 X 3 1/2 GR5	NB649
7	Bolt 3/8-16 X 3 GR5	NB150
8	Latch Pin Guide Bushing	7840Z
9	Washer Fender 3/8	10177
10	Washer SAE 3/8	NB272
11	Nut 3/8-16 Nyloc	NB182
12	1/2 X 3 Bent Pin w/Hair Pin	NB606
13	1/2 Bent Locking Pin	12345
14	Compression Spring	12364
15	Cotter Pin 1/8 X 1	NB126
16	Washer - Mach 1/2 NR 14 GA	NB177

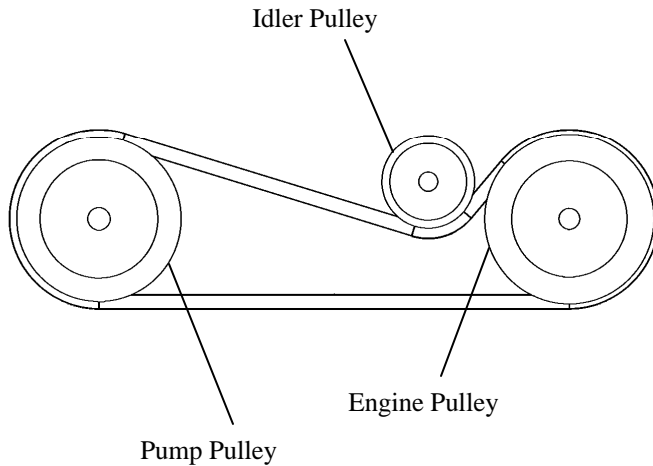
ENGINE DETAIL

ITEM #	Qty	DESCRIPTION	PART #
1	1	Engine - B&S 12.5HP 12V	14469
2	3	Bolt - Serr Flange, 5/16-18 X1 1/4	NB253
3	1	Bolt - Serr Flange, 5/16-18 X1 3/4	NB515
4	4	Nut - Serr Flange 5/16-18	NB170
5	1	Spacer - Short, Engine Pulley	689S
6	1	Pulley - Engine	BB105
7	1	Key Stock - 1/4 X 1	9031
8	1	Spacer - Long, Engine Pulley	689L
9	1	Washer - .531IDX1 1/2OD	TR150W
10	2	Washer - Belleville 7/16 X1 1/4	699
11	1	Bolt - 7/16-20 X 1	NB452N
NOT SHOWN	1	Valve - Fuel Shut Off (Inline)	7414
NOT SHOWN	2	Clamp - Fuel Line Hose	6FLC



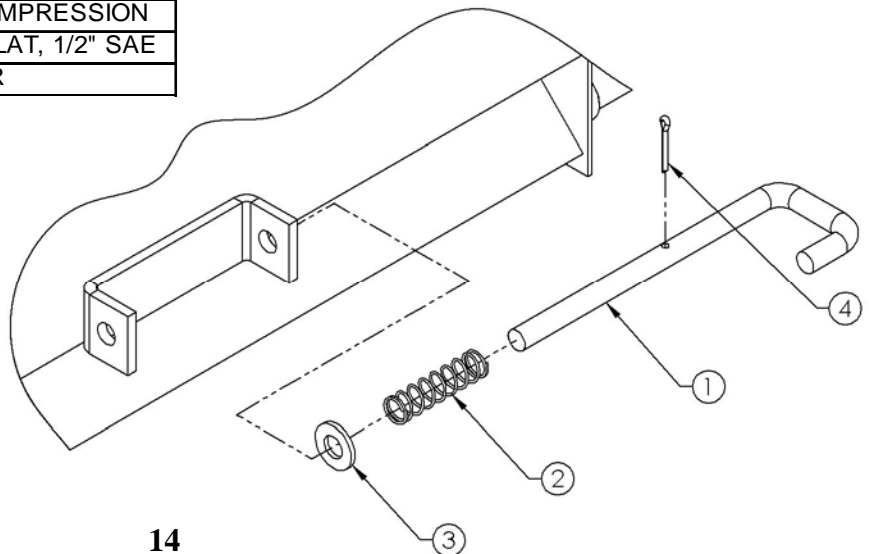
BELT ROUTING DIAGRAM

(VIEWED FROM UNDERSIDE OF SPLITTER)

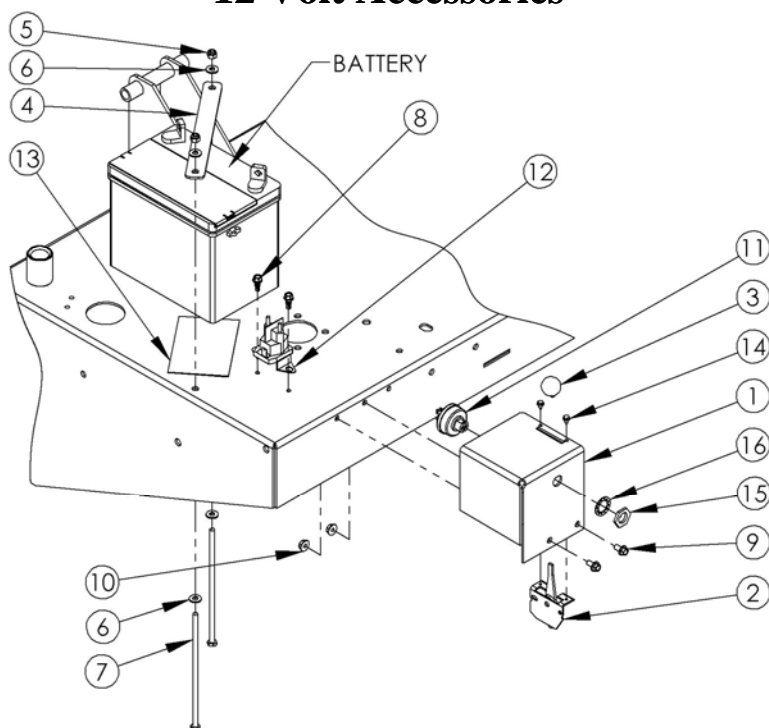


BEAM LATCH DETAIL

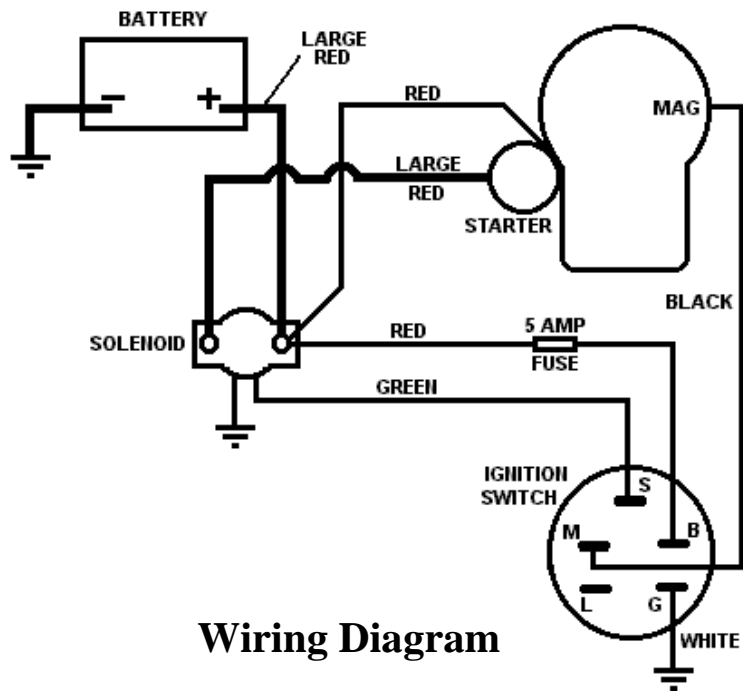
ITEM #	QTY.	PART #	DESCRIPTION
1	1	18821	PIN - BEAM LATCH
2	1	18822	SPRING - COMPRESSION
3	1	18823	WASHER - FLAT, 1/2" SAE
4	1	NB126	PIN - COTTER



12 Volt Accessories



ITEM #	DESCRIPTION	PART #	ITEM #	DESCRIPTION	PART #
1	Bracket - LS Throttle & Key Switch	12491TK	13	Pad - Battery	BATPAD
2	Cable - Throttle Assy	686N	14	Screw - Sheet Metal #8 X 3/8	NB137
3	Knob - Throttle	686K	15	Nut - Key Switch	9087
4	Bracket - LS Battery Hold Down	12498TK	16	Washer - Lock, Key Switch	9088
5	Nut - 1/4-20 Nyloc	NB180	NOT SHOWN	Harness - Wiring; LS 12V Start	12551
6	Washer - 1/4 SAE	NB274	NOT SHOWN	Nut - 1/4-20 Kep	NB203
7	Bolt - 1/4-20 X 7	NB732	NOT SHOWN	Nut - 1/4-20 Nyloc	NB180
8	Screw - HX Tek 1/4 X 3/4 ZP	NB161	NOT SHOWN	Cable - Battery, 10" Red	BCSR
9	Bolt - 1/4-20 Serr Flange	NB109	NOT SHOWN	Cable - Battery 19" Red	BCL
10	Nut - 1/4-20 Serr Flange	NB524	NOT SHOWN	Cable - Battery 19" Black	BCLB
11	Switch - Key	3623	NOT SHOWN	Boot - Rubber, Battery Cable	BCBT
12	Solenoid Assembly	1002004	NOT SHOWN	Fuse	AS084



Wiring Diagram

TROUBLESHOOTING

Problem	Cause	Remedy
Engine fails to start.	1. Spark plug wire disconnected.	1. Connect wire to spark plug.
	2. Fuel tank not full enough or stale fuel.	2. Fill tank full with clean, fresh gasoline.
	3. Throttle control lever not in correct starting position.	3. Move throttle lever to FAST position.
	4. Choke not in CHOKE position.	4. Move choke to CHOKE position.
	5. Engine not primed properly.	5. Prime engine.
	6. Fuel valve not ON or blocked fuel line.	6. Turn on fuel valve or clean fuel line.
	7. Faulty spark plug.	7. Clean, adjust gap, or replace spark plug.
Engine is hard to start or runs erratic.	1. Spark plug wire loose.	1. Connect and tighten spark plug wire.
	2. Unit running on CHOKE.	2. Move choke lever to OFF position.
	3. Blocked fuel line or stale fuel.	3. Clean fuel line; fill tank with clean, fresh gasoline
	4. Water or dirt in fuel system.	4. Drain fuel tank. Refill with fresh gasoline.
	5. Dirty air cleaner.	5. Clean or replace air cleaner.
	6. Carburetor out of adjustment.	6. See authorized service center.
Cylinder rod will not extend or contract.	1. Cold weather clutch not engaged.	1. Engage cold weather clutch.
	2. Broken or improperly installed belt.	2. Replace or reinstall belt.
	3. Low hydraulic fluid.	3. Fill hydraulic tank to correct fluid level.
	4. Hydraulic lines blocked.	4. Flush and clean hydraulic system.*
	5. Damaged or broken pump.	5. See authorized service center.
	6. Damaged control valve.	6. See authorized service center.
Cylinder rod is slow or erratic while extending and contracting.	1. Low hydraulic fluid.	1. Fill hydraulic tank to correct fluid level.
	2. Contaminated hydraulic fluid.	2. Drain fluid, flush system, and refill.
	3. Excessive pump inlet vacuum.	3. Make certain pump hoses are clear and unblocked. Make certain hose in not collapsing under suction.
	4. Damaged pump.	4. See authorized service center.
	5. Damaged control valve.	5. See authorized service center.
	6. Internal cylinder damage.	6. See authorized service center.
Leaking Cylinder	1. Broken seals.	1. See authorized service center.
	2. Scored cylinder.	2. See authorized service center.
Engine will not turn over	1. Weak or dead battery.	1. Recharge or replace battery.
	2. Blown fuse.	2. Replace fuse.
	3. Corroded battery terminals.	3. Clean battery terminals.
	4. Loose or damaged wiring.	4. Check all wiring.
	5. Faulty ignition switch.	5. Check/replace ignition switch.
	6. Faulty solenoid.	6. Check/replace solenoid
Engine clicks but will not start	1. Weak or dead battery.	1. Recharge or replace battery.
	2. Corroded battery terminals.	2. Clean battery terminals.
	3. Loose or damaged wiring.	3. Check all wiring.
	4. Faulty solenoid.	4. Check/replace solenoid.
Battery will not charge	1. Bad battery.	1. Replace battery.
	2. Corroded battery terminals.	2. Clean battery terminals.
	3. Faulty solenoid.	3. Check/replace solenoid.
	4. Bad alternator.	4. See authorized service center.

NOTE: For repairs beyond those listed here, contact your nearest authorized service center.

* Flushing the reservoir tank and hoses with kerosene whenever service is performed on the tank, hydraulic pump or valve is recommended. Contact an authorized service center.

MAINTENANCE LOG

Date of Service	Service Performed		Notes

SPECIFICATIONS

Splitting Force	34 Tons
Engine	12.5 HP Briggs and Stratton I/C
Splitting Positions	Horizontal and Vertical
Cylinder Size	5" X 24"
Pump	2 Stage with Heavy Duty Bearings
Pump Specs	16 Gallons Per Minute
Valve	Auto Return
Drive System	Belt Drive 1:1 Ratio with Clutch for Easy Starting
Hydraulic System Fluid Capacity	20-24 Quarts
Maximum Log length	25 1/2"
Tire Specs	4.00 X 4.80 X 8 with High Speed Bearings
Ball Hitch	2" Ball
Unit Weight	660 Lbs

NOTES:



SWISHER HISTORY

Back before electricity came to rural Missouri Max Swisher was producing lawn mowers from his mother's chicken house. Max never liked to mow grass. He installed a gearbox on his family's lawn mower creating a self-propelled unit. By tying one end of a rope to the mower and the other end to a tree in the center of the yard the mower circled the tree, shortening the rope and guiding the mower in concentric circles. Max enjoyed relaxing under a shade tree while his invention did all the work.

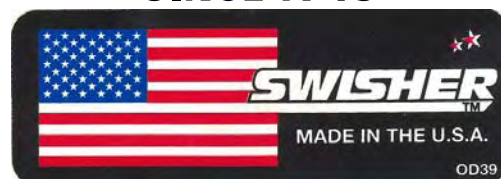
Max had designed his first self-propelled rotary lawn mower to do his dirty work for him. Neighbors noticed his new invention and began asking him to make more. Today, over 65 years later, Swisher is still producing innovative lawn and garden and ATV/UTV equipment designed to give us all more "relaxing in the shade" time.

Swisher products have been featured nationally on television programs such as Regis and Kathie Lee and seen in publications like ATV Magazine, Country Journal, Popular Mechanics Magazine and others. In January 2000 Popular Mechanics Magazine named Max's zero turning radius riding mower one of the 20th century's top household inventions.

Swisher offers value and function in its products to meet your grounds maintenance needs.

CELEBRATING OVER 65 YEARS OF INNOVATION

SINCE 1945





OWNER'S MANUAL

**MODEL NO.
LSEB125341350**

LOG SPLITTER

HOW TO ORDER REPAIR PARTS:

Each Log Splitter has its own serial number. Each engine has its own serial number. The serial number for the Log Splitter will be found on the right hand side of the hydraulic oil reservoir. The serial number for the engine will be found on the top of the blower fan housing.

All Log Splitter parts listed herein may be ordered directly from Swisher, your nearest Swisher dealer, or from our website.

All engine parts may be ordered from the nearest dealer of the engine supplied with your log splitter. Parts subject to change without notice.

WHEN ORDERING PARTS, PLEASE HAVE THE FOLLOWING INFORMATION AVAILABLE:

- * PRODUCT – SWISHER LOG SPLITTER
- * SERIAL NUMBER - _____
- * MODEL NUMBER - _____
- * ENGINE MODEL NUMBER - _____
TYPE - _____
- * PART NUMBER
- * PART DESCRIPTION

www.swisherinc.com
TELEPHONE - 1-800-222-8183
FAX - 1-660-747-8650

SWISHER
1602 CORPORATE DRIVE
WARRENSBURG MO 64093

SWISHER