

**MODEL NO.
TF-57**

**OWNER'S
MANUAL**

CAUTION:

Read *ALL* instructions
carefully *BEFORE*
starting your installation.

*Save this manual for
future reference*



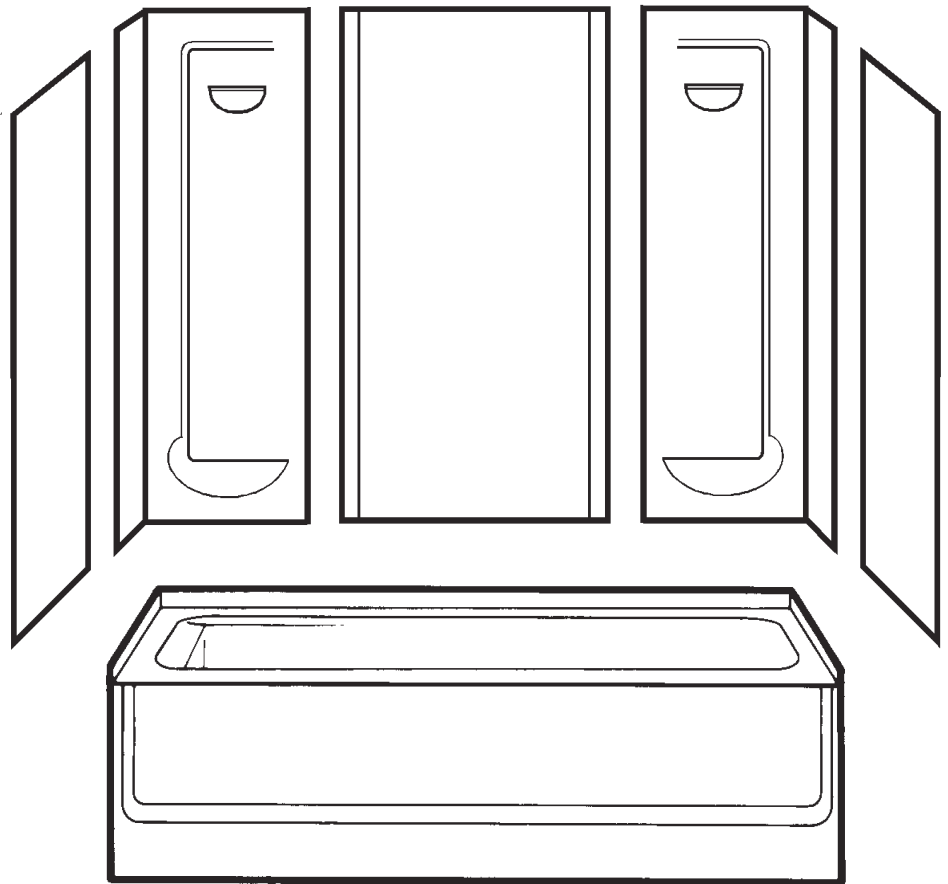
SWAN

The Swan Corporation

Installation procedures for

PRESSED FIBERGLASS TUBWAL KIT

Designed for areas 58" to 60" wide, 28" to 30" deep.

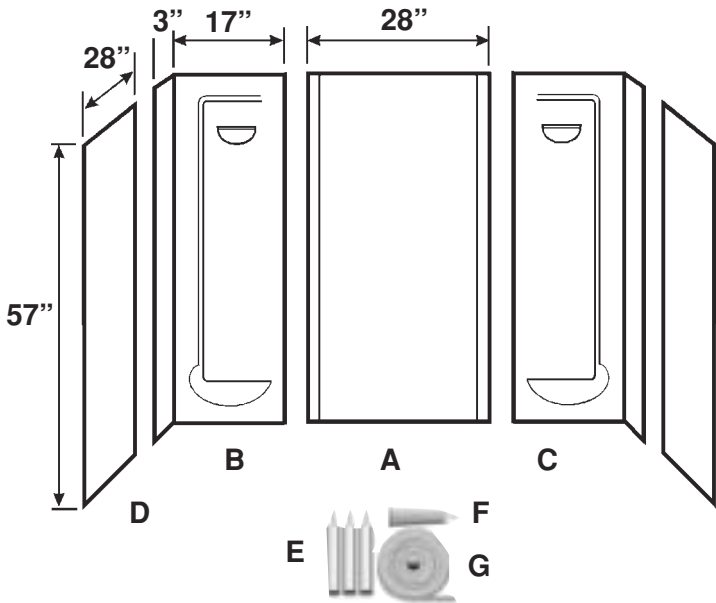


INSTALLATION • CARE AND CLEANING • REPAIR PARTS

STEP-BY-STEP INSTALLATION INSTRUCTIONS

MODEL TF-57

DESIGNED FOR AREAS 58" TO 60" WIDE, 28" TO 30" DEEP



INCLUDED IN CARTON:

- A One back panel
- B One fiberglass left corner panel
- C One fiberglass right corner panel
- D Two fiberglass side panels
- E Three tubes adhesive
- F One tube caulk
- G One roll pressure sensitive tape



TOOLS REQUIRED TO INSTALL

The only tools needed are: saber saw, drill, ruler, caulking gun, three tubes of adhesive, one tube of caulk, pressure sensitive double stick tape, and whatever tools needed to remove faucet handles.

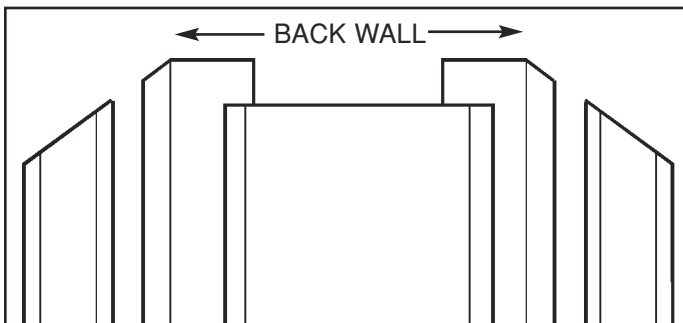
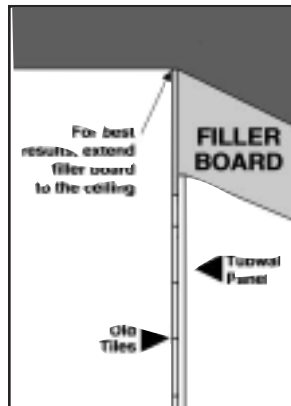
This Fiberglass TUBWAL KIT system is designed to be installed over any clean, solid, dry surface. It can be used with most conventional tubs. Works well in remodeling or new construction.

IMPORTANT

FILLER BOARD

Measure the height of the tiles from the tub ledge upward. If the tiles measure less than 57", it is necessary to install a filler board. The filler board must equal the thickness of the tile. Usually, 1/4" masonite or similar material is adequate.

For best results, extend the filler board from the top tile edge to the ceiling.



FITTING

Before installing the TF-57 tubwal, measure the width of the back wall. TF-57 panels will cover an area from 58" to 60". If the wall measures less than 58", you cannot use Model TF-57.

READ ALL INSTALLATION INSTRUCTIONS BEFORE STARTING.

TRIAL FIT BEFORE YOU BEGIN!

INSTALLATION PROCEDURE

Allow panels to adjust to room temperature (65° to 90°) for at least 6 hours.

Next, turn off the hot and cold water supply, remove faucet handles, escutcheons, filler spouts and any fittings mounted to the wall that will be covered ie. towel bars, soap dishes, etc.

Use a hammer and chisel to remove objects cemented to walls. Old ceramic tiles, if solidly adhered to walls, may be covered with the Swan Tubwal panels and need not be removed.

Loose ceramic tiles must be removed and sub walls sanded smooth. All plastic tiles whether secure or loose, must be removed and sub walls sanded smooth.

Front edge ceramic tiles may be reset for appearance if desired. Remove soap film and all dirt from wall surface using detergent. Wipe dry. Wall surface must be dry before panels can be applied.

This Fiberglass TUBWAL KIT may be applied to surfaces such as drywall, plaster, ceramic tile, painted surfaces etc.

WALL SURFACE PREPARATION RECOMMENDATIONS FOR SWAN TUBWAL AND SHOWERWAL UNITS

When installing over SHEETROCK/GREENBOARD/WOOD:

- A) Surface must be dry, smooth and free of any dust, soap scum or any other contaminants. Wipe wall surface with a damp cloth.
- B) For maximum adhesion, the area where the double-faced tape adheres to the wall surface should be sealed with a primer (Bin-Seal or all purpose enamel paint).
- C) After primer/sealer is completely dry, complete the installation following the installation instruction sheet.

When installing over PLASTER:

- A) Surface must be dry, smooth and free of any dust, soap scum or any other contaminants. Wipe wall surface with a damp cloth.
- B) The area where the double-faced tape adheres to the wall surface (textured/swirled finish must be sanded smooth) should be sealed with a primer (Bin-Seal or all purpose enamel paint).
- C) After primer/sealer is completely dry, complete the installation following the installation instruction sheet.

When installing over CEMENT/CONCRETE:

- A) Surface must be dry, smooth and free of any dust, soap scum or any other contaminants. Wipe wall surface with a damp cloth.
- B) The complete area should be sealed with two coats of primer (Bin-Seal or all purpose enamel paint).
- C) After primer/sealer is completely dry, complete the installation following the installation instruction sheet.

When installing over OLD TILE:

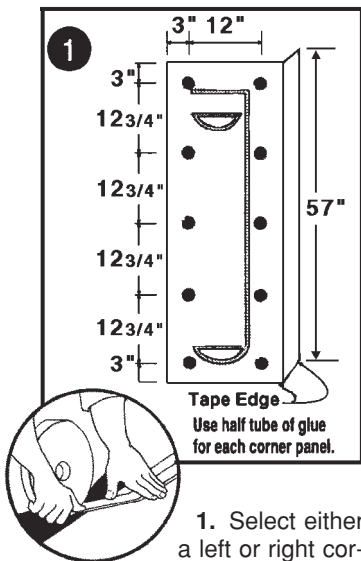
- A) Surface must be dry, smooth and free of any dust, soap scum or any other contaminants. Wipe wall surface with a damp cloth.
**NOTE: CERAMIC: LOOSE TILE MUST BE REMOVED.
PLASTIC: ALL TILE MUST BE REMOVED.**
- B) Complete the installation following the installation instruction sheet.

When installing over WALLPAPER:

- A) All wallpaper must be removed from the area to be covered by unit. Surface must be dry, smooth and free of any dust, soap scum or any other contaminants. Wipe wall surface with a damp cloth.
- B) For maximum adhesion, the complete wall surface area to be covered by unit should be sealed with two coats of primer (Bin-Seal or all purpose enamel paint).
- C) After primer/sealer is completely dry, complete the installation following the installation instruction sheet.

When installing over MASONITE:

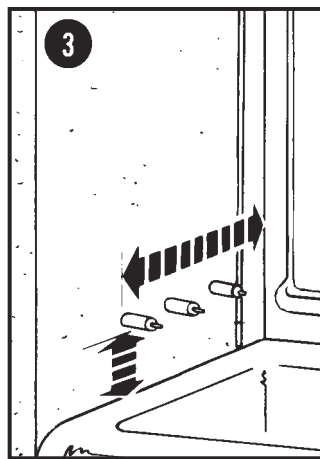
- A) Surface must be dry, smooth and free of any dust, soap scum or any other contaminants. Wipe wall surface with a damp cloth.
- B) Complete installation following the installation instruction sheet.



1. Select either a left or right corner panel and trial fit. Apply pressure sensitive tape 1" inch from each edge. Apply adhesive in 1-1/2" diameters as shown above. The measurements above are approximations only. Keep adhesive 1" away from tape. Peel backing from the tape before applying panel to the wall.



2. Carefully position corner panel and press it firmly to the wall. Move hand pressure up and down and side-to-side making sure all areas are in firm contact with the wall. Repeat steps 1 and 2 for the other corner panel.



3. Measure location of plumbing outlets from corner panel forward and upward from the top ledge of tub. Mark the position on the corresponding side panel.

Trial fit before drilling.

NOTE

Allow for overlap of the corner panel.

TIP

Keep top of panels aligned for a clean professional looking installation.

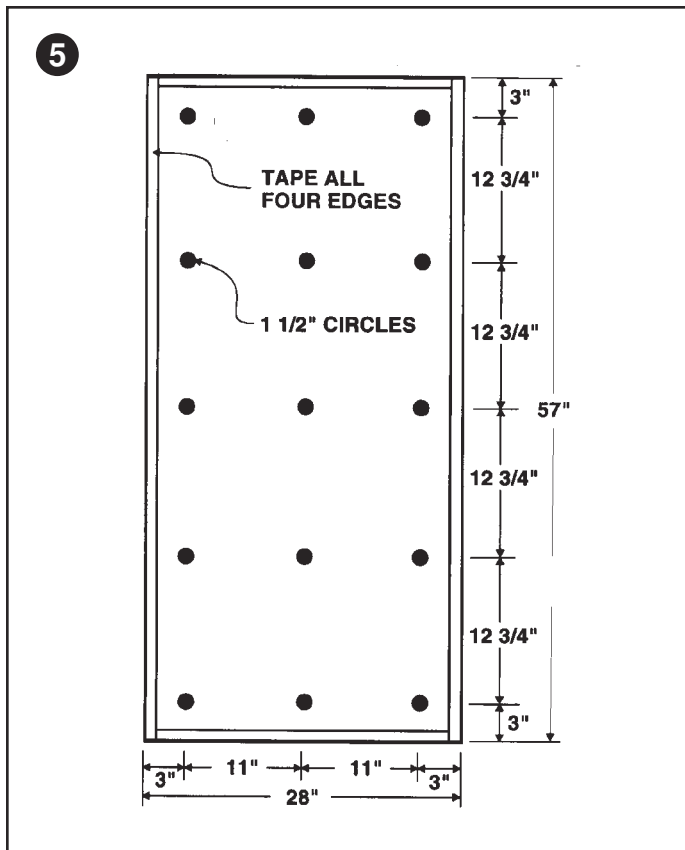


4. Use a drill with a hole cutting bit, or a hole saw to cut the openings for the faucet and handle outlets. Cut the holes 1/2" larger than the diameter of the outlets.

Drill or cut from the finished side of the panel.

For best results when drilling, place a piece of scrap wood beneath the panel where the hole is to be made. This provides for a cleaner hole.

Trial fit before proceeding.



5. Apply adhesive to back of panels with the application pattern indicated at left. The measurements given are approximate. However, adhesive must not come into contact with the tape. Peel and remove backing from tape prior to application. Use 2/3 tube of glue for each side and back panel.



6. Grasp side panel firmly by the edges, carefully position overlapping corner panel and press firmly into wall. A 1" overlap is recommended. Use even pressure from top to bottom and side-to-side to insure solid wall contact. Install other side panel and back panel in like manner.

CAULKING

Follow instructions on the caulking tube and apply a bead of caulk along the bottom and top edges of the entire unit. The center panel's two lapping vertical seams and each side panel's vertical seam may be caulked if desired. However, it is not necessary.

IMPORTANT

Do not use the bath for 24 hours to allow for proper curing of adhesive and caulk.

CARE AND CLEANING

All panels in this kit are made of fiberglass reinforced polyester. The finish is stain and abrasion resistant. However, the finish requires reasonable care. Wash regularly with warm water, use a soft cloth with mild detergent such as: Top Job, Tough Act or Ajax Liquid Cleaner. Scouring pads made of nylon, saran or polyethylene may be also be used.

IMPORTANT

Never use abrasive scouring powders, cleaners or steel pads. They will dull the finish.