

SW-7032

OWNERS MANUAL

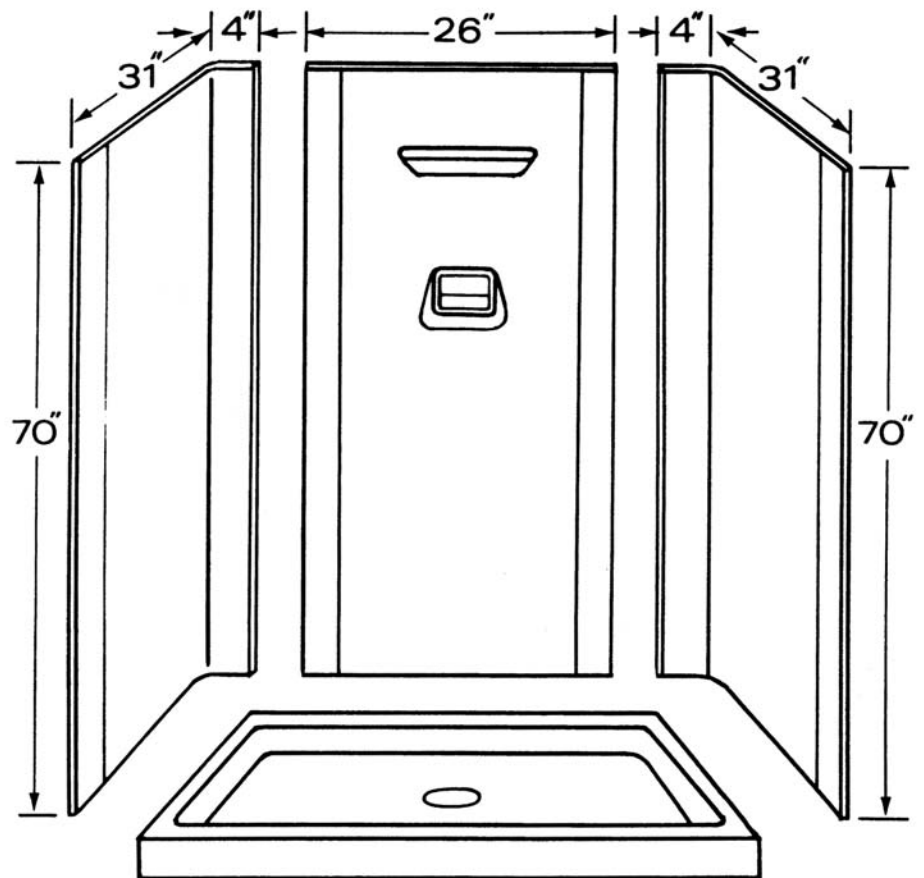
CAUTION:

Read **ALL** instructions carefully **BEFORE** starting your installation.

LIMITED **Lifetime**
WARRANTY

*Save this manual for
Future Reference.*

Installation procedures for
SW-7032
Designed for Base 32" x 32"



INSTALLATION • CARE AND CLEANING • REPAIR PARTS

STEP-BY-STEP INSTALLATION INSTRUCTIONS:

MODEL SW-7032
DESIGNED FOR BASE 32" X 32"

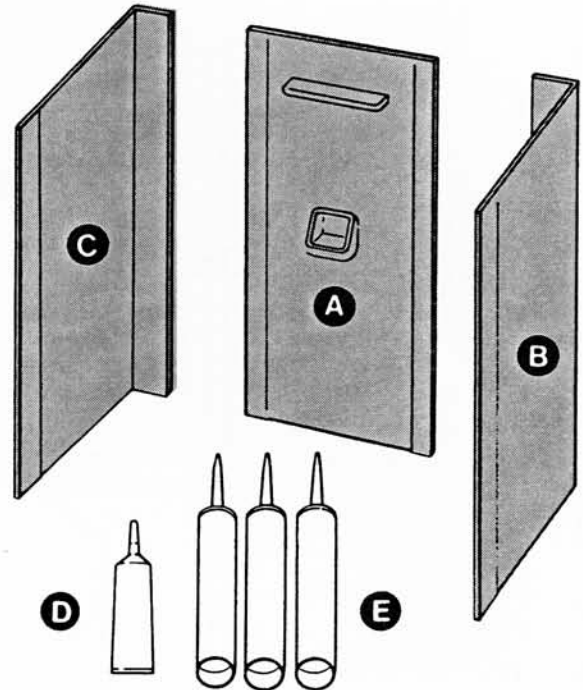
This Fiberglass SHOWERWAL Kit system is designed to be installed over any solid dry surface around the bathtub. It can be used with most conventional tubs over existing walls as well as in new construction.

BE SURE TO READ THE ENTIRE INSTALLATION SHEET BEFORE STARTING.

Allow package to adjust to room temperature for at least 6 hours. (65°-90°F)

Next, turn off hot and cold water supply, remove faucet handles, escutcheons, filler spouts or fittings mounted to wall to be covered-including soap dishes, towel bars, etc.

Use hammer and chisel to remove objects cemented to walls. Old ceramic tiles if adhered solidly to walls can be covered over with this FIBERGLASS SHOWERWAL KIT. Remove any loose tiles, sand sub wall surfaces smooth. Front edge tiles should be reset for appearance only. Be sure to remove soap film and dirt from all wall surfaces using household detergent, then wipe dry.



TOOLS REQUIRED TO INSTALL

The only tools needed are a saber saw or drill, ruler, caulking gun and whatever tools needed to remove faucet handles.

Panels mount to the wall with supplied adhesive. Panels come with factory applied pressure sensitive tape affixed permanently to the outside edges.

DO NOT NAIL PANELS TO SUBWALLS. THE HOLES IN THE END PANELS ARE FOR MANUFACTURING PURPOSES ONLY!

Inspect all panels before installation for damage that may have occurred in handling or transit.

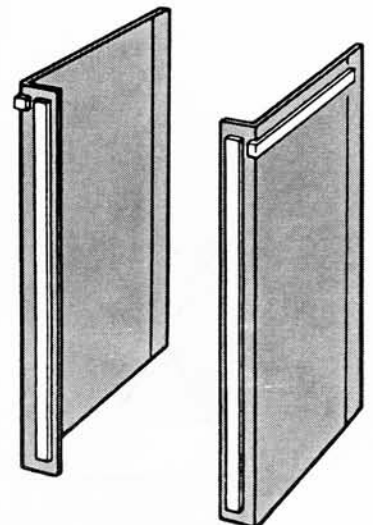
INCLUDED IN THE CARTON

- A** One back panel.
- B** One right-hand end panel.
- C** One left-hand end panel.
- D** One tube of caulk.
- E** Three tubes of adhesive.

THE INSTALLATION:

END PANELS

NOTE: Both end panels are identical except for the factory applied tape-pattern on the back sides. The bottom edges which rest on the shower floor have not been taped. This will enable you to distinguish the left panel from the right.



WALL SURFACE PREPARATION RECOMMENDATIONS FOR SHOWER WALL UNITS

When installing over SHEETROCK/GREENBOARD/WOOD:

- A. Surface must be dry, smooth, and free of any dust, soap scum or any other contaminants. Wipe wall surface with a damp cloth.
- B. To insure proper adhesion between the Swanstone product and Sheetrock/Greenboard/Wood, it is best to use a primer/sealer, and it is IMPORTANT to follow these guidelines: Oil based primer/sealers (such as Bin-Seal, or all purpose enamel paint) should NOT be used to cover the entire wall surface (Sheetrock/Greenboard/Wood) but only should be applied at the areas where the double-faced tape adheres to the wall surface. Water based primer/sealers (such as latex paint) MAY be used to cover the entire wall surface (Sheetrock/Greenboard/Wood).
- C. After the proper primer/sealer is completely dry, complete the installation following the installation instruction sheet.

When installing over PLASTER:

- A. Surface must be dry, smooth and free of any dust, soap scum or any other contaminants. Wipe wall surface with a damp cloth.
- B. The wall surface (textured/swirled finish must be sanded smooth) must be sealed with a primer (Bin-Seal or other primer/sealer).
- C. After primer/sealer is completely dry, complete the installation following the installation sheet.

When installing over CEMENT/CONCRETE:

- A. Surface must be dry, smooth and free of any dust, soap scum or any other contaminants. Wipe wall surface with a damp cloth.
- B. The complete area must be sealed with two coats of primer. (Bin-Seal or other primer/sealer).
- C. After primer/sealer is completely dry, complete the installation following the installation sheet.

NOTE:

- CERAMIC: LOOSE TILE MUST BE REMOVED.
- PLASTIC: ALL TILES MUST BE REMOVED.

When installing over OLD TILE:

- A. Rough up the glossy tile surface by belt sanding the wall area with 60-grit sandpaper.
- B. Surface must be dry, smooth and free of any dust, or any other contaminants. Wipe wall surface with a damp cloth.
- C. For proper adhesion, the wall surface must be sealed with a primer (Bin-Seal or other primer sealer).
- D. After primer/sealer is completely dry, complete the installation following the installation sheet.

When installing over WALL PAPER:

- A. All wallpaper must be removed from the area to be covered. Surface must be dry, smooth and free of any dust, soap scum or any other contaminants. Wipe wall surface with a damp cloth.
- B. The complete wall surface area to be covered by unit must be sealed with two coats of primer (Bin-Seal or other primer sealer).
- C. After primer/sealer is completely dry, complete the installation following the installation sheet.

When installing over MASONITE:

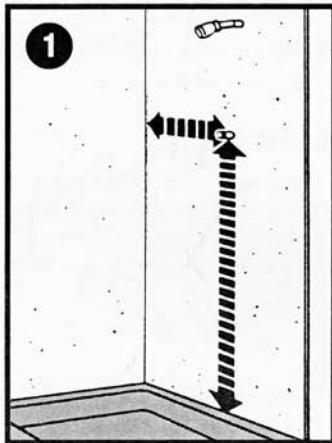
- A. Surface must be dry, smooth and free of any dust, soap scum or any other contaminants. Wipe wall surface with a damp cloth.
- B. For proper adhesion, the wall surface must be sealed with a primer (Bin-Seal or other primer sealer).
- C. Complete the installation following the installation sheet.

1

After shower receptor has been installed, dry wall applied to framed in areas - proceed to complete the walled sections of shower as follows.

TRIAL FIT BEFORE YOU START!

If walls are out of plumb it may be necessary to file bottom edge of panels to achieve a good fit across the top. Measure location of plumbing outlets from backwall forward and from top edge of receptor upward, then mark on proper end panel.



2

Use a drill and a hole cutting bit, or a hole saw. Cut holes 1/2" larger than the diameter of the pipes. Drill or cut from finished side of the end panel. For best results place scrap wood beneath hole to be cut, this will give you a clean cut opening.



3

TRIAL FIT each end panel before proceeding. It is important that they fit properly along the top edge to maintain a water-tight seal.

The back panel is slightly taller than the end panels for this reason.



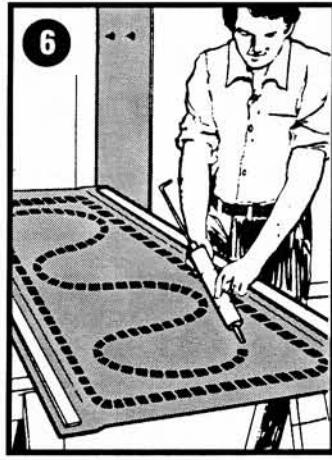
4

Prepare to apply either end panel to wall. Apply adhesive to back, (follow pattern shown in illustration) adding a circle of same around the drilled holes. Keep all adhesive 1" away from factory applied tape.





5
Remove backing from factory applied pressure sensitive tape. Grasp end panel by edges, carefully position in corner. Press firmly into the corner from top to bottom, then press the entire surface the same way to insure solid wall contact.
This procedure should be used for both end panels.



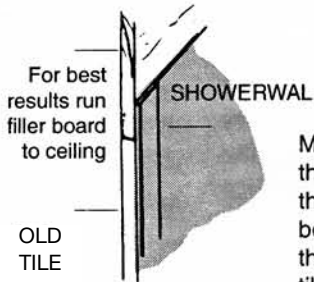
6
Next prepare the back panel. Apply adhesive in similar pattern as shown above. NOTE: Back panel is slightly taller than end panels, this allows overlap at top edge. Remember keep all adhesive 1" away from pressure sensitive tape.



7
Remove backing from factory applied pressure sensitive tape. Grasp back panel by edges, carefully center, allow left & right top edges to **overlap** the end panels. Firmly press entire panel from top to bottom making sure of solid contact.



8
Following instructions on the caulking tube...apply a bead of caulking along bottom edge of back panel and end panels. The back panel's two lapping edges and the extreme left and right front edges of end panels may also be caulked if desired, however, it is NOT necessary.



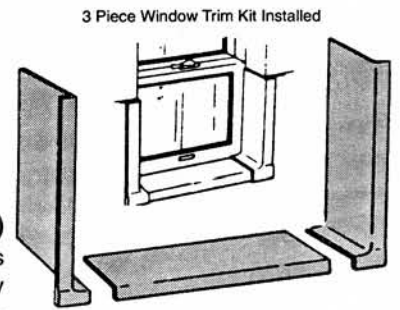
FILLER BOARD

Measure the height of your tile from the receptor ledge up...if tile is less than 70" then you must install a filler board. The filler board must equal the same thickness of the missing tile. Usually 1/4" masonite or similar material is adequate.

For best results run your filler board from the tile ledge to the ceiling.

WINDOW TRIM KIT

(not part of SHOWERWAL KIT)
This Fiberglass Window Trim Kit is designed to eliminate unsightly sills, decorate and make waterproof the left and right jams plus provide a waterproof-natural draining sill.



IMPORTANT

Please allow unit to be installed for 24 hours before using.
This will allow proper curing of adhesive and caulking material.

CARE AND CLEANING

All panels in this kit are made of fiberglass reinforced polyester with a tough polyurethane coating. Finish is stain and abrasion resistant; however, the finish requires reasonable care.

Wash regularly with warm water, use soft cloth with mild detergent such as - Top Job, Tough Act or Ajax Liquid Cleaner.

Scouring pads made of nylon, saran or polyethylene may be used but NEVER USE ABRASIVE SCOURING POWDERS, CLEANERS OR PADS...THEY DULL FINISH.

Protect finish with any fiberglass wax or automotive paste wax.

CAUTION

Dry cleaning agents and solvents will damage the surface. Burning cigarettes will damage and discolor surface.

CAULKING

Following instructions on the caulking tube...apply a bead of caulking along bottom and top edge of unit. The back and side panels' overlapping edges and the extreme left and right front edges of the end panels may also be caulked if desired, however, it is NOT necessary.