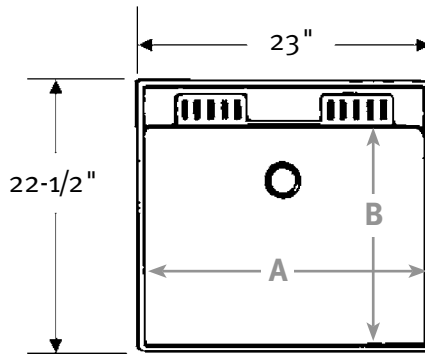


Manufactured from Swanstone Veritek®
(see page 2 for detailed information)

WARRANTY
Limited 1-year – Residential
Limited 1-year – Commercial

FEATURES

- Made of sturdy Veritek with no surface coating to chip or crack
- Will not mold or mildew



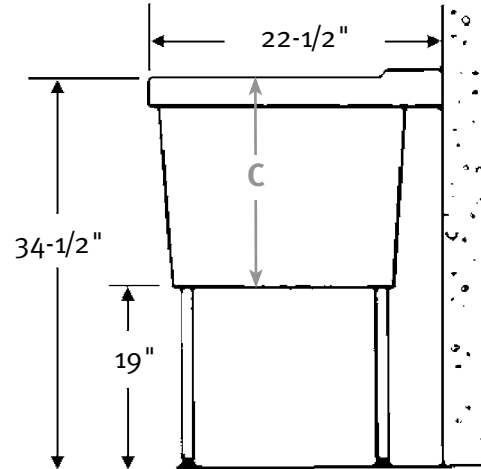
ST-1F Floor Model

- 4 chrome-plated tubular steel legs
- 22 gallon capacity (83L)

ST-1W Wall Mounted Model

- Wall bracket assembly
- 22 gallon capacity (83L)

ST-1F Floor Model
22-1/2" D x 23" W
(572 mm x 584 mm)
A 21-5/8", B 17-1/2", C 15-1/2"



SPECIFICATIONS

ST-1F & ST-1W Veritek® Single Laundry Tubs

Model	Part	Dimensions	Ship Wt. Lb.	Ship UPS	Carton Dims. In.	Cu. Ft.
ST-1F Floor Model	ST10000FM	22-1/2" D x 23" W (572 mm x 584 mm)	24	UPS	24 x 23 x 17	5.43
ST-1W Wall Model w/Hanger	ST10000WM	22-1/2" D x 23" W (572 mm x 584 mm)	25	UPS	24 x 23 x 17	5.43
ST-1F-6PK Floor Model	ST1000006	22-1/2" D x 23" W (572 mm x 584 mm)	94	—	40 x 24 x 23	12.78
ST-1W-6PK Wall Model	ST1000006	22-1/2" D x 23" W (572 mm x 584 mm)	94	—	40 x 24 x 23	12.78

COLORS (See pg. 139 for color sample.)

- White (010)

ST-1F Includes: One single tub, one set of tubular steel legs (4) with hardware, drain and complete installation instructions.

ST-1W Includes: One single tub, wall bracket assembly, drain and complete installation instructions.

Packaging: Packed in individual cartons.

ST-1F-6PK Includes: Six-pack single tubs, tubular steel legs (24) with hardware, drains and complete installation instructions.

Packaging: Packed in 6-packs. Requires two cartons: one for tubs; one for legs.

ST-1W-6PK Includes: Six-pack single tubs, wall bracket assemblies (6) with hardware, drains and complete installation instructions.

Packaging: Packed in 6-packs. Requires two cartons: one for tubs; one for wall bracket assemblies.

STANDARDS AND RATINGS

American National Standard Institute—ANSI Z124.6

International Association of Plumbing and Mechanical Officials (IAPMO)—listed

cUPC listed—Certified to CSA Standard B45 by IAPMO

American Society for Testing and Materials

National Electrical Manufacturers Association

SUPPORT DOCUMENTS

Installation instructions available on line at www.swanstone.com

MAINTENANCE AND CLEANING INFORMATION

Clean your Veritek laundry tub with powdered abrasive cleaners. Use of a Scotch-Brite pad is recommended to remove stubborn stains. Occasional use of a mild bleach and water solution ensures that the original luster is maintained.