

**Double Threshold & Neo Angle**

**SWANSTONE SHOWER FLOORS**

**With Fit-Flo Drain**

**Manufactured from Swanstone solid surface**  
(see page 2 for detailed information)

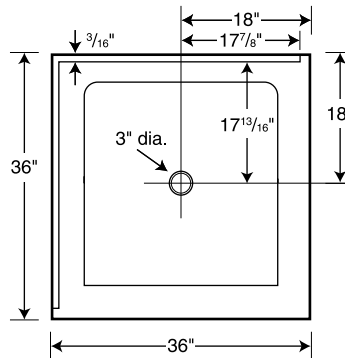
**WARRANTY**  
Limited Lifetime – Residential  
Limited 10-year – Commercial

*Recommended for high use traffic areas and commercial surfaces*

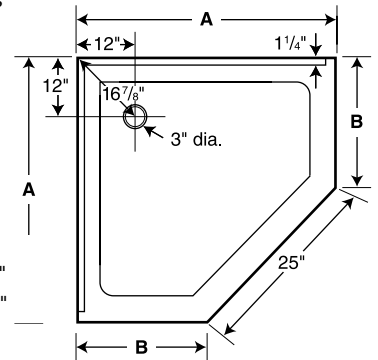
**FEATURES**

- Reinforced solid surface means color and texture run all the way through and cannot wear away
- Will not mold or mildew, no grout to clean
- Coordinates with Swanstone shower and bath systems

SS-36DTF  
Double  
Threshold

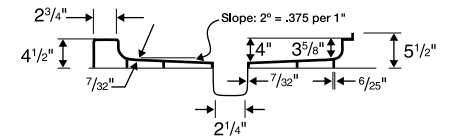


Model	A	B
SS-36NEO	36"	18"
SS-38NEO	38"	20"



Model	Nominal Size	Rough-In Dimensions			
		36"	36"	18"	18"
SS-36DTF	36" x 36"	36-1/16"	36-1/16"	18-3/16"	18-3/16"
		A	B	25"	12"
SS-36NEO	36" x 36"	36-1/8"	18-3/16"	25-1/8"	12-3/16"
SS-38NEO	38" x 38"	38-1/8"	20-3/16"	25-1/8"	12-3/16"

**IMPORTANT:** Rough-in dimensions are provided for reference only. You must measure the actual shower floor and check local building code requirements before construction of the stud wall.



**SPECIFICATIONS**

**Double Threshold & Neo Angle Shower Floors With Fit-Flo Drain**

Model	Part	Nominal Size Dimensions	Ship Wt. Lb.	Ship UPS	Carton Dims. In.	Cu. Ft.
<b>Double Threshold Shower Floor</b>						
SS-36DTF	SD03636MD	36" D x 36" W DTF (914 mm x 914 mm)	44	-	42 X 41 X 10	10
<b>Neo Angle Shower Floors</b>						
SS-36NEO	SN00036MD	36" D x 36" W (914 mm x 914 mm)	40	-	42 X 42 X 10	11
SS-38NEO	SN00038MD	38" D x 38" W (965 mm x 965 mm)	44	-	44 X 43 X 10	11

Kit Includes: One code approved compression molded Swanstone floor with molded-in Fit-Flo drain and complete installation instructions.

Packaging: Each floor packed in a rectangular carton.

**STANDARDS AND RATINGS**

Class 1A fire rating

American National Standard Institute—ANSI Z124.1.2–2005

International Association of Plumbing and Mechanical Officials (IAPMO)—listed cUPC listed—Certified to CSA Standard B45 by IAPMO

American Society for Testing and Materials

National Electrical Manufacturers Association

National Sanitation Foundation-NSF Splash Zone, -NSF Food Zone

For a complete list of tests and results see the Technical Data Sheet – page 129.

**SUPPORT DOCUMENTS**

Installation instructions available on line at [www.swanstone.com](http://www.swanstone.com)

**COLORS** (See pg. 139 for color sample.)

- White (010)
- Bone (037)
- Bisque (018)
- Almond Galaxy (046)
- Arctic Granite (035)
- Barley (091)
- Bermuda Sand (040)
- Gray Granite (042)
- Green Pasture (095)
- Sierra (094)
- Tahiti Blue (056)
- Tahiti Desert (050)
- Tahiti Evergreen (057)
- Tahiti Gray (053)
- Tahiti Ivory (059)
- Tahiti Matrix (058)
- Tahiti Rose (052)
- Tahiti Sand (051)
- Tahiti Terra (055)
- Tahiti White (011)
- Cornflower (063)
- Ironweed (061)
- Night Sky (012)
- Purple Sage (064)
- Wild Indigo (022)
- Winter Wheat (060)
- Indian Grass (071)
- Pebble (072)
- Seafoam (074)

**MAINTENANCE AND CLEANING INFORMATION**

Everyday cleaning should consist of liquid cleaners such as Dow or Lysol foaming bubbles, Top Job, Mr. Clean or liquid Lysol along with a sponge. Remove hard water stains, mineral or soap build-up with scale removers such as Lime-Away. If necessary, you may use an abrasive cleaner such as Ajax or Comet with a nylon brush or pad to remove build up on the pebble surface. Do not use steel wool or a wire brush. An abrasive cleaner, brush or pad will not remove the finish because the color is molded throughout. However, it is best to avoid the higher sheen surface of the floor. Prolonged scrubbing of this area could cause it to look dull and promote soap build up.