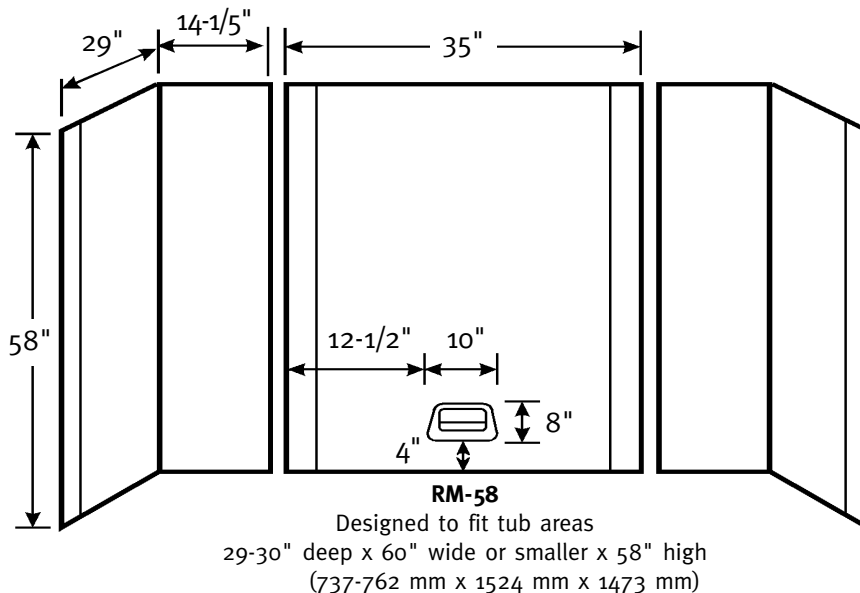


Manufactured from Swanstone High-Gloss
(see page 2 for detailed information)

WARRANTY
Limited Lifetime – Residential
Limited 5-year – Commercial

FEATURES

- Will not mold or mildew, no grout to clean
- Ideal for both remodeling projects and new construction
- Ultra-bright, glossy surface comes from durable, baked-on finish
- A variety of colors to choose from to customize a bath
- The RM-58 is a glue-up 3-piece compression molded unit with a high-gloss, smooth surface
- Patented design keeps shower head spray from aiming at seams



SPECIFICATIONS

RM-58 High-Gloss 3-Panel Tub Wall

Model	Part	Tub Area Designed To Fit	Ship Wt. Lb.	Ship UPS	Carton Dims. In.	Cu. Ft.
RM-58	RM58000	29-30" D x 60" W* x 58" H (*or smaller) (737-762 mm x 1524 mm x 1473 mm)	53	-	66 x 37 x 9	12.72

Kit Includes: One back panel with molded-in soap dish, two end panels, one roll of pressure sensitive tape, three tubes of adhesive, one tube of caulk and complete installation instructions.

Packaging: Each kit is packed in a triangular carton.

See page 55 for complete listing of all tub wall accessories.

STANDARDS AND RATINGS

Class B fire rating

American Society for Testing and Materials

National Electrical Manufacturers Association

SUPPORT DOCUMENTS

Installation instructions available on line at www.swanstone.com

COLORS (See pg. 139 for color sample.)

- White (010)
- Bone (037)
- Bisque (018)

**MAINTENANCE AND
CLEANING INFORMATION**

The surface is stain and abrasion resistant, however it requires reasonable care. Wash regularly with warm water; use a soft cloth with a mild liquid detergent such as Handy Andy, Mr. Clean or Lestoil. Scouring pads made of nylon, saran or polyethylene may be used but *never* use abrasive scouring powders, cleaners or pads...they dull the finish. Protect finish with any fiberglass wax or automotive paste wax.