

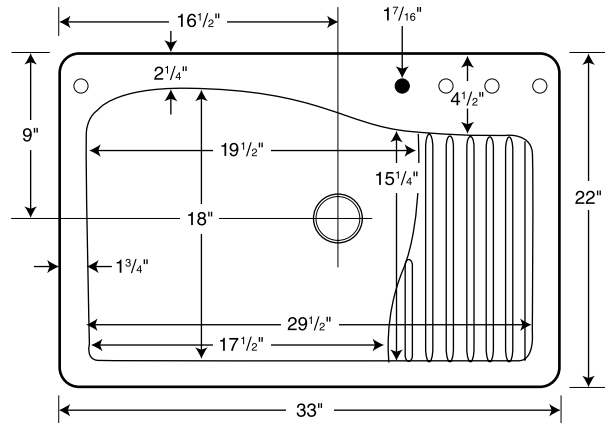
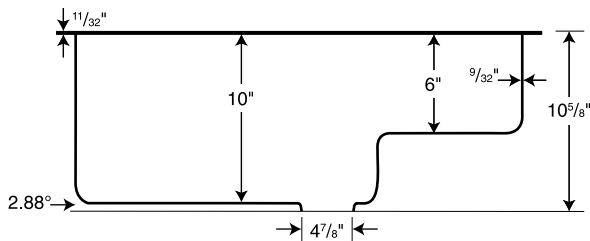
Manufactured from Quartz natural stone
(see page 2 for detailed information)

Recommended for high use traffic areas and commercial surfaces

WARRANTY
Limited Lifetime – Residential
Limited 10-year – Commercial

FEATURES

- Made with 80% quartz stone, only a diamond is harder
- Virtually indestructible, will not damage from kitchen use
- Standard sink size
- Ideal for remodeling or new construction
- Offers design flexibility, installs as a drop-in or undermount



○ Drill Points ● Pre-drilled

SPECIFICATIONS

QZAD-3322 Large Single Ascend™ Bowl

Model	Part	Dimensions	Ship Wt. Lb.	Ship UPS	Carton Dims. In.	Cu. Ft.
QZAD-3322	QZ03322AD	33" W x 22" D (838 mm x 559 mm)	54	UPS	39 x 26 x 13	7.63

ACCESSORIES

- QZ-22 Cutting Board

STANDARDS AND RATINGS

American National Standard Institute—ANSI Z124.6
Heat resistance to 392°F, 200°C

SUPPORT DOCUMENTS

Installation instructions available on line at www.swanstone.com

COLORS (See pg. 139 for color sample.)

- Bianca (075)
- Granito (076)
- Nero (077)

MAINTENANCE AND CLEANING INFORMATION

The recommended way to clean your sink is by washing with soap or detergent and warm water, ideally after use. The surface can be wiped with a clean soft cloth. This procedure, if carried out regularly should be sufficient to keep the surface clean and stain free. Heavy staining liquids such as dyes and vegetable juices should be washed off as soon as possible. Avoid the use of abrasive cleaners such as scouring pads and steel wool on the sink as such cleaners tend to abrade the surface, which aggravates cleaning.

Undermount clips sold separately. Faucet options are limited to available hole placement. Please contact your dealer for more information.