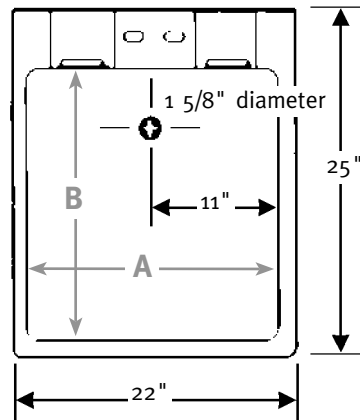


Manufactured from Polypropylene

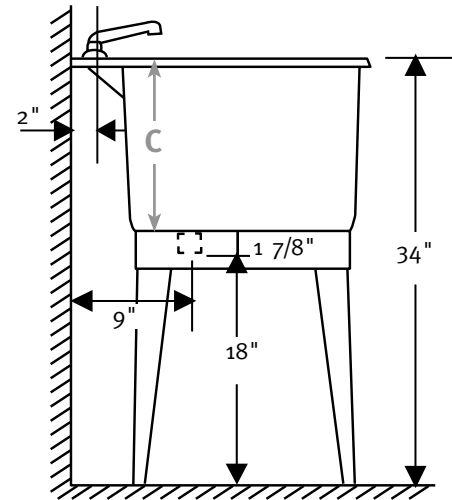
WARRANTY
Limited 1-year – Residential
Limited 1-year – Commercial

FEATURES

- Molded-in drain and stopper
- Made of sturdy polypropylene
- Affordable utility
- One set of angular steel legs (4)
- 22 gallon capacity (83L)



PT-1
25" D x 22" W
(635 mm x 559 mm)
A 20", B 20", C 13-1/2"



SPECIFICATIONS

PT-1 Polypropylene Single Laundry Tub

Model	Part	Dimensions	Wt. Lb.	Ship		Carton
				UPS	Ship Dims. In.	Cu. Ft.
PT-1 Floor Model	PT10000	25" D x 22" W (635 mm x 559 mm)	15	UPS	26 x 23 x 18	6.23
PT-1-6PK Floor Model	PT1000006	25" D x 22" W (635 mm x 559 mm)	70	UPS	36 x 26 x 24	13.00
PT-1-92PK Floor Model	PT1000092	25" D x 22" W (635 mm x 559 mm)	1182	—	SKID PACK	—

COLORS (See pg. 139 for color sample.)

- White (010)

PT-1 Includes: One single tub, one set of angular steel legs (4) with hardware and complete installation instructions.

Packaging: Packed in individual cartons.

PT-1-6PK Includes: Six-pack single tubs, angular steel legs (24) with hardware and complete installation instructions.

Packaging: Packed in two cartons: one for tubs and one for legs.

PT-1-92PK Includes: Ninety-two pack single tubs, angular steel legs with hardware and complete installation instructions.

Packaging: Packed on skid.

STANDARDS AND RATINGS

American National Standard Institute—ANSI Z124.6

International Association of Plumbing and Mechanical Officials (IAPMO)—listed

cUPC listed—Certified to CSA Standard B45 by IAPMO

SUPPORT DOCUMENTS

Installation instructions available on line at www.swanstone.com

MAINTENANCE AND CLEANING INFORMATION

Clean your polypropylene laundry tub with powdered abrasive cleaners. Use of a Scotch-Brite pad is recommended to remove stubborn stains. Occasional use of a mild bleach and water solution ensures that the original luster is maintained.