

Manufactured from Swanstone Veritek®
(see page 2 for detailed information)

WARRANTY
Limited 1-year – Residential
Limited 1-year – Commercial

FEATURES

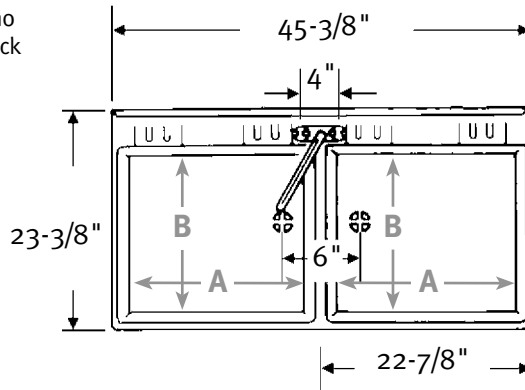
- Made of sturdy Veritek with no surface coating to chip or crack
- Will not mold or mildew

MF-2F Floor Model

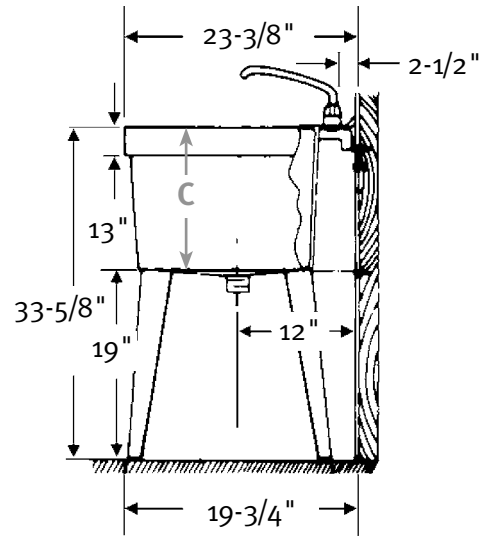
- 4 angular steel legs
- Pre-drilled 4" centers
- Installed drain
- 44 gallon capacity (166L)
- Molded-in wash board

MF-2W Wall Mounted Model

- Wall bracket assembly
- Pre-drilled 4" centers
- Installed drain
- 44 gallon capacity (166L)
- Molded-in wash board



MF-2F Floor Model
23-3/8" D x 45-3/8" W
(594 mm x 1153 mm)
A 22", B 19-1/8", C 13-5/8"



SPECIFICATIONS

MF-2F & MF-2W Veritek® Double Laundry Tubs

Model	Part	Dimensions	Ship Wt. Lb.	Ship UPS	Carton Dims. In.	Cu. Ft.
MF-2F Floor Model	MF20000FM	23-3/8" D x 45-3/8" W (594 mm x 1153 mm)	49	UPS	47 x 24 x 18	11.75
MF-2W Wall Model	MF20000WM	23-3/8" D x 45-3/8" W (594 mm x 1153 mm)	49	UPS	47 x 24 x 18	11.75

MF-2F Includes: One double tub, factory installed drain, one set of angular steel legs (4) with hardware, twin waste and complete installation instructions.

MF-2W Includes: One double tub, factory installed drain, wall bracket assembly, twin waste and complete installation instructions.

Packaging: Packed in individual cartons only. Not available in 6-pack.

COLORS (See pg. 139 for color sample.)

- White (010)

STANDARDS AND RATINGS

American National Standard Institute—ANSI Z124.6
International Association of Plumbing and Mechanical Officials (IAPMO)—listed cUPC listed—Certified to CSA Standard B45 by IAPMO
American Society for Testing and Materials
National Electrical Manufacturers Association

SUPPORT DOCUMENTS

Installation instructions available on line at www.swanstone.com

MAINTENANCE AND CLEANING INFORMATION

Clean your Veritek laundry tub with powdered abrasive cleaners. Use of a Scotch-Brite pad is recommended to remove stubborn stains. Occasional use of a mild bleach and water solution ensures that the original luster is maintained.