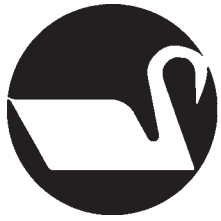


TO BE REMOVED FOR USE BY OCCUPANT

Laundry Tubs



Swan
CORPORATION

MF-1F
(Single Bowl, Floor Mount Metal Legs)

MF-1PF
(Single Bowl, Floor Mount Plastic Legs)

MF-1W (Single Bowl, Wall Mount)

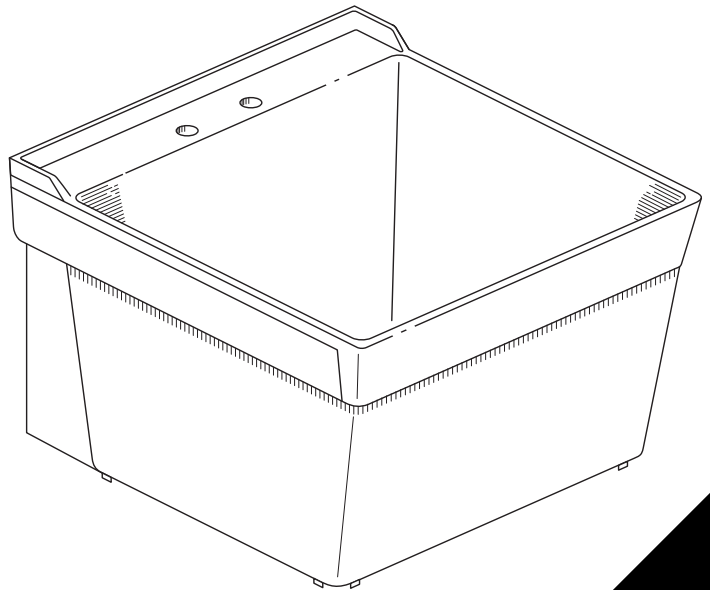
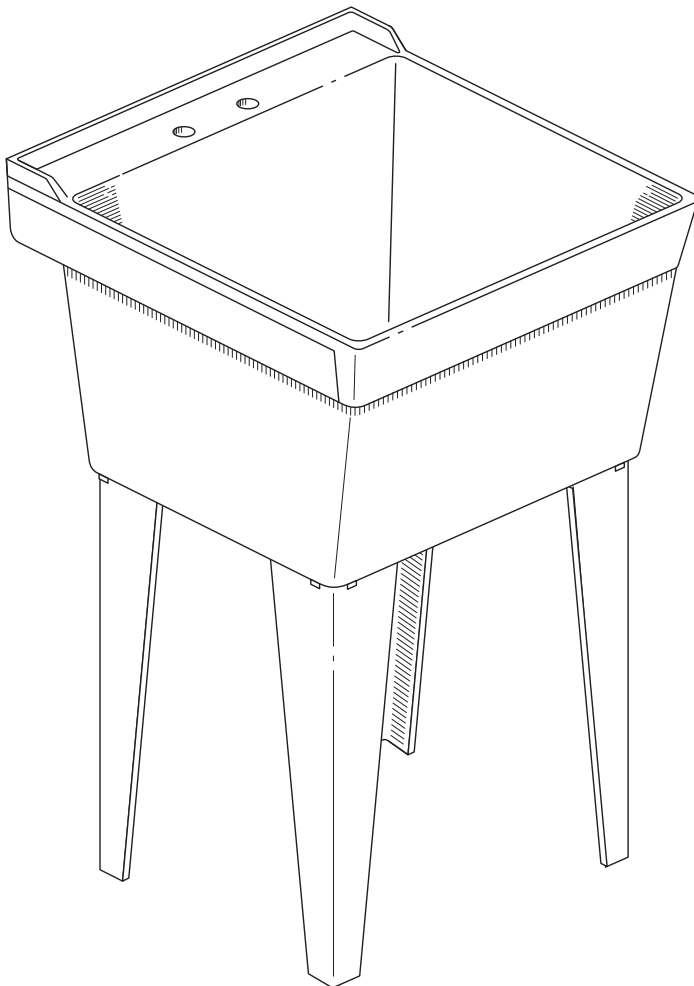
MF-2F
(Double Bowl, Floor Mount Metal Legs)

MF-2W (Double Bowl, Wall Mount)

MF-4PF
(Single Bowl, Floor Mount Plastic Legs)

MF-4W (Single Bowl, Wall Mount)

- **Product Warnings**
- **Safety Guidelines**
- **General Information**
- **Installation Procedure**
- **Cleaning & Maintenance**
- **Warranty Information**



**Read and Understand
Before Installing**

The Swan Assurance — if our product is properly installed and maintained, as stated in these instructions, it will not leak.

Remember — Safety First

IMPORTANT NOTICE

The Swan Corporation, the makers of the Swan products, cannot anticipate every possible circumstance that might involve a potential hazard during the installation of our product(s). The warnings and instructions in this installation guide are, therefore, not all-inclusive. If a tool, installation procedure, or work method that is not specifically recommended by The Swan Corporation is used, you must satisfy yourself that it is safe. You should also make sure that the Swan product(s) will not be damaged by the methods you choose. The Swan Corporation will not be held responsible for water damage of any kind in connection with the installation of one of our Swan bath/shower/panel kits.

WARNING

To avoid product damage, personal injury, or even possible death, carefully read, understand, and follow all the instructions in this installation guide before installing this product(s). Do not use cleaning fluids or operate power tools unless you read and understand the instructions and warnings in this and all other applicable labels or manuals. Proper use of tools and the products described in this guide is your responsibility.

WARRANTY

This product is covered by a Limited Lifetime Warranty. Refer to the Warranty section in this manual for complete details.

Save this manual for future reference.

Important information on cleaning, maintenance, and repair is contained within.

IMPORTANT NOTICE

IMPORTANT NOTICE: Indicates that equipment or property damage can result if instructions are not followed.



Read and Understand the Manual

It is the responsibility of any individual who installs or maintains this product to fully understand and follow proper installation and maintenance procedures. Be aware of the inherent dangers in the use of power tools when installing this product. Read and understand all Warnings, Cautions, and Important Notices in this manual.



Work Safely

DO NOT proceed if any doubt arises about the correct or safe method of performing anything found in this or other Swan manuals. The installation of this product can require using power tools. Do not use power tools without adequate training. If necessary, hire or consult a trained professional for expert assistance before continuing.



Use Proper Tools

Always use proper tools which are in good, working condition during the installation of the Swan products. Using tools other than those listed could adversely affect the integrity of floors, pipes, walls, or this product and could result in water damage, or other damage to floors, pipes, walls, or other portions of your building or home.



Inspect Before Cutting

Make sure no electrical wiring or plumbing is present before cutting into a wall.

CAUTION

CAUTION: Indicates a potentially hazardous situation which, if not avoided, may result in minor or moderate injury. It may also be used to alert against unsafe practices.



Lifting Hazard

According to the National Institute for Occupational Safety and Health, the recommended maximum safe lifting weight is 51 pounds, with all lifting conditions perfect—minimal forward reach, steady load close to the body, straight back, load between knees and shoulders, and good grips. To avoid personal injury, always use these proper lifting techniques and use two people to move heavy cartons. Use appropriate lifting devices to move the load. Always use two people when lifting heavy or bulky cartons. DO NOT attempt to lift objects that are too heavy.

WHEN CARRYING A HEAVY LOAD—GET HELP!



Slipping Hazard

Do not install this product in the presence of water. Installing this product without drying all surfaces, or in the presence of water, could cause you to slip and fall due to wet floors or spilled fluids. Personal injury can result from slips or falls. Before installation, dry all surfaces, including the floor, with a cloth or paper towel. Clean up all water or spilled fluids immediately.



Tripping Hazard

Personal injury can result from tripping over power cords, tools, or other items. DO NOT leave items laying around the work area.



Personal Protection

Be sure to use all personal protective equipment, such as sturdy work boots, preferably with steel toes, gloves, and hard hat, if necessary, to ensure your own safety. To prevent possible damage to your hearing, always wear ear protection, such as earmuffs or earplugs, when working around power tools.



Cutting Hazard

The installation of the Swan product may require using power tools. Keep hands away from the cutting edge of any tool used in the installation of our product. Placing fingers in or around the cutting blades could result in serious personal injury.

⚠ WARNING

WARNING: Indicates a potentially hazardous situation which, if not avoided, could result in serious injury or death.



Eye Protection

Be sure to use all personal protective equipment to ensure your own safety. To avoid eye injury, always wear protective glasses with side shields when using power tools. Also, make sure no one else can be injured by flying particles when using power tools.



Fire Hazard

Personal injury or death can result from a fire caused by flammable liquids or silicone. Cleaners or solvents can be highly explosive, resulting in personal injury or even death, when not used properly. Clean up any flammable substance immediately. Sparks or open flames can cause flammable substances to ignite. DO NOT smoke while working on or near any flammable substance.



Solvents Hazard

Follow all manufacturer's safety instructions for silicone and denatured alcohol. Alcohol vapors are both flammable and hazardous to breathe. Silicone vapors may irritate eyes and nose. Personal injury can result from improperly handling or use of products such as denatured alcohol. Always follow the manufacturer's recommendations for the safe use of these products. Ventilate any work area before beginning to apply silicone, cleaning agents, or solvents.



Fumes Hazard

The fumes from the silicone and solvents used by the installer can be harmful if used in an unventilated room. Always work in a well-ventilated area.



Power Tool Hazard

To prevent personal injury or possible death, always follow the electrical safety recommendations of the power tool's manufacturer. Do not use power tools in an unsafe manner. Power tools should only be connected to a circuit protected by a ground-fault circuit interrupter (GFI).



Shock Hazard

Never use electric power tools around water, condensation, or other liquids. Electric shock can cause severe burns, significant injuries, and even death. If an extension cord is required, always use an OSHA approved extension cord. Power cords should only be connected to a circuit protected by a ground-fault circuit interrupter (GFI).



Electrical Shock Hazard

Contacting live electrical wiring with power tools or hand tools can cause serious injury or death. Make sure all related circuit breakers are turned OFF. Test for live circuits or wiring inside any wall where installation of the Swan product requires cutting into a wall.



Electrocution Hazard

Water and other liquids conduct electric current and can create a short circuit, resulting in injury or death. Keep all liquids away from electrical cords and power tools. DO NOT create a short circuit between a source of electricity and a liquid by being in contact with both simultaneously.

General Information

A laundry tub or utility sink can be a useful addition to any home to soak dirty clothes, wash the dog, or clean large, odd-shaped household goods. Our laundry tubs are made from Veritek, which makes them easy to install and maintain. Our Veritek material has no surface coating to chip or crack and will not mold or mildew. The laundry tubs can also be secured to the wall or the floor as a precaution to prevent unwanted tipping.

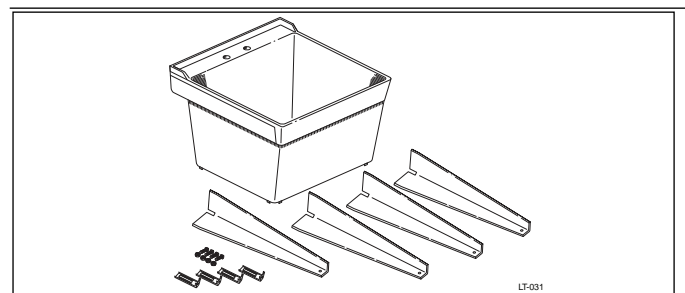
The installation process is straightforward and most homeowners can easily complete the task. The hardest part of the job, if necessary, may be installing the water lines and drain pipe. Always check local building codes to verify that you, the homeowner, can install the plumbing yourself.

A laundry tub is an easy project to install and requires very few special tools. Followed carefully, these installation instructions will result in an easy, trouble-free installation of your Swan Corporation product. Any deviations, additions, and/or deletions from the prescribed installation, without prior written approval of our Customer Relations Department, will void the warranty covering this product. Not following the directions could also result in personal injuries, water damage, and other damage to floors, pipes, walls, and other portions of your building or home.

- **Read all instructions completely before beginning installation.**
- **Check all local plumbing codes.**
- **Be sure to shut off the water at the source before starting installation.**

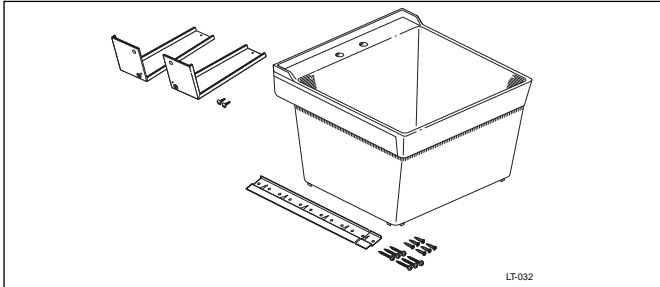
Contents (Floor Mount Units)

- Laundry Tub
- Four Metal Angular Legs or Four Plastic Angular Legs
- Leveling Brackets (Qty 4)
- Flat Head Screws (Qty 4)
- Nuts (Qty 4)



Contents (Wall Mount Units)

- Laundry Tub
- Filler Brackets (Right and Left)
- Filler Bracket Mounting Screw (Qty 2)
- Wall Mounting Plate
- Screws for Wall Mounting Plate (Qty 3 or 6)
- Wall Anchors for Wall Mounting Plate (Qty 3 or 6)
- Washers (Qty 2)



Purchased Items

- Faucet
- Flexible Hot and Cold Water Supply Lines
- PVC Trap Kit
- PVC Tailpiece
- 1/4" x 1-1/2" Tapcon Screws (optional for wall mount units only - for concrete wall installation)
- Floor Anchors and Bolts (optional)

Required Tools and Safety Equipment

- Safety Glasses
- Hearing Protection
- Hammer
- Adjustable Pliers
- Adjustable Wrench
- Phillips Screwdriver
- Flat Blade Screwdriver
- Tape Measure
- Hacksaw (Cutting tail piece to length)
- Level
- Hammer Drill and Carbide Drill Bit (for wall mount installation into concrete or to fasten the legs to the floor)

Unpackaging

- Use care when opening the box so that you do not damage the product.
- This product is shipped to you or your retail center after careful inspection. After purchasing the product, carefully unbox and inspect the product for any shipping damage that may have occurred. If damage is found, report it immediately to the store of purchase. Installation of a damaged product will void the warranty.
- Make sure the product is the correct size and confirm that all parts have been included before beginning installation.
- Floor mount models are shipped with four legs and leveling hardware. The floor mount models DO NOT have right and left side filler brackets like the wall mount models.

- Please use the model number located on the side of the box when contacting us with questions concerning the installation of this product.

Helpful Hints

- Read all instructions carefully BEFORE starting the installation. Familiarize yourself with the various parts of the kit.
- Store unused materials away from the work area to prevent accidental damage.
- If the product is placed over a garage or on an outside wall, care must be taken to ensure that the shower plumbing is properly insulated from cold temperatures.

Disclaimer

- The information contained in this Installation Instruction is given free of charge. It is based upon technical data which we believe to be reliable and is intended for use, by persons having knowledge of this technical area, at their own discretion and risk. The Swan Corporation assumes no responsibility for results obtained or damage incurred from the use of this material either in whole or in part by the buyer.
- This manual will give you basic step-by-step instructions for the installation of the product that will work in most types of installations. If you have an installation application that is not covered in this manual, **before beginning the installation**, please call your local Swan distributor or contact the Swan Corporation directly for additional information about your application.
- Follow all installation instructions. Failure to follow these instructions could result in personal injuries, water damage, or other damage to floors, pipes, walls, or other portions of your building or home.

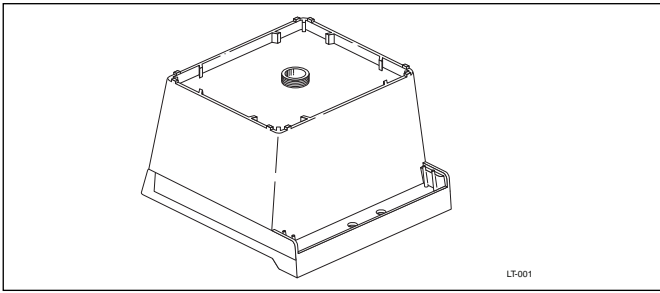
Quick Reference Assembly

1. Prior to installation of the laundry tub, first attach the legs to floor mount models (Step 1a) or attach the filler brackets to the wall mount models (Step 1b). Refer to the specific section in this manual for detailed instructions.
2. Attach the wall mounting plate to the wall. (Step 2a, 2b, or 2c).
3. Finally, install faucet and P-trap onto the laundry tub.
4. Install laundry tub.
5. Anchor floor mount units to the floor (optional).
6. Install splash guard (optional).

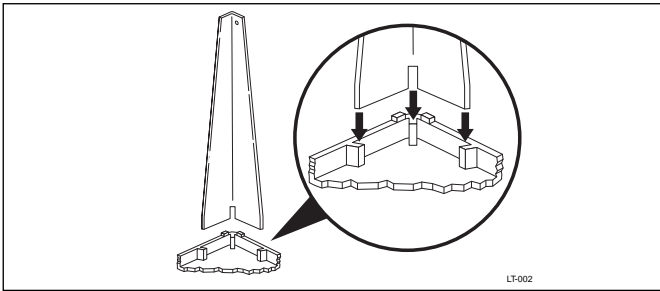
1. Attach Legs / Filler Brackets

1a. Attach Metal Legs — MF-1F and MF-2F (Single and Double Bowl Models) Attach Plastic Legs - MF-4W (Single Bowl Model)

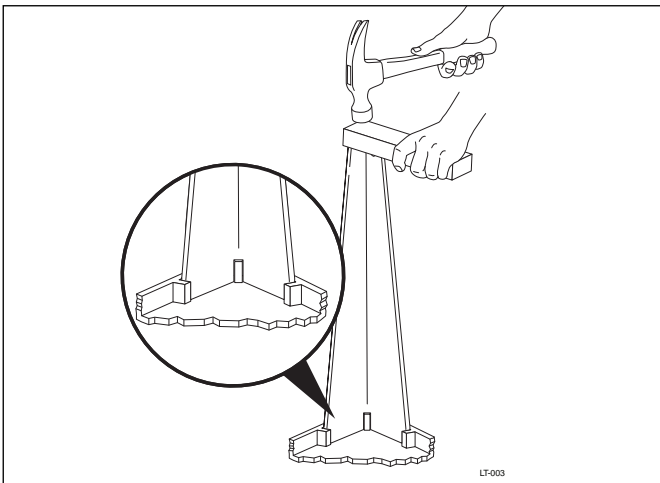
1. Place the laundry tub upside down on a flat surface. Protect the top edges of the laundry tub from scratches or other damage by placing cardboard or other scratch resistant material on the floor.



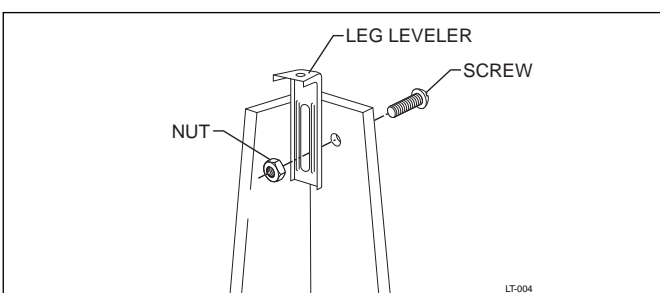
- Slide the metal or plastic leg into one of the plastic corner retaining sockets in the bottom of the laundry tub. All four legs are identical and can be installed in any one of the four corners.



- Place a block of scrap wood over the end of the leg and drive the leg down into the socket with a hammer.

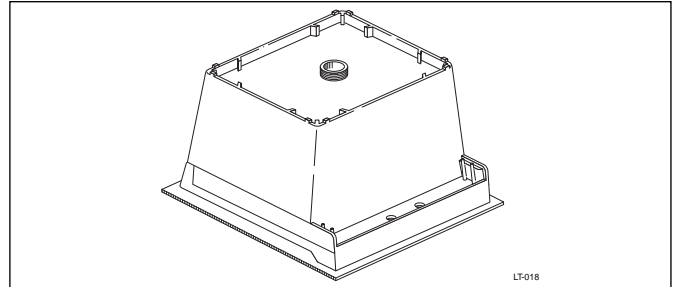


- Install the other three legs in the same manner.
- Install one leg leveler on each leg using the screw and nut included with each unit. Do not completely tighten the screws until the laundry tub is in its final location and can be leveled.

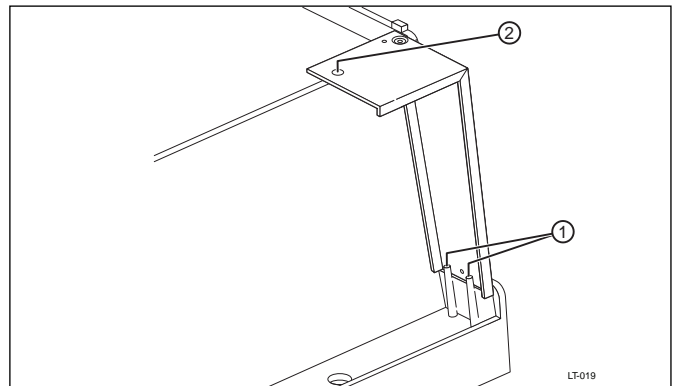


1b. Attach Filler Brackets and Wall Mount — MF-1W and MF-2W (Single and Double Bowl Models) MF-4W (Single Bowl Model)

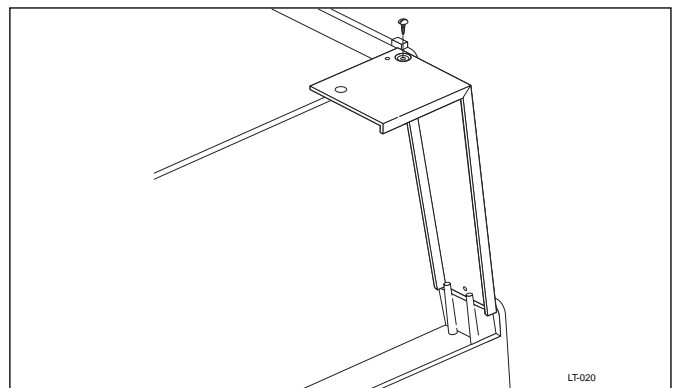
- Place the laundry tub upside down on a flat surface. Protect the top edges of the laundry tub from scratches or other damage by placing cardboard or other scratch resistant material on the floor.



- Find the right-side filler bracket. Install it with the end of the filler bracket fitted between the outside of the sink and guide posts (1). Also place the filler bracket over guide post (2) and the screw hole in the bottom of the laundry tub.



- If you have the MF-4W wall mount assembly: Using a flat blade screwdriver, install one panhead screw and washer to hold the filler bracket in place. Do not overtighten the screw.

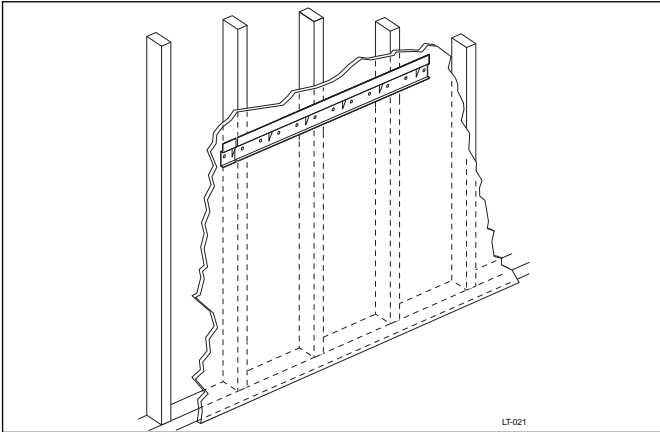


Installation Procedure

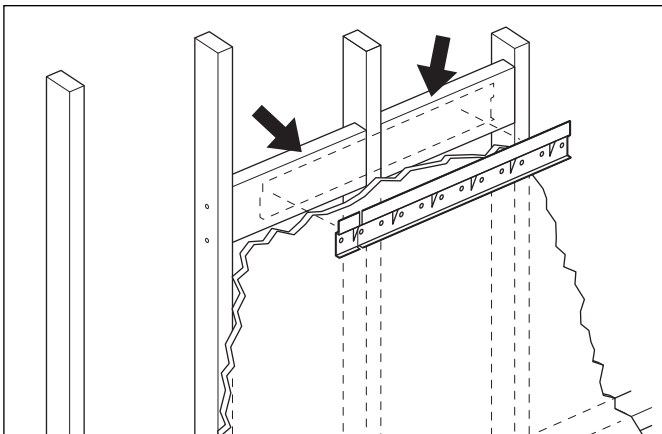
2. Attach Wall Mounting Plate

2a. Attach Wall Mounting Plate to Framed Walls

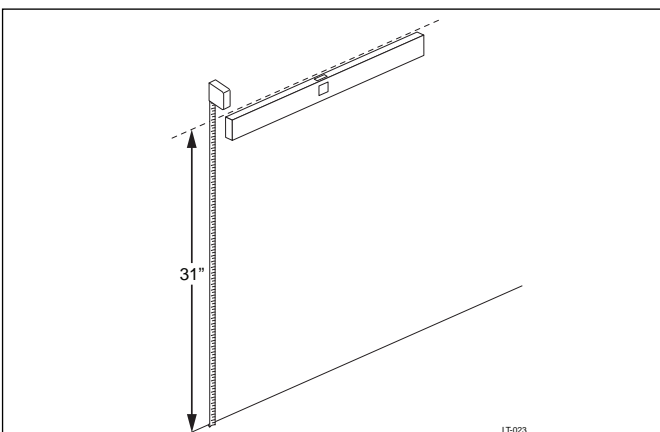
1. Locate the rough position of the laundry tub and then locate the wall studs. The mounting plate must be attached using at least three screws.



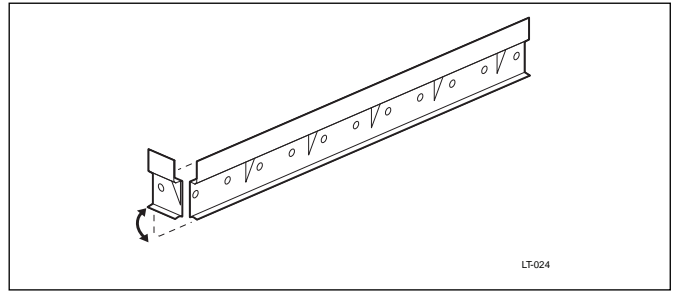
If only two screws can be used, install cross blocking (2" x 6") between the studs and then attach the wall mounting plate. Again, for double sinks install cross blocking (2" x 6") between the studs to add extra support for the wall mounting plate and the sink.



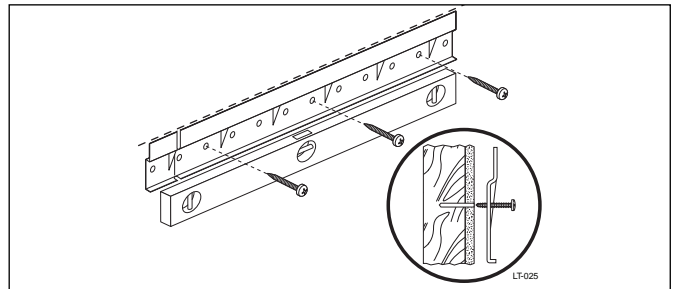
2. Determine the comfortable working height of the top of the sink. This height may vary depending on your application; however, a typical dimension is 32" up from the floor. Use a level to mark a line 1" below the desired height on the wall.



Note: Trial fit the wall mounting plate to the laundry tub. If the mounting plate is too long, break off the left side of the wall mounting plate by snapping it along the plate's scored ridge.



3. Position the top lip of the wall mounting plate on the mark. Be sure you mark the mounting holes over the studs/cross-blocks. Use a bubble level to make sure the wall mounting bracket is level.



4. Drill a 1/8" pilot hole into the wood and attach the mounting plate to the wall with at least three 1/4" x 1-1/2" long zinc hex head lag screws. Tighten the screws with a Phillips screwdriver.

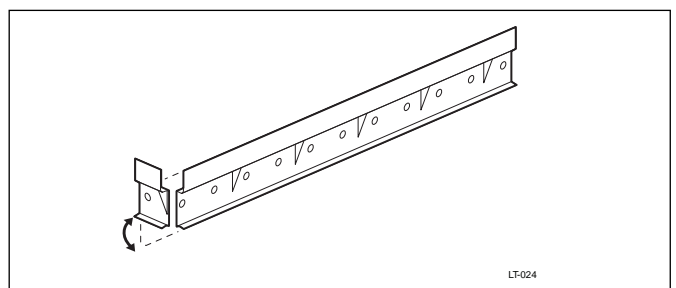
Note: On double bowl models use at least six screws to attach the wall mounting bracket to the wall.

2b. Attaching Wall Mounting Plate to Concrete or Block Walls with Plastic Wall Anchors

There are two methods to install the mounting plate onto a concrete or block wall; Step 2b) a plastic wall anchor with a lag screw, or, Step 2c) Tapcon concrete screws. The tapcon screws for mounting the wall mounting plate to concrete are not supplied with the product and must be purchased separately.

1. Locate the height of the wall mounting plate in the same manner as with wood construction (Step 2a).

Note: Trial fit the wall mounting plate to the laundry tub. If the wall mounting plate is too long, break off the left side of the wall mounting plate by snapping it along the plate's scored ridge.

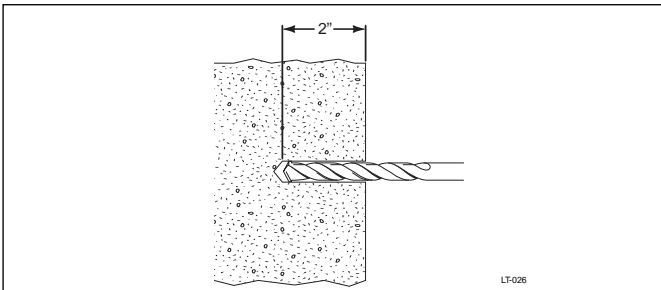


⚠ WARNING

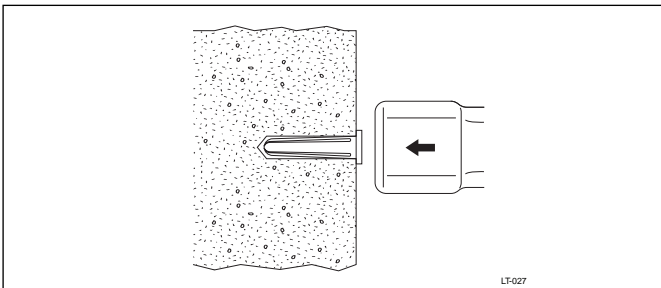
Oversized pilot holes may make it impossible to properly set the anchor and will reduce the anchor's load (holding) capacity. This reduced holding capacity can result in the anchor pulling free from the wall, resulting in possible personal injury or even death.

2. Drill a 5/16" pilot hole two inches into the concrete or block wall using a masonry bit and a hammer drill. Clean out the hole with a vacuum sweeper.

Note: In concrete block walls do not drill the anchor holes into the mortar joints. These joints typically do not have the same holding strength as the block itself.

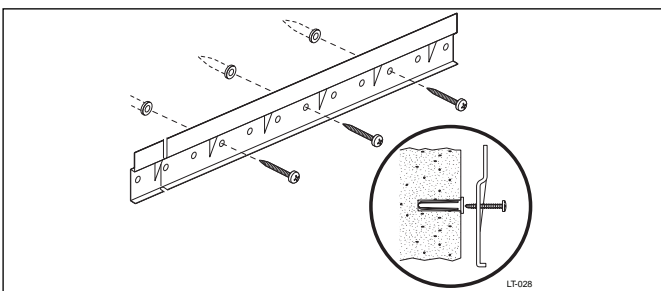


3. Insert the plastic anchor into the hole and drive it in until it is flush with the wall surface. For single bowl models use at least three anchors. For double bowl models use at least six anchors.



4. Attach the mounting plate to the wall with 1/4" x 1-1/2" long Phillips head screws (supplied with unit). For single bowl models use at least three screws. For double bowl models use at least six screws.

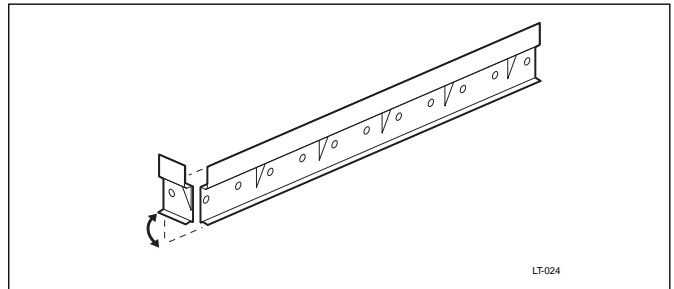
Note: Make sure the wall mounting plate is straight, regardless of the wall contour, before completely tightening the screws. If the wall is not flat, shim behind the mounting plate, as needed.



2c. Attaching Wall Mounting Plate to Concrete or Block Walls with Tapcon Wall Anchors (User Supplied)

1. Locate the wall mounting plate in the same manner as with wood construction.

Note: Trial fit the wall mounting plate to the laundry tub. If the wall plate is too long, break off the left side of the wall mounting plate by snapping it along the plate's scored ridge.



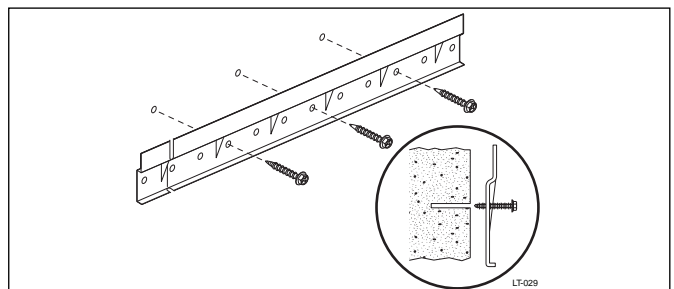
⚠ WARNING

Oversized holes may make it impossible to properly hold the Tapcon screw and will reduce the load (holding) capacity. This reduced holding capacity can result in the screw pulling free from the wall, resulting in possible personal injury or even death.

2. Drill a 3/16" pilot hole into the wall using a masonry bit and hammer drill.

Note: Always follow the mounting hardware manufacturer's recommendation for installation of their mounting hardware.

3. Attach the mounting plate to the wall with 1/4" x 1-1/2" long Tapcon Hex Head Masonry Screws. Do not overtighten the screws. For single bowl models use at least three screws. For double bowl models use at least six screws.



Note: Make sure the wall mounting plate is straight, regardless of the wall contour, before completely tightening the screws. If wall is not flat, shim behind the mounting plate, as needed.

3. Installing the Faucet and Drain

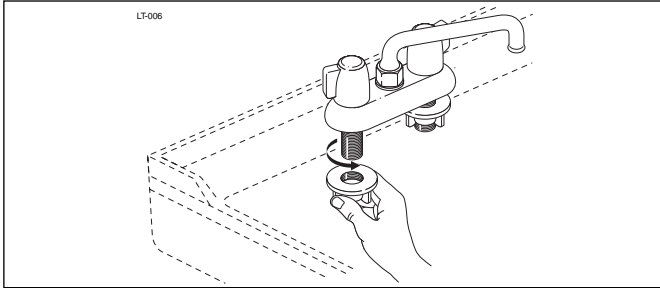
1. Shut off the water supply to the entire house or at the location of the old sink.
2. Release the pressure and drain the water lines by turning on a faucet in the lowest part of the house. Turn on both the hot and cold water faucets.

Installation Procedure

3. If replacing an existing laundry tub, loosen and remove the hot and cold water lines and waste pipe connections. Use a container to catch any water remaining in the P-trap.

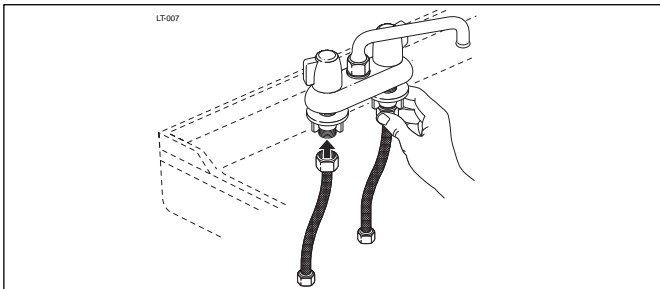
Note: If the P-trap and water lines are in poor condition, replace them with new parts. Also replace any rusted or corroded fittings with new parts. The faucet can be reused and reinstalled.

4. Install the faucet assembly according to the manufacturer's instructions (homeowner supplied).

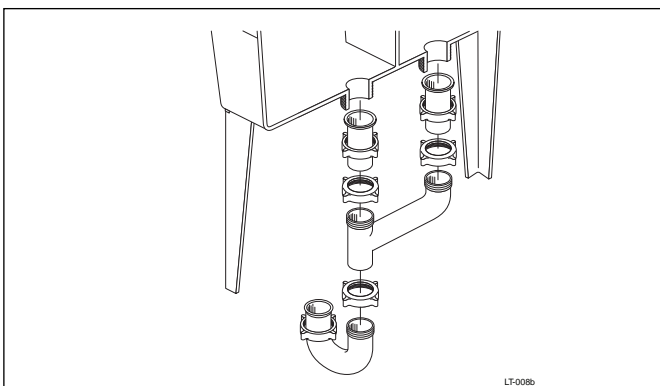
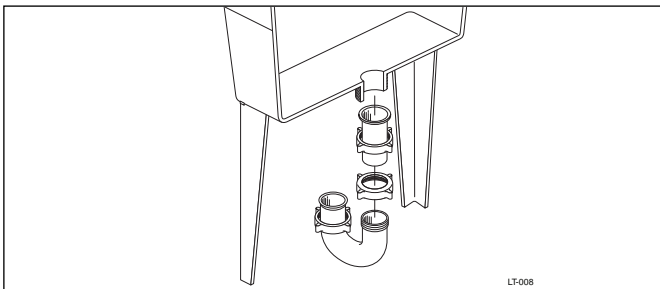


Note: Preinstallation of the faucet, supply lines, and P-trap are easier when the laundry tub is not against and/or attached to the wall.

5. Attach the two flexible water lines onto the faucet (homeowner supplied). Do not over-tighten the connections.

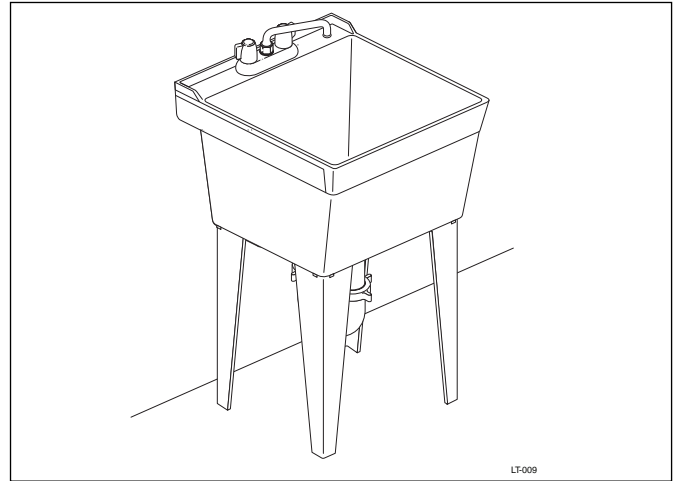


6. Assemble the PVC trap components (homeowner supplied) and attach them to the drain hole(s) in the laundry tub.

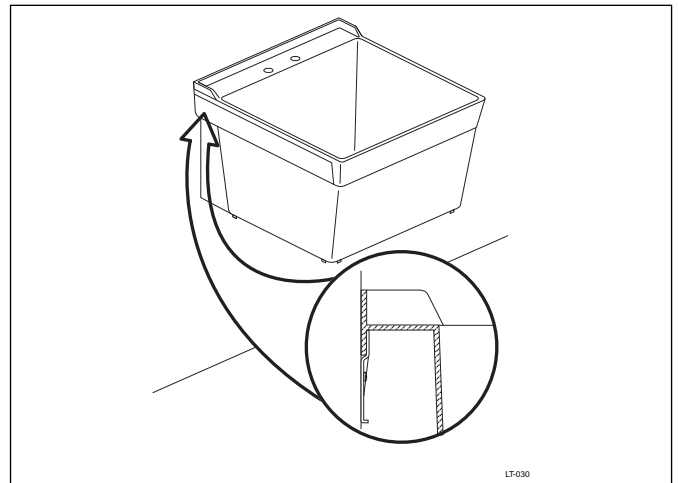


4. Final Installation

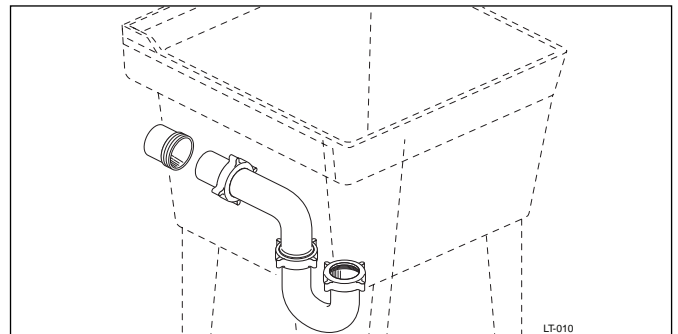
1. For models with legs, place the laundry tub where it will be installed. For wall mount models, hang the sink onto the wall mounting plate (see Step 2).



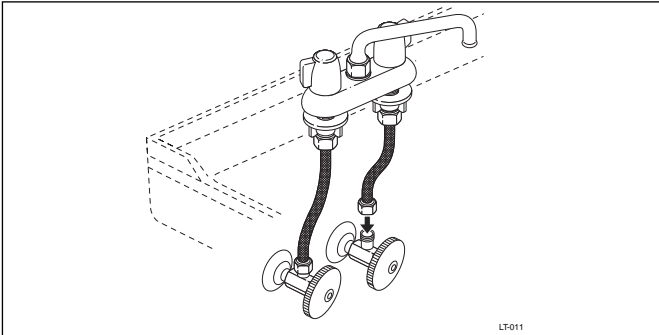
2. On wall mount models only, lift and place the sink over the wall mounting plate. Make sure the laundry tub is seated securely into the lip of the wall mounting plate.



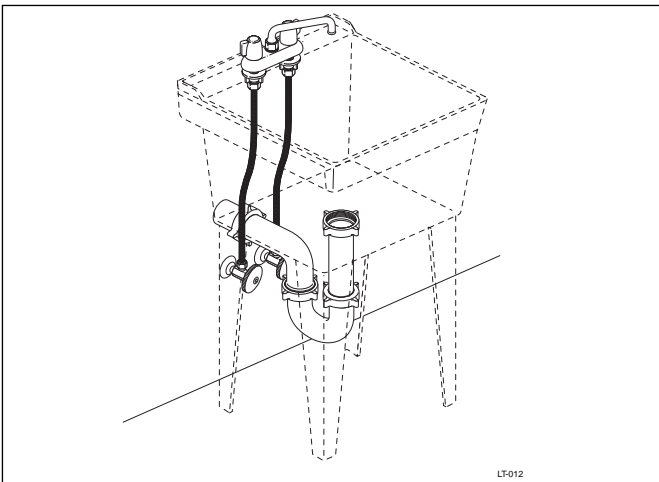
3. Attach the PVC tailpiece (homeowner supplied) to the drain pipe. Cut the tailpiece to the proper length using a hacksaw, if necessary. Use sandpaper or a file to remove any burrs or sharp edges.



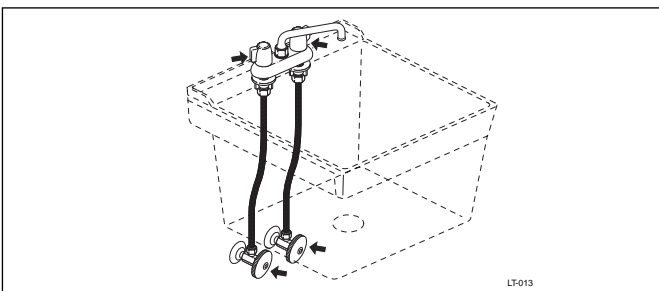
- Attach the flexible water supply lines to the water shut off valves. The threaded ends of the water lines can be wrapped with Teflon pipe tape to ensure a tight, leak-proof seal. Tighten the fitting with a wrench but do not over-tighten.



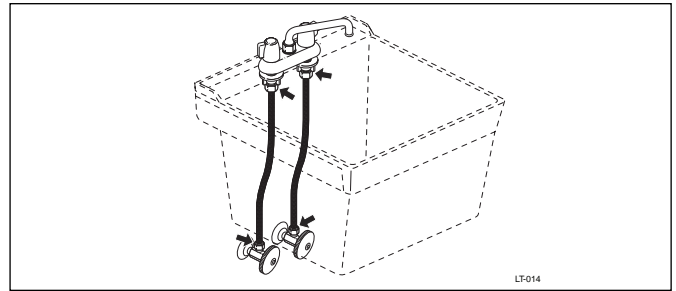
- The water lines and waste pipes should now be completely installed.



- Slowly turn ON the hot and cold water shut off valves. Turn the faucets ON and flush the water lines to remove any debris that may be in the water line or the drain pipe.



- Check all water lines and waste connections for leaks. Tighten the connection if a leak appears. Do not over-tighten.

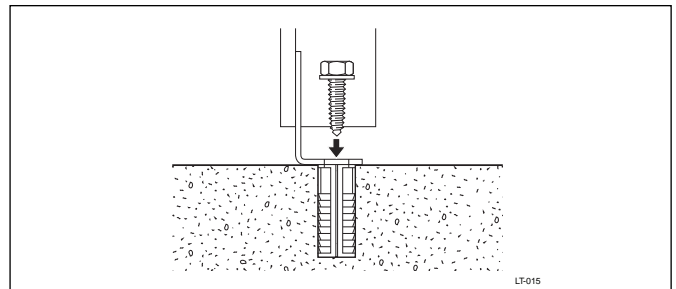


5. Floor Anchors

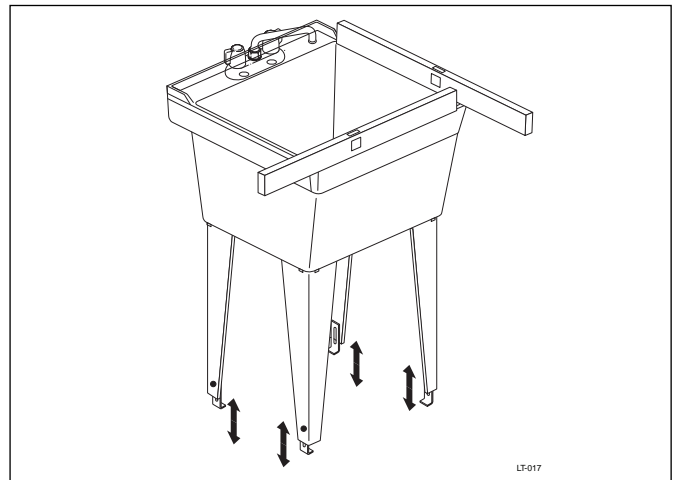
⚠ WARNING

A laundry tub(s) that is full of water can weigh from 175 to 350 pounds and could tip over if someone pulls against it, causing personal injuries, death, and/or damage to your home. Securing the legs to the floor will help prevent unwanted tipping.

- As added protection against unwanted tipping of floor model laundry tubs, secure the unit to the floor using homeowner supplied anchors.

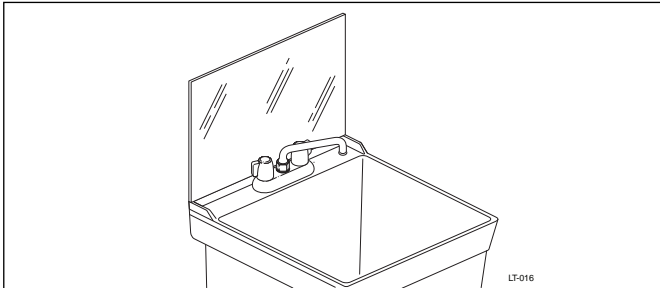


- Adjust the four leveling feet on the legs. A slight angle (front to back) toward the drain will eliminate water from standing in the bottom of the laundry tub.



6. Splash Guard

As an added precaution to water splatter and/or damage to the wall behind the sink, you can install a piece of 1/8" plastic onto the wall. You can also caulk the area where the plastic meets the edge of the laundry tub.



Care and Cleaning

Swan products are stain and wear resistant; however, the finish requires reasonable care.

Maintenance And Cleaning

Everyday cleaning with liquid cleaners such as Dow or Lysol foaming bubbles, Top Job, Mr. Clean or similar type products with a sponge or Mr. Clean Magic Eraser. To remove hard water stains or mineral build-up, scale removers such as Lime Away, Rust-out or Whink are recommended. Do not use abrasive cleaners or pads such as Ajax, Comet, SOS, Brillo or other similar metal scouring pads.

Because cleaning products change over time, always check the manufacturer's instructions to make sure it is compatible with plastic. DO NOT use a cleaner if the label indicates it should not be used on plastics. DO NOT use spray-on cleaners that require daily use without immediately rinsing with water to stop the chemical cleaning reaction because damage will result and void the warranty.

IMPORTANT NOTICE

Because cleaning products change over time, always check the manufacturer's instructions to make sure it is compatible with plastic. DO NOT use a cleaner if the label indicates it should not be used on plastics. DO NOT use spray-on cleaners that require daily use without immediately rinsing with water to stop the chemical cleaning reaction because damage will result and void the warranty.

Day-To-Day Cleanup

Simply wipe the surfaces with a clean towel to remove watermarks and residues. This Swan Corporation product can be cleaned with warm water, a soft cloth, and normal (nonabrasive) household detergents or cleansers, such as Fantastic, Formula 409, Clorox Clean-up, Handy Andy, Mr. Clean, or Lestoil. Always rinse off cleaners within five minutes of application.

If necessary, use a nonabrasive cleaner with a nylon brush or pad to remove build-up on the shower floor surface. **Do Not** use abrasive cleansers, steel wool, or a wire brush. This will damage the surface.

Caulking Joints

If silicone caulking was applied at installation, inspect the caulking joints monthly for damage or any signs of separation from the mating surface. Cracks in the caulking will allow water to leak into the surrounding surfaces. **Reapply caulking to any joint showing signs of wear or cracking.**

Warranty

If a Swan product covered by this warranty is found to be defective in materials or workmanship, after inspection by an authorized Swan Corporation representative, we will repair, or at our option, exchange the product for a similar model. This warranty extends for a designated period of time, so long as it remains in use in its original place of installation.

This warranty covers products installed in accordance with the Swan Corporation's installation instructions, used as recommended, and not damaged due to misuse, abuse, or improper installation. It does not apply to any seams or changes made to the product by professional tradesmen or fabricators.

The Swan Corporation's option to repair or exchange the products under this warranty does not cover any labor or other costs of removal or installation, nor shall the Swan Corporation be responsible for any other incidental or consequential damages attributable to a product defect or to the repair or exchange of a defective product.

Residential 1-Year Limited Warranty

The warranty applies only to the original purchaser and installation of these products in residential applications. It does not apply to commercial applications.

Commercial 1-Year Limited Warranty

The warranty applies only to the original purchaser and installation of these products in commercial applications.

Save these Installation Instructions for future reference. They provide important information on cleaning and maintenance of the Swan Corporation Laundry Tub.

