

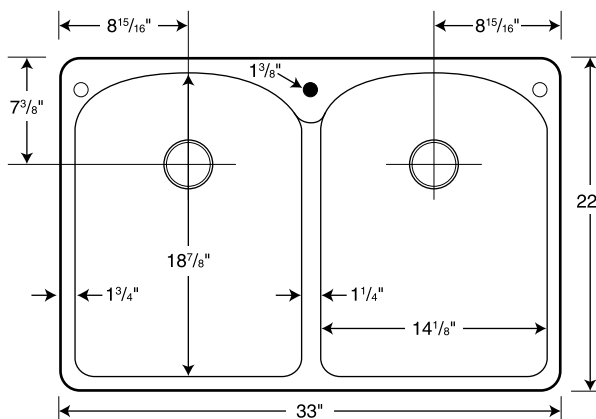
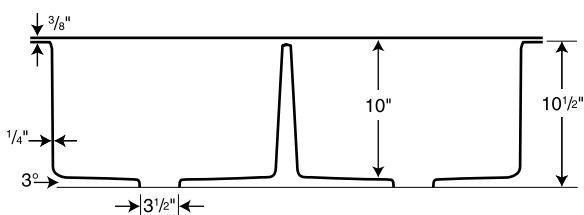
**Manufactured from Swanstone solid surface**  
(see page 2 for detailed information)

**WARRANTY**  
Limited Lifetime – Residential  
Limited 10-year – Commercial

*Recommended for high use traffic areas and commercial surfaces*

**FEATURES**

- Two extra deep bowls for enormous workspace
- Renewable surface will not wear away
- Hot pots and boiling water will not harm it
- Highest resistance of impact from heavy objects
- Easily accommodates all faucet styles
- Heat, stain and scratch resistance for lasting beauty
- Matching or contrasting countertops available. Contact a Swanstone representative for more information.



○ Drill Points ● Pre-drilled

Capacity: 9 gallons

**SPECIFICATIONS**

**KSLB-3322 Super Double Bowl**

Model	Part	Dimensions	Ship Wt. Lb.	Ship UPS	Carton Dims. In.	Cu. Ft.
KSLB-3322	KS02233LB	33" W x 22" D (838 mm x 559 mm)	38	UPS	37 x 25 x 14	7.50

**ACCESSORIES**

- CB-LB Wood Cutting Board
- WB-LB & WB-22 Wire Basket
- BR-LBTB Basin Rack

See page 14 for complete listing of all kitchen sink accessories.

**STANDARDS AND RATINGS**

- Class 1A fire rating
- American National Standard Institute—ANSI Z124.6
- International Association of Plumbing and Mechanical Officials (IAPMO)—listed
- cUPC listed—Certified to CSA Standard B45 by IAPMO
- National Sanitation Foundation-NSF Splash Zone, -NSF Food Zone
- American Society for Testing and Materials
- National Electrical Manufacturers Association

For a complete list of tests and results see the Technical Data Sheet – page 129.

**SUPPORT DOCUMENTS**

Installation instructions available on line at [www.swanstone.com](http://www.swanstone.com)

**COLORS** (See pg. 139 for color sample.)

- White (010)
- Bone (037)
- Bisque (018)
- Almond Galaxy (046)
- Arctic Granite (035)
- Barley (091)
- Bermuda Sand (040)
- Gray Granite (042)
- Green Pasture (095)
- Sierra (094)
- Tahiti Blue (056)
- Tahiti Desert (050)
- Tahiti Evergreen (057)
- Tahiti Gray (053)
- Tahiti Ivory (059)
- Tahiti Matrix (058)
- Tahiti Rose (052)
- Tahiti Sand (051)
- Tahiti Terra (055)
- Tahiti White (011)
- Cornflower (063)
- Ironweed (061)
- Night Sky (012)
- Purple Sage (064)
- Wild Indigo (022)
- Winter Wheat (060)
- Indian Grass (071)
- Black Galaxy (015)
- Pebble (072)
- Seafoam (074)

**MAINTENANCE AND CLEANING INFORMATION**

Clean your Swanstone kitchen sink with powdered abrasive cleaners. Use of a Scotch-Brite pad is recommended to remove stubborn stains. Occasional use of a mild bleach and water solution ensures that the original luster is maintained.