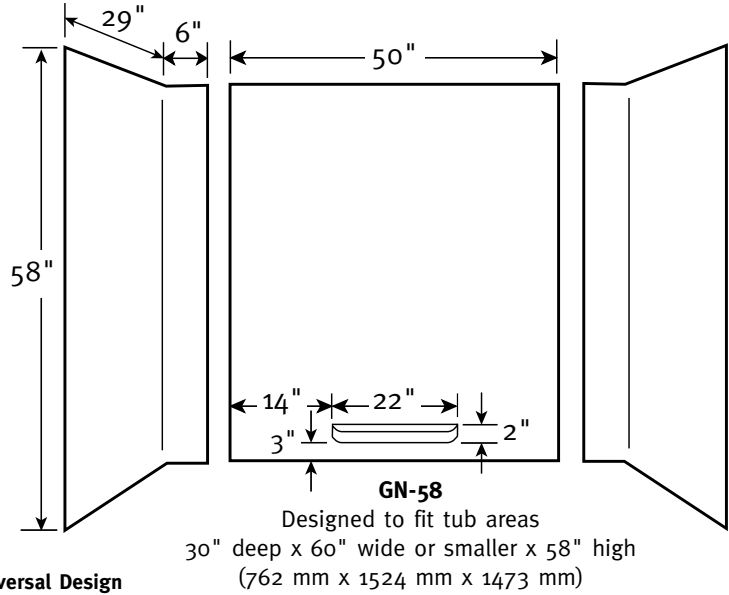


**Manufactured from Swanstone Veritek®**  
(see page 2 for detailed information)

**WARRANTY**  
Limited Lifetime – Residential  
Limited 5-year – Commercial

**FEATURES**

- Granite look adds elegance to your bath
- Will not mold or mildew, no grout to clean
- Ideal for both remodeling projects and new construction
- Meets ADA guidelines for soap dish height and grab bar installation
- A variety of colors to choose from to customize a bath
- Affordable wall system made of Veritek with no surface coating to chip or crack—color runs throughout
- The GN-58 is a glue-up 3-piece compression molded composite with molded-in color and a natural gloss surface



**SPECIFICATIONS**

**GN-58 Veritek® 3-Panel Tub Wall**

Model	Part	Tub Area Designed To Fit	Ship Wt. Lb.	Ship UPS	Carton Dims. In.	Cu. Ft.
GN-58	GN58000	30" D x 60" W* x 58" H (*or smaller) (762 mm x 1524 mm x 1473 mm)	57	-	61 x 61 x 6	12.92

**COLORS** (See pg. 139 for color sample.)

- White (010)
- Bone (037)
- Bisque (018)
- Bermuda Sand (040)
- Gray Granite (042)
- Tahiti Desert (050)

Kit Includes: One back panel with molded-in soap dish, two end panels, one roll of pressure sensitive tape, three tubes of adhesive, one tube of caulk and complete installation instructions.

Packaging: Each kit is packed in a flat, rectangular carton.

**STANDARDS AND RATINGS**

Class B fire rating  
American Society for Testing and Materials  
National Electrical Manufacturers Association

**SUPPORT DOCUMENTS**

Installation instructions available on line at [www.swanstone.com](http://www.swanstone.com)

**MAINTENANCE AND CLEANING INFORMATION**

Wash regularly with warm water; use a soft cloth with mild liquid detergent such as Handy Andy, Mr. Clean or Lestoil. Scouring pads made of nylon, saran, or polyethylene may be used but *never* use abrasive scouring powders, cleansers or pads...they dull the finish.