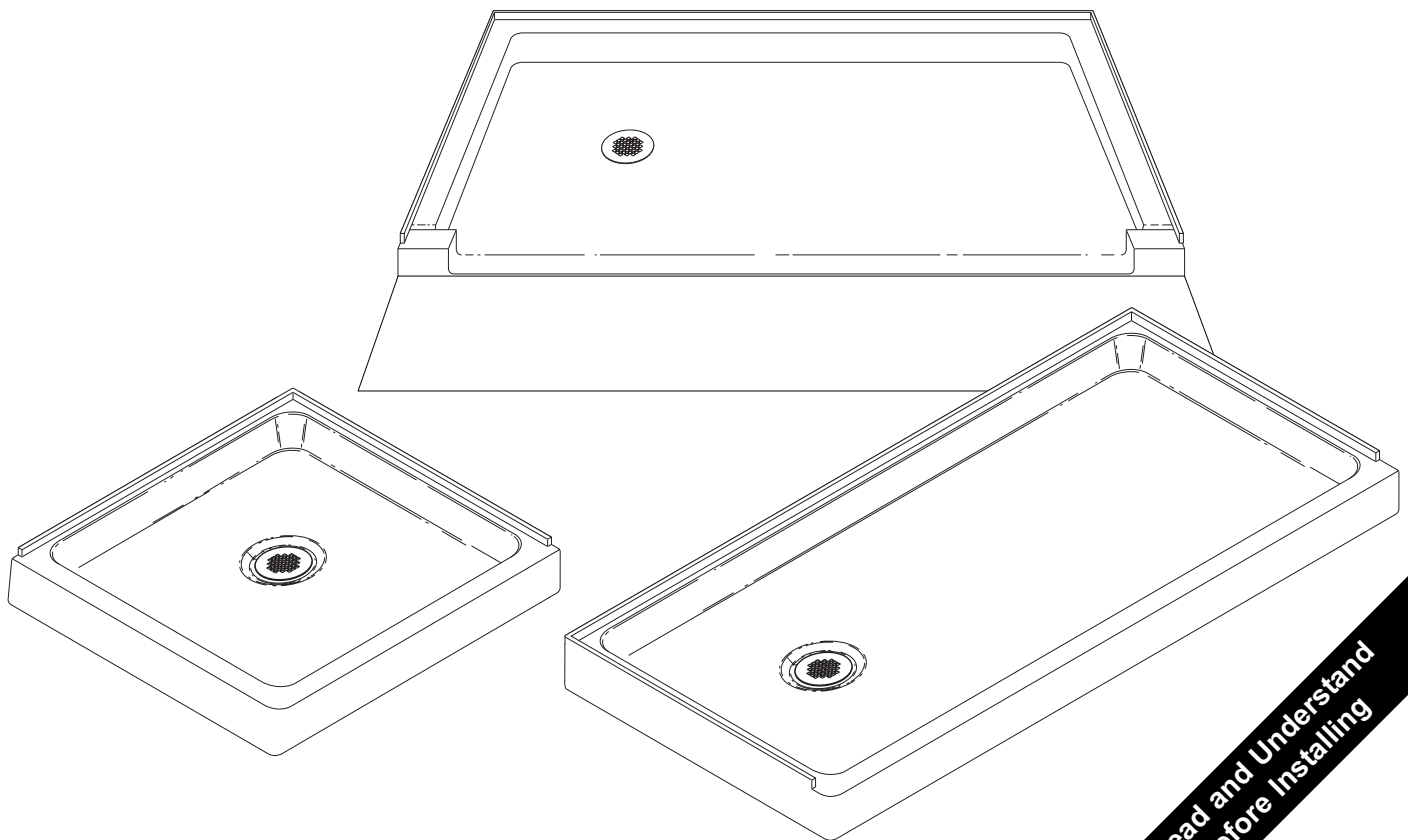




## Shower Floors — Square, Rectangular, Neo-Angle, and Barrier Free

- **Product Warnings**
- **Safety Guidelines**
- **Kit Contents**
- **Required Tools**
- **Preparation Tips**
- **Installation Procedure**
- **Cleaning & Maintenance**
- **Surface Repair**
- **Warranty Information**



**Read and Understand  
Before Installing**



The Swan Assurance — if our product is properly installed and maintained, as stated in these instructions, it will not leak.

## Remember - Safety First

### IMPORTANT NOTICE

The Swan Corporation, the makers of the Swan products, cannot anticipate every possible circumstance that might involve a potential hazard during the installation of our product(s). The warnings and instructions in this installation guide are, therefore, not all-inclusive. If a tool, installation procedure, or work method that is not specifically recommended by The Swan Corporation is used, you must satisfy yourself that it is safe. You should also make sure that the Swan product(s) will not be damaged by the methods you choose. The Swan Corporation will not be held responsible for water damage of any kind in connection with the installation of one of our Swan bath/shower/panel kits.

### **WARNING**

To avoid product damage, personal injury, or even possible death, carefully read, understand, and follow all the instructions in this installation guide before installing this product(s). Do not use cleaning fluids or operate power tools unless you read and understand the instructions and warnings in this and all other applicable labels or manuals. Proper use of tools and the products described in this guide is your responsibility.

### WARRANTY

This product is covered by a Limited Lifetime Warranty. Refer to the Warranty section in this manual for complete details.

### **Save this manual for future reference.**

Important information on cleaning, maintenance, and repair is contained within.

# Safety Guidelines

## IMPORTANT NOTICE

**IMPORTANT NOTICE:** Indicates that equipment or property damage can result if instructions are not followed.



### Read and Understand the Manual

It is the responsibility of any individual who installs or maintains this product to fully understand and follow proper installation and maintenance procedures. Be aware of the inherent dangers in the use of power tools when installing this product. Read and understand all Warnings, Cautions, and Important Notices in this manual.



### Work Safely

**DO NOT** proceed if any doubt arises about the correct or safe method of performing anything found in this or other Swan manuals. The installation of this product can require using power tools. Do not use power tools without adequate training. If necessary, hire or consult a trained professional for expert assistance before continuing.



### Use Proper Tools

Always use proper tools which are in good, working condition during the installation of the Swan products. Using tools other than those listed could adversely affect the integrity of floors, pipes, walls, or this product and could result in water damage, or other damage to floors, pipes, walls, or other portions of your building or home.



### Do Not Use Nails

To prevent damage to the shower floor and possible water or other damage to floors, pipes, walls, or other portions of your building or home, do not nail or screw **through** the shower floor to secure it to the stud wall. Nails can be used, but are not necessary, to hold the shower base in place. If nails are used, they must be installed **above** the shower flange and not through it. Refer to the specific instructions in this manual for the proper installation of these optional nails.



### Inspect Before Cutting

Make sure no electrical wiring or plumbing is present before cutting into the floor for the floor drain.

## CAUTION

**CAUTION:** Indicates a potentially hazardous situation which, if not avoided, may result in minor or moderate injury. It may also be used to alert against unsafe practices.



### Lifting Hazard

According to the National Institute for Occupational Safety and Health, the recommended maximum safe lifting weight is 51 pounds, with all lifting conditions perfect—minimal forward reach, steady load close to the body, straight back, load between knees and shoulders, and good grips. To avoid personal injury, always use these proper lifting techniques and use two people to move heavy cartons. Use the appropriate lifting devices to move the load. Always use two people when lifting heavy or bulky cartons. **DO NOT** attempt to lift objects that are too heavy.

### WHEN CARRYING A HEAVY LOAD—GET HELP!



### Slipping Hazard

Do not install this product in the presence of water. Installing this product without drying all surfaces, or in the presence of water, could cause you to slip and fall due to wet floors or spilled fluids. Personal injury can result from slips or falls. Before installation, dry all surfaces, including the floor, with a cloth or paper towel. Clean up all water or spilled fluids immediately.



### Tripping Hazard

Personal injury can result from tripping over power cords, tools, or other items. **DO NOT** leave items laying around the work area.



### Personal Protection

Be sure to use all personal protective equipment, such as sturdy work boots, preferably with steel toes, gloves, and hard hat, if necessary, to ensure your own safety. To prevent possible damage to your hearing, always wear ear protection, such as earmuffs or earplugs, when working around power tools.



### Cutting Hazard

The installation of the Swan product may require using power tools. Keep hands away from the cutting edge of any tool used in the installation of our product. Placing fingers in or around the cutting blades could result in serious personal injury.

## **WARNING**

**WARNING:** Indicates a potentially hazardous situation which, if not avoided, could result in serious injury or death.



### Eye Protection

Be sure to use all personal protective equipment to ensure your own safety. To avoid eye injury, always wear protective glasses with side shields when using power tools. Also, make sure no one else can be injured by flying particles when using power tools.



### Fire Hazard

Personal injury or death can result from a fire caused by flammable liquids or silicone. Cleaners or solvents can be highly explosive, resulting in personal injury or even death, when not used properly. Clean up any flammable substance immediately. Sparks or open flames can cause flammable substances to ignite. **DO NOT** smoke while working on or near any flammable substance.



### Solvents Hazard

Follow all manufacturer's safety instructions for silicone and denatured alcohol. Alcohol vapors are both flammable and hazardous to breathe. Silicone vapors may irritate eyes and nose. Personal injury can result from improperly handling or use of products such as denatured alcohol. Always follow the manufacturer's recommendations for the safe use of these products. Ventilate any work area before beginning to apply silicone, cleaning agents, or solvents.



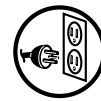
### Fumes Hazard

The fumes from the silicone and solvents used by the installer can be harmful if used in an unventilated room. Always work in a well-ventilated area.



### Dust Hazard

When cutting the hole for the floor drain, use a dust collection method which prevents dust particles from going into the air. Always work in a well-ventilated area. Always use an OSHA approved dust mask when cutting.



### Power Tool Hazard

To prevent personal injury or possible death, always follow the electrical safety recommendations of the power tool's manufacturer. Do not use power tools in an unsafe manner. Power tools should only be connected to a circuit protected by a ground-fault circuit interrupter (GFI).



### Shock Hazard

Never use electric power tools around water, condensation, or other liquids. Electric shock can cause severe burns, significant injuries, and even death. If an extension cord is required, always use an OSHA approved extension cord. Power cords should only be connected to a circuit protected by a ground-fault circuit interrupter (GFI).



### Electrical Shock Hazard

Contacting live electrical wiring with power tools or hand tools can cause serious injury or death. Make sure all related circuit breakers are turned OFF. Test for live circuits or wiring inside any wall where installation of the Swan product requires cutting into a wall.



### Electrocution Hazard

Water and other liquids conduct electric current and can create a short circuit, resulting in injury or death. Keep all liquids away from electrical cords and power tools. **DO NOT** create a short circuit between a source of electricity and a liquid by being in contact with both simultaneously.



### Grab Bars

It is recommended that shower compartments be equipped with support grab bars that comply with the most recent edition of ANSI-A117.1 requirements. Grab bars must be anchored to structural support (wall studs) behind shower compartment panels. Do not rely on the panels only for grab bar support!

# General Information

---

## General Information

Followed carefully, these installation instructions will result in an easy, trouble-free installation of your Swan product. Any deviations, additions, and/or deletions from the prescribed installation, without prior written approval of our Customer Relations Department, will void the warranty covering this product. Not following the directions could also result in personal injuries, water damage, and other damage to floors, pipes, walls, and other portions of your building or home.

## Required Tools

- Hammer
- Saber saw (for cutting 6" drain hole in subfloor)
- Tape measure
- Level
- Large head roofing nails (optional)
- Filler (thinset or mortar, if subfloor is not level)
- Clean paper towels or shop towels

## Kit Contents

Confirm that all parts of this kit have been included before beginning installation.

## Unpackaging

- Use care when opening the box so that you do not damage the shower floor.
- This product is shipped to you or your retail center after careful inspection. After purchasing the kit, carefully unbox and inspect the product for any shipping damage that may have occurred. If damage is found, report it immediately to the store of purchase. After inspection and during installation, protect the products from construction damage by moving them to another room or area until ready to install.
- Store shower floor on a flat surface until the time of installation. Do not store the shower floor outside of the original packaging in a vertical position.
- Please use the model number located on the side of the box or the front of this manual when contacting us with questions concerning the installation of this unit.
- Make sure the shower floor is the correct size and is in good condition. Installation of a damaged product will void the warranty.

## Helpful Hints

- Read all instructions carefully, BEFORE starting the installation. Familiarize yourself with the various parts of the kit.
- The variety of installations possible for this kit may require procedures other than those shown. Ensure construction is correctly sized, plumb, and square.

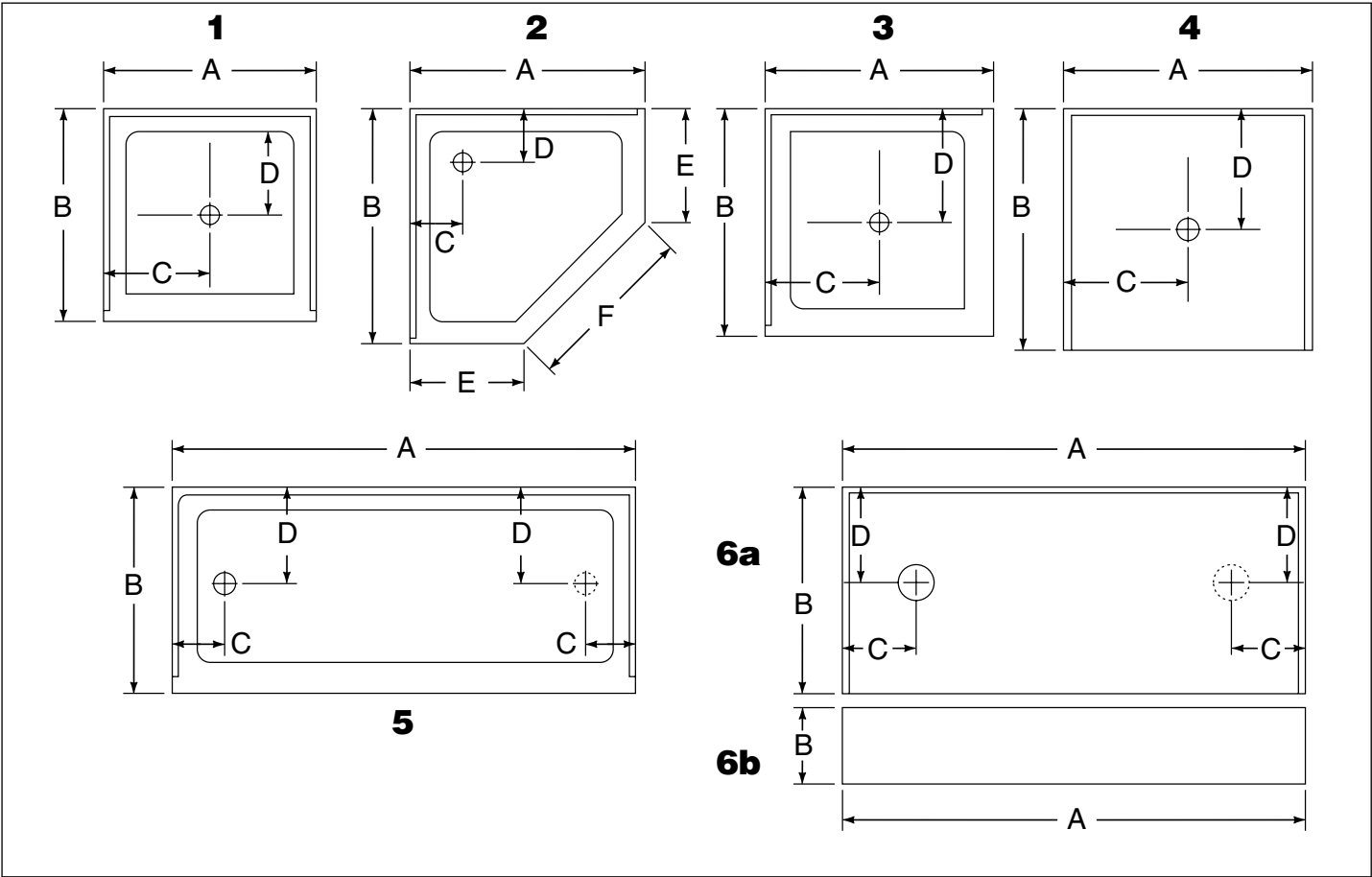
- Save the large cardboard box for protection of the shower floor during the installation process.
- Store unused materials away from the work area to prevent accidental damage.
- If the shower is placed over a garage or on an outside wall, care must be taken to ensure that the shower is properly insulated from cold temperatures.

## Preparation Tips

- Measure the rough opening without green board installed. The recommended measurements are 3/8" wider and at least 3/16" deeper than the actual size of the shower floor.
- Turn off the hot and cold water supply.
- Ensure all plumbing or electrical work inside the walls is finished prior to installation of the wall panels.
- The wall surface must have 1/2" (13 mm) moisture-resistant drywall, marine grade plywood, or concrete board installed after the installation of the shower floor. Never install our products directly on any surface that is, or may become, wet or damp.
- Make sure the drain hole in the subfloor or slab is large enough (6" diameter recommended) and aligns with the hole in the shower floor.
- Make sure the subfloor under the shower floor is level in both directions. The shower floor must be level when installed. Improper installation will void the warranty.
- The subfloor must be free of dirt, film, waxes, or any other residues.

## Disclaimer

- The information contained in this Installation Manual is given free of charge. It is based upon technical data which we believe to be reliable and is intended for use, by persons having knowledge of this technical area, at their own discretion and risk. Swan assumes no responsibility for results obtained or damage incurred from the use of this material either in whole or in part by the buyer.
- This manual will give you basic instructions for the installation of the product in a step-by-step sequence that will work in most types of installations. If you have an installation application that is not covered in this manual, please call your local Swan distributor or contact the Swan Corporation directly for additional information about your application.
- Follow all installation instructions. Failure to follow these instructions could result in personal injuries, water damage, or other damage to floors, pipes, walls, or other portions of your building or home.



These rough-in dimensions are suggested sizes only. For proper fit, measure the actual shower base prior to building the stud walls to determine the exact size. Add 3/8" to the width measurement and 3/16" to the depth measurement of the shower base to create the actual size of the rough-in opening needed.

**Shower Base and Drain Opening Rough-In Dimensions**

Item	Nominal Size	Dimension A	Dimension B	Dimension C	Dimension D
1 <sup>1</sup>	32" x 32"	32-3/8"	32-3/16"	16-3/16"	16-3/16"
1	32" x 48"	48-3/8"	32-3/16"	24-3/16"	16-3/16"
1	32" x 60"	60-3/8"	32-3/16"	30-3/16"	16-3/16"
1	34" x 42"	42-3/8"	34-3/16"	21-3/16"	17-3/16"
1	34" x 48"	48-3/8"	34-3/16"	24-3/16"	17-3/16"
1	34" x 54"	54-3/8"	34-3/16"	27-3/16"	17-3/16"
1	34" x 60"	60-3/8"	34-3/16"	30-3/16"	17-3/16"
1	36" x 36"	36-3/8"	36-3/16"	18-3/16"	18-3/16"
1	42" x 36"	36-3/8"	42-3/16"	18-3/16"	21-3/16"
1	42" x 42"	42-3/8"	42-3/16"	21-3/16"	21-3/16"
2 <sup>2</sup>	36" x 36"	36-1/8"	36-1/8"	12-3/16"	12-3/16"
2 <sup>3</sup>	38" x 38"	38-1/8"	38-1/8"	12-3/16"	12-3/16"
3	36" x 36"	36-1/16"	36-1/16"	18-1/16"	18-1/16"
4	38" X 37"	38-3/8"	37-3/16"	19-3/16"	18-9/16"
5	32" x 60"	60-3/8"	32-3/16"	8-3/16"	15-3/16"
6a <sup>1</sup>	30" X 60"	60-3/8"	30-3/16"	8-3/16"	15-3/16"
6b	12" X 60"	60"	12"	—	—

Footnote 1—Shower base area does not meet code for commercial applications. Footnote 2—Rough-in dimension E is 18-3/16" and F is 25-1/8".  
Footnote 3—Rough-in dimension E is 20-3/16" and F is 25-1/8".

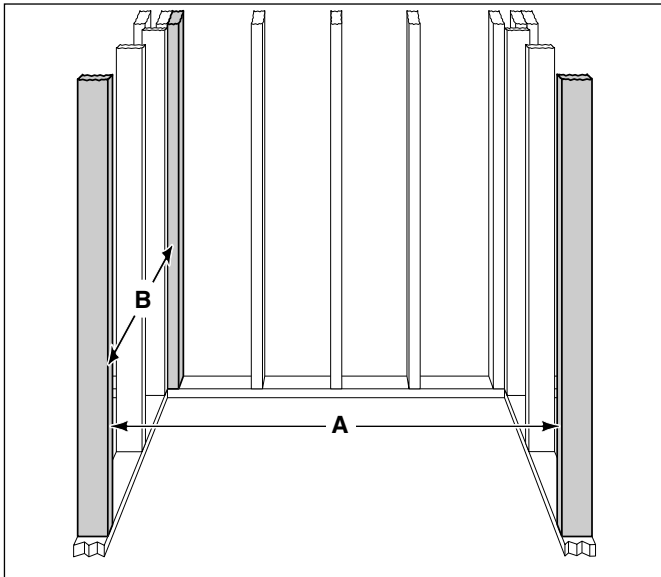
# Installation Procedure

## Rough Opening

Rough-in dimensions are suggested sizes, and conditions may vary for each installation. The recommended rough opening (no moisture-resistant drywall) measurements are 3/8" wider and at least 3/16" deeper than the actual size of the shower floor.

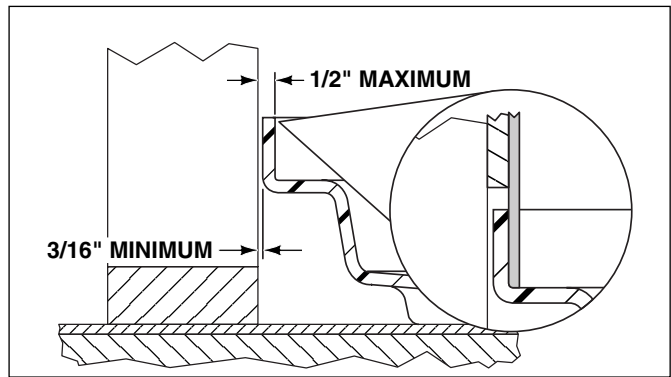
Refer to the Shower Base and Drain Opening Rough-In Dimensions chart for rough opening dimensions. Rough-in dimensions are provided for reference only. Measure the actual shower base and check local building code requirements before constructing the stud walls.

1. For new construction, build a wood or steel stud framework for the shower enclosure. Dry fit the shower floor to ensure the recommended 3/16" gap exists between the shower floor, the side wall studs, and the back wall studs.

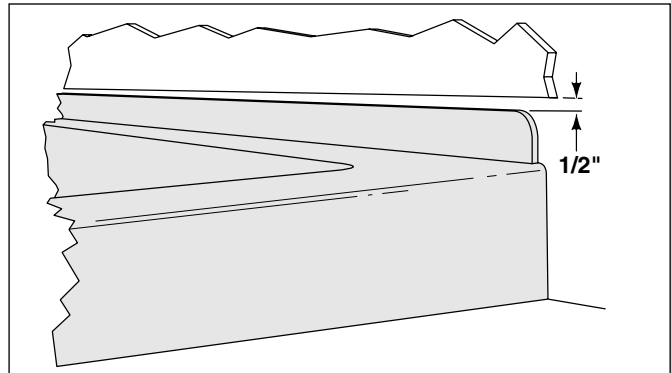


### IMPORTANT NOTICE

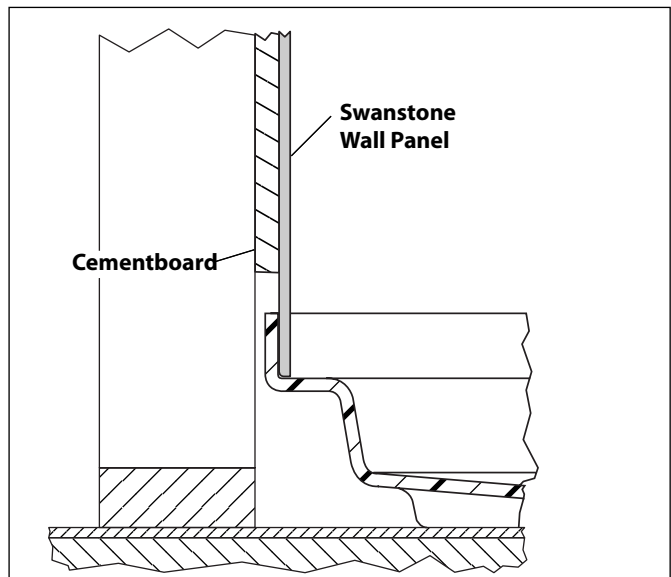
The rough opening is measured from the face of one stud to the face of the stud on the opposite wall. This installation has been developed for 1/2" greenboard or cementboard. If thicker materials are used, the rough opening must be increased in order to accommodate the thicker materials. **Correctly installed, the surface of the cementboard should be flush with the surface of the shower base lip, as shown in the next illustration.**



2. For existing construction, dry fit the shower base to make sure it fits correctly in the shower enclosure framework. The lip of the shower base should be at least 1/2" below the current wall surface, as shown.



**Note:** The shower base must fit the opening so that Swan wall panels overlap the lip of the shower base when installed over the existing wall surface, as shown below.



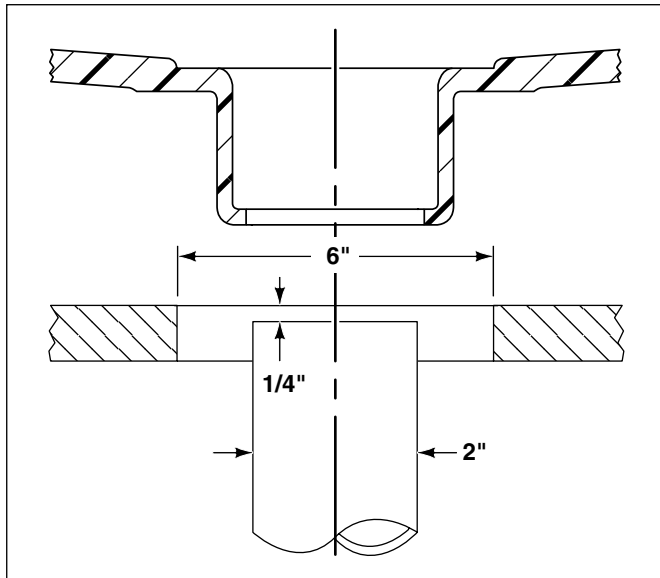


## Drain Location

Using the Shower Base and Drain Opening Rough-In Dimensions chart, make sure the drain hole is properly located. The recommended size of the hole in the floor for the drain pipe is approximately 6" in diameter.

The drain of the shower base is designed for 2" cast-iron (no-hub) or plastic drain pipes.

1. Dry fit the shower base to ensure a proper fit and correct alignment of the shower drain and the hole in the floor. The top of the drain pipe must be 1/4" below the floor level.



2. Temporarily remove the shower base and proceed with the installation instructions.

## Standard Shower Base Installation

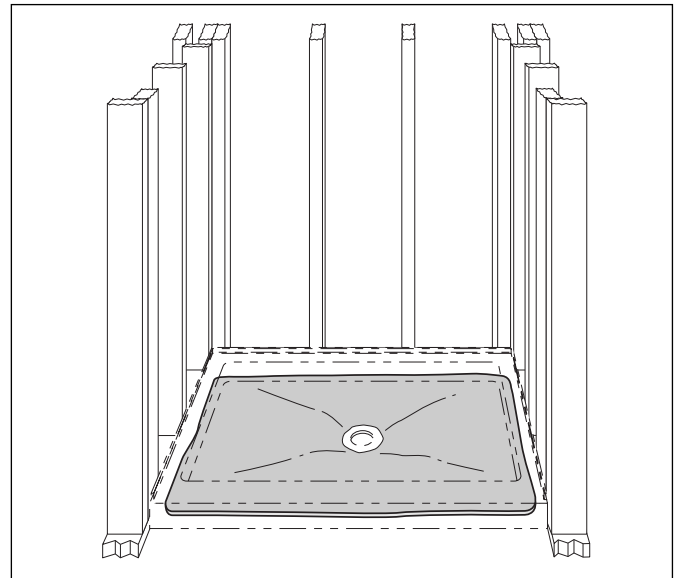
These instructions cover the installation of any square, rectangular, or neo-angle shower base. Barrier free shower floor and ramp installation instructions are provided in a separate section in this manual.

The shower base is designed to be installed directly on the subfloor and should rest loosely against the studs maintaining the recommended minimum 3/16" gap.

### IMPORTANT NOTICE

For best installation results, it is suggested to install the shower base using a mortar bed or equivalent material, such as thinset.

1. Place up to a 1/2" thick layer of mortar/thinset on the floor. This will ensure complete contact and support by the existing subfloor, eliminating shower floor flex during normal use. Taper the mortar/thinset to 1/4" thick around the floor drain. Mix enough material to cover the area under the shower base. Do not place the material closer than 2" to the edge of the shower base or the floor drain opening.



2. Place the shower base into the rough opening and firmly press it into the mortar/thinset. Make sure the side lips of the shower floor are parallel with the wall with a gap (3/16" recommended) between the face of the stud and the side lip.

**Note:** The mortar/thinset will prevent the shower base from moving without the use of any mechanical fasteners.

## ⚠ WARNING



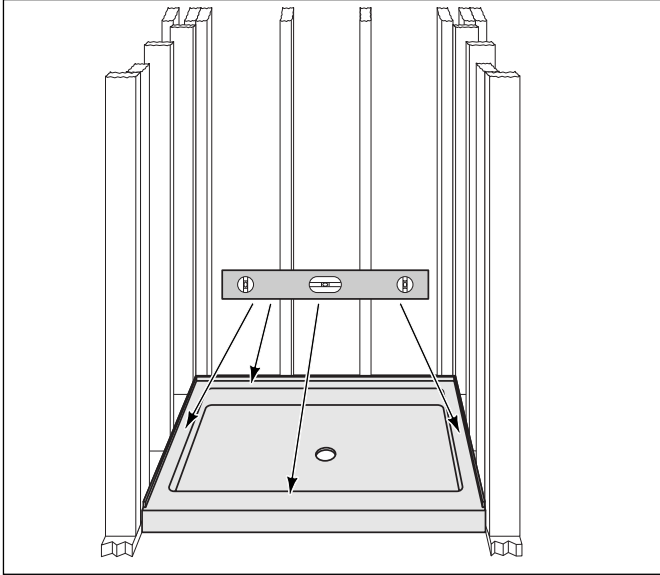
### Do Not Use Nails

To prevent damage to the shower floor and possible water or other damage to floors, pipes, walls, or other portions of your building or home, do not nail or screw **through** the shower floor to secure it to the stud wall. Nails can be used, but are not necessary, to hold the shower base in place. If nails are used, they must be installed **above** the shower flange and not through it. Refer to the specific instructions in this manual for the proper installation of these optional nails.

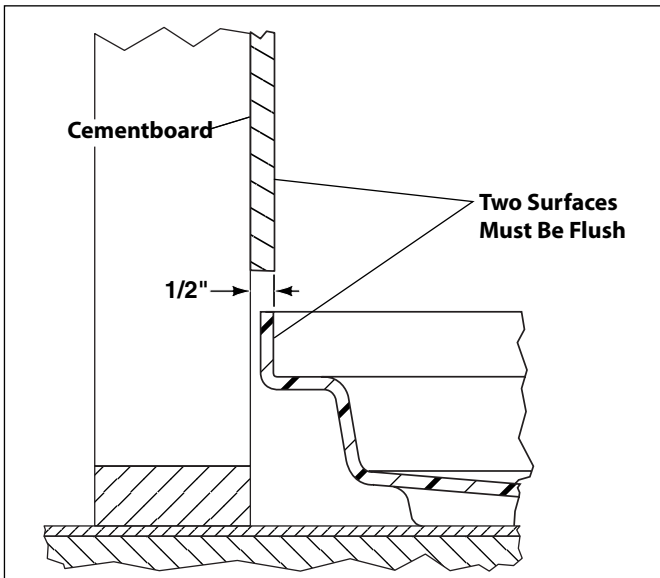
## Installation Procedure

- Level the shower base in both directions, and allow the mortar/thinset to cure for 24 hours.

**Note:** For optional, but not required, fastening of the shower base to the stud wall by toe-nailing, refer to the Optional Shower Base Toe-nailing Procedure section in this manual.



**Note:** The ideal placement of the shower base is 1/2" from the inside lip of the shower base to the face of the stud. This dimension allows the Swan wall panels to rest against the lip of the shower base once the moisture-resistant cementboard is installed, as shown.



- Refer to Floor Drain Installation section in this manual to complete the installation procedure

## Barrier Free Shower Floor and Ramp Installation

The barrier free shower floor is designed to be installed directly on the subfloor and should fit in the rough opening with a recommended minimum 3/16" gap between the shower floor and the wall studs .

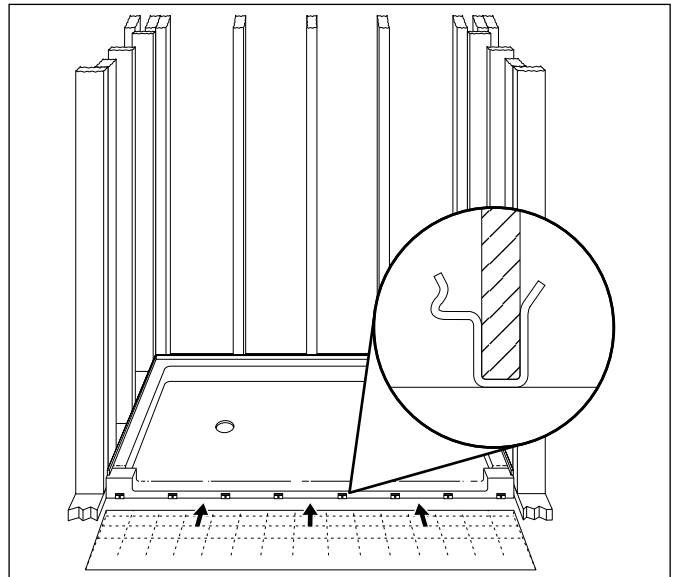
If the installation of the barrier free shower floor requires the attachment of the barrier free shower ramp, it is essential that the eight stainless steel clips, included with the ramp, be attached to the threshold of the barrier free shower floor **before** final installation.

### IMPORTANT NOTICE

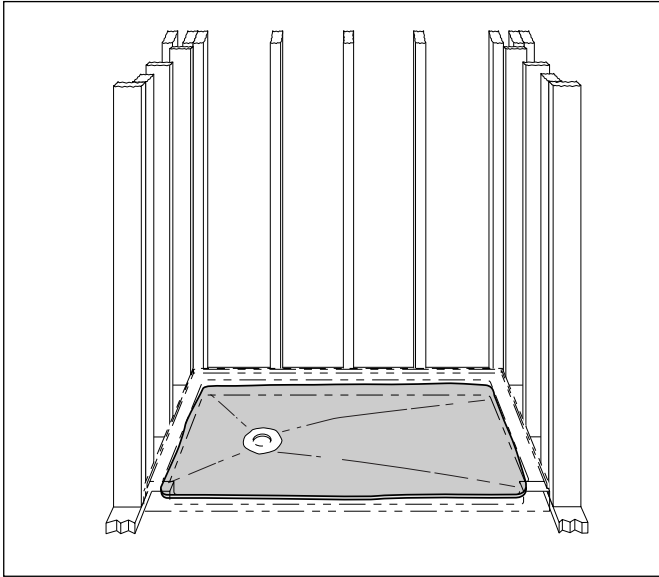
For best installation results, it is suggested to install the barrier free shower floor and shower ramp using a mortar bed or equivalent material, such as thinset.

- Attach each of the eight stainless steel clips to the underside of the shower floor threshold, positioned so they will be located between alternating structural ribs on the underside of the shower floor ramp. Dry fit the shower base and ramp, checking for correct fit.

**Note:** The bottom of the clips must contact the subfloor. If necessary, shim under the barrier free shower floor for subfloor contact to prevent the clips from being dislodged.



- Place up to a 1/2" thick layer of mortar/thinset on the floor. This will ensure complete contact and support by the existing subfloor, eliminating shower floor flex during normal use. Taper the mortar/thinset to 1/4" thick around the floor drain. Mix enough material to cover the area under the shower base. Do not place the material closer than 2" to the edge of the shower floor or the drain opening.



- With the stainless steel clips installed on the threshold, place the barrier free shower floor into the rough opening and firmly press it into the mortar/thinset. Make sure the side lips of the shower floor are parallel with the wall with a gap (3/16" recommended) between the face of the stud and the side lip.

**Note:** The mortar/thinset will prevent the shower floor from moving without any mechanical fasteners.

## ! WARNING

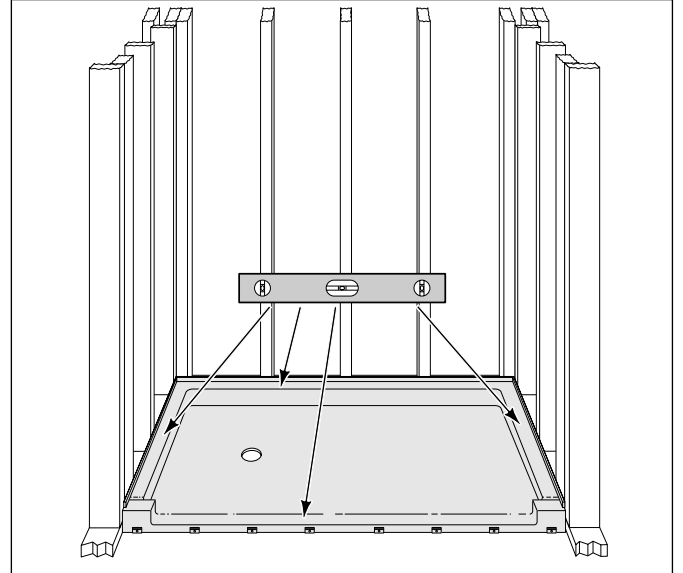


### Do Not Use Nails

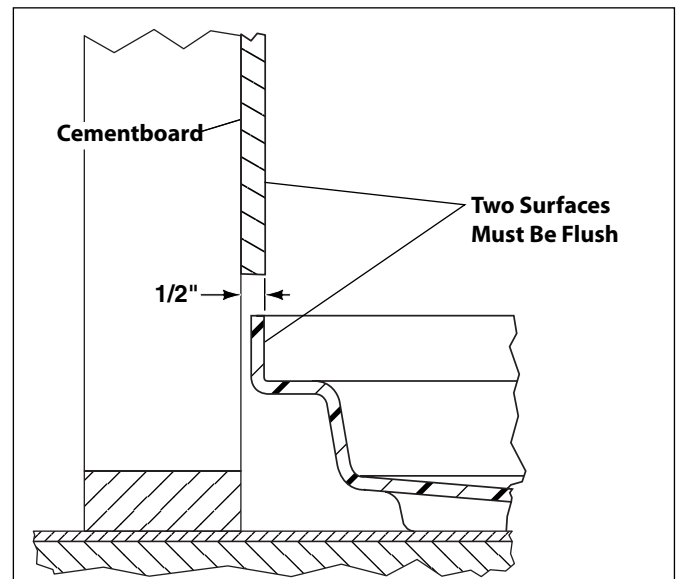
To prevent damage to the shower floor and possible water or other damage to floors, pipes, walls, or other portions of your building or home, do not nail or screw **through** the shower floor to secure it to the stud wall. Nails can be used, but are not necessary, to hold the shower base in place. If nails are used, they must be installed **above** the shower flange and not through it. Refer to the specific instructions in this manual for the proper installation of these optional nails.

- Level the barrier free shower floor in both directions, and allow the mortar/thinset to cure for 24 hours.

**Note:** For optional, but not required, fastening of the shower base to the stud wall by toe-nailing, refer to the Optional Shower Base Toe-nailing Procedure section in this manual.

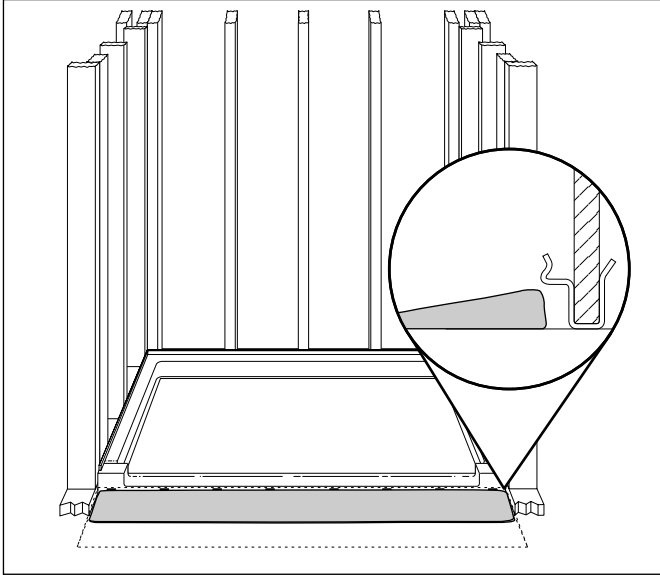


**Note:** The ideal placement of the shower base is 1/2" from the inside lip of the shower base to the face of the stud. This dimension allows the Swan wall panels to rest against the lip of the shower base once the moisture-resistant cementboard is installed, as shown.

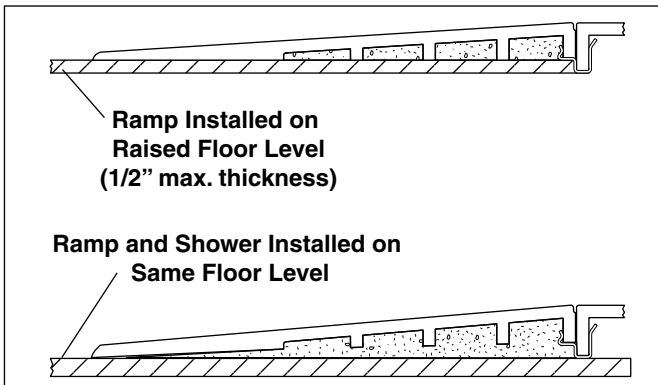


## Installation Procedure

- Place a layer of mortar/thinset on the floor. This will ensure complete contact and support by the existing floor surface, eliminating shower floor ramp flex during normal use. Taper the mortar/thinset toward the front (thin) edge of the shower ramp. Do not place the mortar/thinset material close to the front edge of the shower ramp.

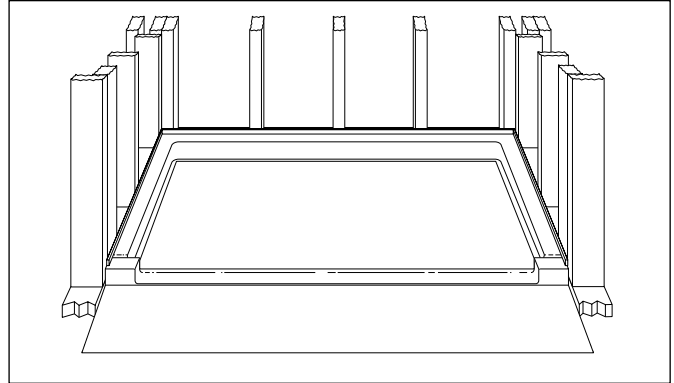


**Note:** The barrier free shower floor ramp can be installed on the same floor surface as the shower floor or can be installed on raised floor surface (up to 1/2" thick), as shown below.



- Firmly press the barrier free shower floor ramp into the mortar/thinset. The back (tall) edge of the shower ramp must engage all eight of the stainless steel clips to prevent the shower ramp from moving. The front (thin) edge of the shower floor ramp must completely contact the floor surface.

**Note:** Clean up any excess mortar/thinset and allow the mortar/thinset under the barrier free shower floor ramp to cure for 24 hours.



- Apply a bead of 100% silicone sealant to seal the joint between the shower floor and shower floor ramp.

**Note:** If the shower walls extend past the shower floor, apply a bead of silicone sealant at the joint where the walls and shower floor ramp meet.

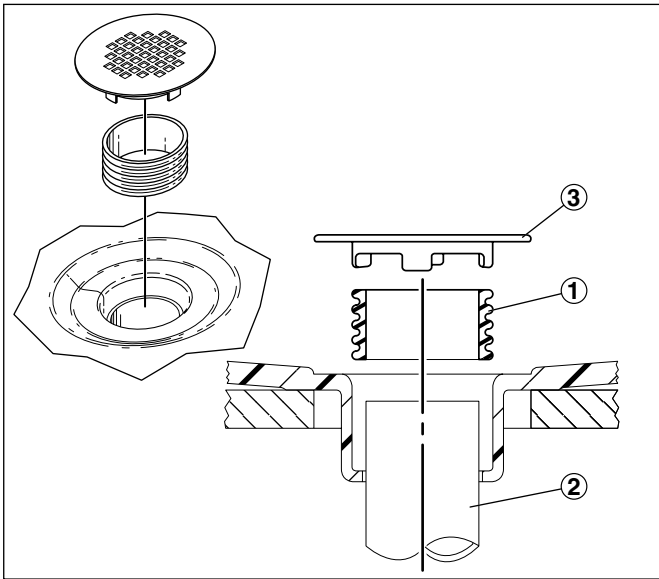
## Floor Drain Installation

### IMPORTANT NOTICE

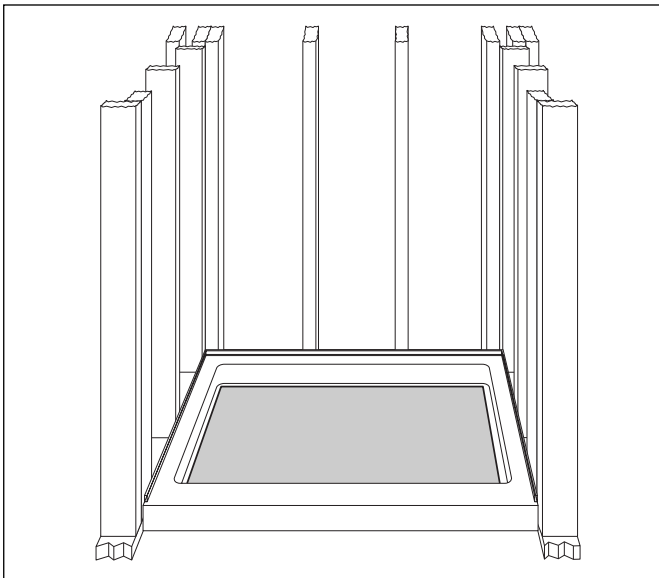
If no-hub, cast-iron drain pipe is used, make sure the end of the pipe is free of nicks, cuts, or burrs. To ensure a proper seal, lightly sand the drain pipe with emery paper or "0000" steel wool.

- Lubricate both caulk seal gasket (1) and drain pipe (2) with either liquid hand soap or dishwashing liquid, and slide the caulk seal gasket over the drain pipe.
- Complete the installation by snapping strainer plates (3) into place. With metal strainers, it may be necessary to bend the strainer tines slightly outward.

**Note:** If you need to pry the strainer up from the drain, you have a proper fit.



3. Place cardboard, or similar scratch resistant material, in the bottom of the shower base to prevent possible damage during construction.



The shower base/floor installation is now complete. **DO NOT** discard these installation instructions. **PLEASE LEAVE THEM WITH THE HOMEOWNER.**

## Optional Shower Base Toe-nailing Procedure

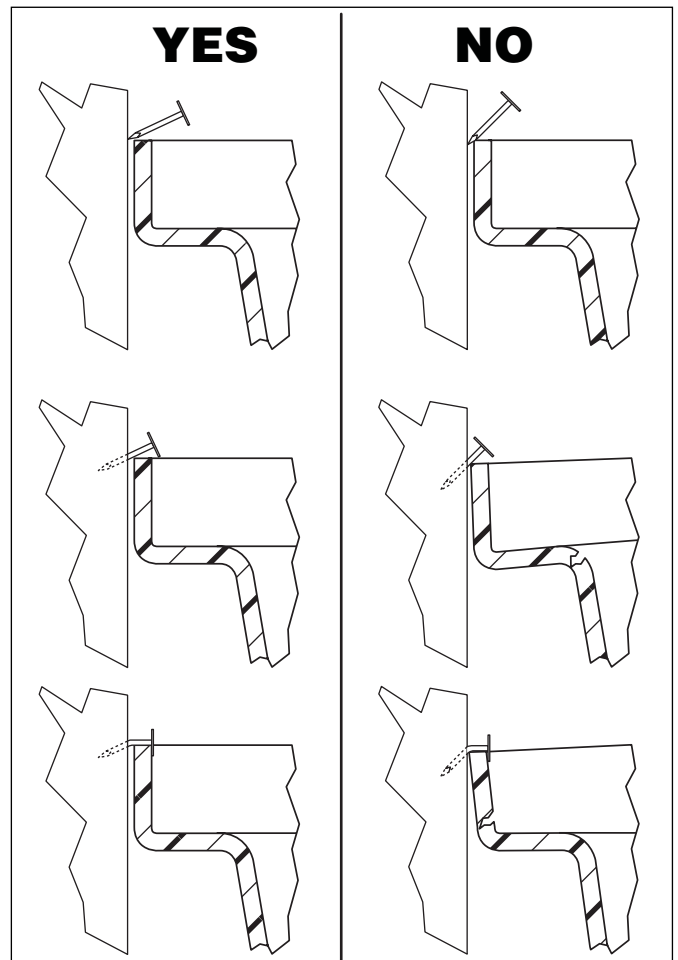
If desired, after the shower base has been set into a mortar base and leveled, follow this optional procedure for toe-nailing the shower base to the stud wall.

### **! WARNING**



The shower base must be set in a bed of mortar to properly hold it in place. Nails can also be added, but are not necessary, to hold the shower base in place. To prevent damage to the shower floor and possible water or other damage to floors, pipes, walls, or other portions of your building or home, do not nail or screw **through** any part of the shower floor. If nails are used, they must be installed **above** the shower base flange and not through it.

1. Drive large head (roofing) nails into the studs **just above** the top of the shower base flange, at a slight downward angle until the head is flush with the edge of the shower base lip.
2. Tap the head of the nail downward so it is just above the flange. **Do not** put side or downward pressure against the flange.



# Maintenance & Surface Repair

---

## Care and Cleaning

Swan products are stain and abrasion resistant; however, the finish requires reasonable care.

### IMPORTANT NOTICE

Because cleaning products change over time, always check the manufacturer's instructions to make sure it is compatible with plastic. DO NOT use a cleaner if the label indicates it should not be used on plastics. DO NOT use spray-on cleaners that require daily use without immediately rinsing with water to stop the chemical cleaning reaction because damage will result and void the warranty.

---

## Day-To-Day Cleanup

Simply wipe the surfaces with a clean towel to remove watermarks and residues. All Swan products can be cleaned with warm water, a soft cloth, and normal household detergents or cleansers, such as Fantastic, Formula 409, Clorox Clean-up, Handy Andy, Mr. Clean, or Lestoil. Always rinse off cleaners within five minutes of application.

If necessary, use an abrasive cleaner such as Ajax or Comet with a nylon brush or pad to remove build up on the pebble surface. **Do Not** use steel wool or a wire brush. This will damage the surface.

## Caulking Joints

Inspect all caulking joints monthly for damage or any signs of separation from the mating wall surface. Cracks in the caulking will allow water to leak into the surrounding surfaces. **Reapply caulking to any joint showing signs of wear or cracking.** Failure to inspect and repair caulking joints will void the warranty.

## Surface Repair

### Light Scratches

Use 400 grit sandpaper to remove light scratches in the surface.

### Deep Scratches or Gouges

For deeper scratches or gouges, use 220 or 320 grit sandpaper. A "Scotchbright pad" can be used to blend the repair into the surrounding area.

## **LIMITED WARRANTY FOR RESIDENTIAL APPLICATIONS**

If a Swan product covered by this warranty is found to be defective in materials or workmanship, after inspection by an authorized Swan Corporation representative, we will repair, or at our option, exchange the product for a similar model. This warranty extends for a designated period of time, so long as it remains in use in its original place of installation.

This warranty covers products installed in accordance with the Swan Corporation's installation instructions, used as recommended, and not damaged due to misuse, abuse, or improper installation. It does not apply to any seams or changes made to the product by professional tradesmen or fabricators.

The warranty applies only to the original purchaser and installation of these products in residential applications. It does not apply to commercial applications.

The Swan Corporation's option to repair or exchange the products under this warranty does not cover any labor or other costs of removal or installation, nor shall the Swan Corporation be responsible for any other incidental or consequential damages attributable to a product defect or to the repair or exchange of a defective product.

### **Limited Lifetime Warranty**

Swanstone Shower Floors

## **LIMITED WARRANTY FOR COMMERCIAL APPLICATIONS**

If a Swan product covered by this warranty is found to be defective in materials or workmanship, after inspection by an authorized Swan Corporation representative, we will repair, or at our option, exchange the product for a similar model. This warranty extends for a designated period of time, so long as it remains in use in its original place of installation.

This warranty covers only products installed in accordance with the Swan Corporation's installation instructions, used as recommended, and not damaged due to misuse, abuse, or improper installation. It does not apply to any seams or changes made to the product by professional tradesmen or fabricators.

The warranty applies only to the original purchaser and installation of these products in commercial applications.

The Swan Corporation's option to repair or exchange the products under this warranty does not cover any labor or other costs of removal or installation, nor shall the Swan Corporation be responsible for any other incidental or consequential damages attributable to a product defect or to the repair or exchange of a defective product.

### **10-Year Limited Warranty**

Swanstone Shower Floors

**Save these Installation Instructions for future reference. They provide important information on cleaning, maintenance, and surface repair of the Swan Wall Systems and Panels.**

