



## BD-4896 Bathtub Deck

## SWANSTONE TUB DECK

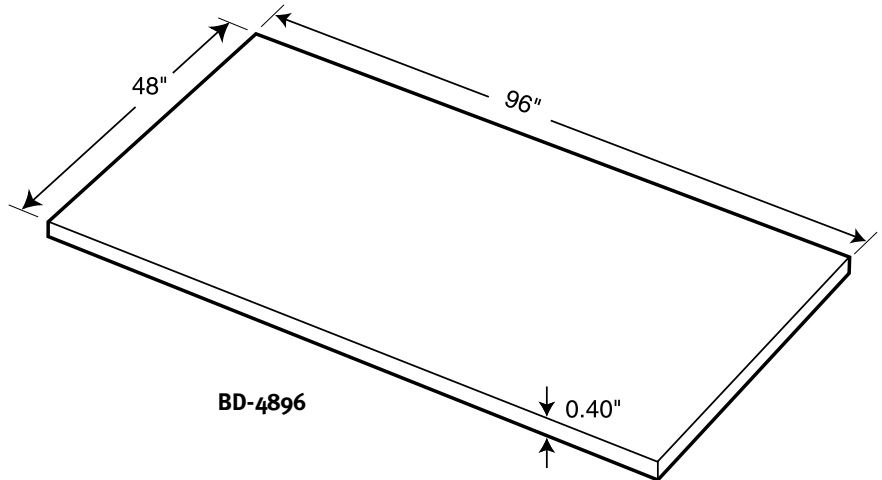
**WARRANTY**  
 Limited Lifetime – Residential  
 Limited 25-year – Commercial

**Manufactured from Swanstone solid surface**  
 (see page 2 for detailed information)

*Recommended for high use traffic areas and commercial surfaces*

### FEATURES

- Fits most whirlpool-style drop-in tubs
- Deck is two times thicker than wall panels
- All four sides are finished
- Reinforced solid surface means color and texture run all the way through and cannot wear away
- Will not mold or mildew, no grout to clean
- Compression molding means superior durability



### SPECIFICATIONS

#### BD-4896 Bathtub Deck

Model	Part	Ship Dimensions	Ship Wt. Lb.	Carton UPS	Dims. In.	Cu. Ft.
BD-4896	BD-4896	48" x 96" (1219 mm x 2438 mm)	210	–	98 x 56 x 4	12.70

Kit Includes: One 48" x 96" bathtub deck.

Packaging: Each kit is packed in an individual carton.

### COLORS (See pg. 139 for color sample.)

- White (010)
- Bone (037)
- Bisque (018)
- Almond Galaxy (046)
- Arctic Granite (035)
- Barley (091)
- Bermuda Sand (040)
- Gray Granite (042)
- Green Pasture (095)
- Sierra (094)
- Tahiti Blue (056)
- Tahiti Desert (050)
- Tahiti Evergreen (057)
- Tahiti Gray (053)
- Tahiti Ivory (059)
- Tahiti Matrix (058)
- Tahiti Rose (052)
- Tahiti Sand (051)
- Tahiti Terra (055)
- Tahiti White (011)
- Cornflower (063)
- Ironweed (061)
- Night Sky (012)
- Purple Sage (064)
- Wild Indigo (022)
- Winter Wheat (060)
- Indian Grass (071)
- Pebble (072)
- Seafoam (074)

### STANDARDS AND RATINGS

Class 1A fire rating

National Sanitation Foundation-NSF Splash Zone, -NSF Food Zone

American Society for Testing and Materials

National Electrical Manufacturers Association

For a complete list of tests and results see the Technical Data Sheet – page 129.

### SUPPORT DOCUMENTS

Installation instructions available on line at [www.swanstone.com](http://www.swanstone.com)

### MAINTENANCE AND CLEANING INFORMATION

Clean your Swanstone bathtub deck with powdered abrasive cleaners. Use of a Scotch-Brite pad is recommended to remove stubborn stains. Occasional use of a mild bleach and water solution ensures that the original luster is maintained. Any surface scratches can be removed with #400 grit sandpaper.