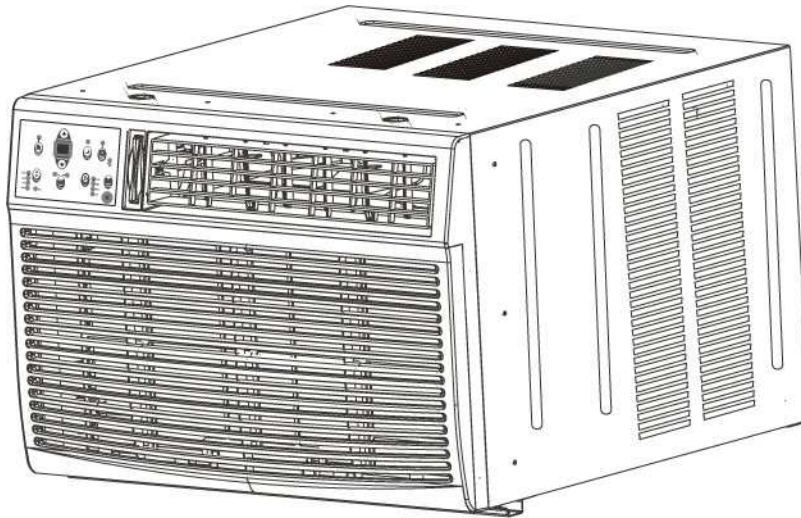




## WINDOW / WALL-TYPE ROOM AIR CONDITIONER



WA-1511S: 15,000 BTU

WA-1811S: 18,500 BTU

WA-2211S: 22,000 BTU

WA-2511S: 25,000 BTU

Thank you for your purchase. Before using your air conditioner, please read this manual carefully and keep it for future reference.

# CONTENTS

SAFETY PRECAUTIONS .....	2
IMPORTANT SAFETY INSTRUCTIONS .....	3
NORMAL SOUNDS .....	4
AIR CONDITIONER FEATURES .....	4
INSTALLATION INSTRUCTIONS .....	9
WINDOW MOUNTING .....	11
THROUGH-THE-WALL INSTALLATION .....	14
MASONRY CONSTRUCTION .....	16
CARE AND CLEANING .....	16
TROUBLESHOOTING TIPS .....	17
SPECIFICATIONS .....	18
REMOTE CONTROL .....	19

## READ THIS MANUAL

Inside you will find many helpful hints on how to use and maintain your air conditioner properly. Just a little preventive care on your part can save you a great deal of time and money over the life of your air conditioner. You'll find many answers to common problems in the chart of troubleshooting tips. If you review our chart of Troubleshooting Tips first, you may not need to call for service at all.



### CAUTION

- Contact the authorized service technician for repair or maintenance of this unit.
- Contact an installer for installation of this unit.
- The air conditioner is not intended for use by young children or infirm persons without supervision.
- Young children should be supervised to ensure that they do not play with the air conditioner.
- If the power cord is to be replaced, replacement work is to be performed by authorized personnel only.
- Installation work must be performed in accordance with the national wiring standards, by authorized personnel.



*Note: All illustrations in this manual are for explanation purposes only. Your air conditioner may be slightly different. The actual shape shall prevail.*

**The manual provides specific operating instructions. Use the air conditioner only as instructed in the manual. These instructions are not meant to cover every possible condition and situation that may occur. Common sense and caution must be practice when installing, operating and maintaining any appliance.**

# SAFETY PRECAUTIONS

To prevent injury or property damage, the following instructions must be followed. Failure to follow instructions and incorrect operation may cause harm or damage.

Warning marks and classification:

 <b>WARNING</b>	Indicates possibility of death or serious injury.
 <b>CAUTION</b>	Indicates possibility of injury or property damage.

## **WARNING**

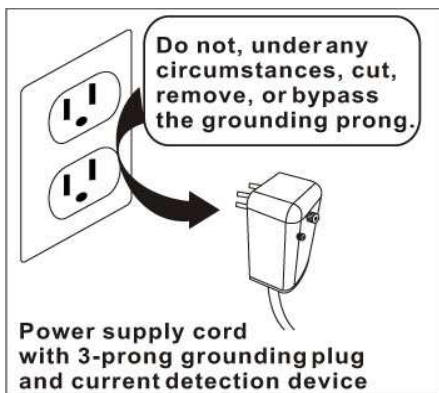
- Ensure plug is firmly connected to prevent electric shock or fire due to excess heat generation.
- Never operate or stop the unit by inserting or removing the power plug.
- Do not operate if cord or plug is damaged or after the appliance malfunctions in any manner. Contact the manufacturer or similarly qualified technician.
- Never modify or alter the power cord in any way.
- Do not use an extension cord or an adapter plug.
- Use a dedicated circuit to avoid possibility of an electrical surge.
- Do not operate with wet hands or in a damp environment.
- For health purposes, do not direct airflow directly at room occupants.
- The air conditioner must be properly grounded.
- Do not splash water onto the unit or allow water to get into the electric parts.
- Unplug unit immediately if strange sound, smell or smoke is emitting from unit.
- Never open or remove the housing while in operation.
- Keep firearms, combustibles and flammable gas away from unit.
- Keep power cord away from heat sources.
- If there was a gas leak from another source, ventilate the room thoroughly before operating the unit.
- Do not disassemble or modify the unit.
- Turn off and unplug the machine when it will not be used for an extended period of time.
- Never leave the appliance unsupervised when in operation.

## **CAUTION**

- When cleaning the filter, be cautious of sharp edges and corners.
- Never clean the unit by spraying water onto the unit, especially the control panel.
- When used in the same room with a stove operating, keep room ventilated to prevent oxygen shortage.
- Always turn unit off and unplug power source before cleaning and maintenance.
- Do not expose pet or plant in direct airflow of the unit.
- Not intended for special purposes. Do not use this air conditioner to preserve precision devices, food, pets, plants and art objects. May cause deterioration of quality.
- Disconnect during thunderstorms and hurricane.
- Remove plug from wall outlet by grasping the plug, never remove by pulling on the cord.
- Do not block air inlets and outlets.
- Inspect the brackets frequently to ensure no damages occurred due to prolonged exposure.
- Clean filter once every two weeks. Be sure filter is replaced properly.
- Never clean the unit with harsh chemicals or abrasive scouring pads or powders.
- Do not consume the water drained from the air conditioner.
- Use caution when unpacking and installing. Sharp edges could cause injury.
- When unit is not in good order, please use common sense to prevent further damage to surroundings.
- The manufacturer is not responsible for damages caused by improper use or non-observance of this instruction manual.

# IMPORTANT SAFETY INSTRUCTIONS

**NOTE:** For some models, the power supply cord with this air conditioner contains a current detection device designed to reduce the risk of fire. Please refer to the section “Operation of Current Device” for details. In the event that the power supply cord is damaged, it cannot be repaired – it must be replaced with a cord from the Product Manufacturer.



## WARNING – For Your Safety

- Do not store or use gasoline or other flammable vapors and liquids in the vicinity of this or any other appliance.
- Avoid fire hazard or electric shock. Do not use an extension cord or an adaptor plug. Do not remove any prong from the power cord.

## WARNING – Electrical Information

- Be sure the electrical service is adequate for the model you have chosen. This information can be found on the serial plate, which is located on the side of the cabinet and behind the grille.
- Be sure the air conditioner is properly grounded. To minimize the shock and fire hazards, proper grounding is important. The power cord is equipped with a three-prong grounding plug for protection against shock hazards.
- Your air conditioner must be used in a properly grounded wall receptacle. If the wall receptacle you intend to use is not adequately grounded or protected by a time delay fuse or circuit breaker, have a qualified electrician install the proper receptacle.
- Ensure the receptacle is accessible after the unit installation.
- Do not run air conditioner without side protective cover in place. This could result in mechanical damage within the air conditioner.
- **Do not use an extension cord or an adaptor plug.**

## Operation of Current Device

The power supply cord contains a current device that senses damage to the power cord. To test your power supply cord, do the following:

1. Plug in the Air Conditioner.
2. The power supply cord will have TWO buttons on the plug head. Press the TEST button, you will notice a click as the RESET button pops out.
3. Press the RESET button and you will notice another click as the button engages.
4. The power supply cord is now supplying electricity to the unit. (On some products, this is also indicated by a light on the plug head.)

## NOTES:

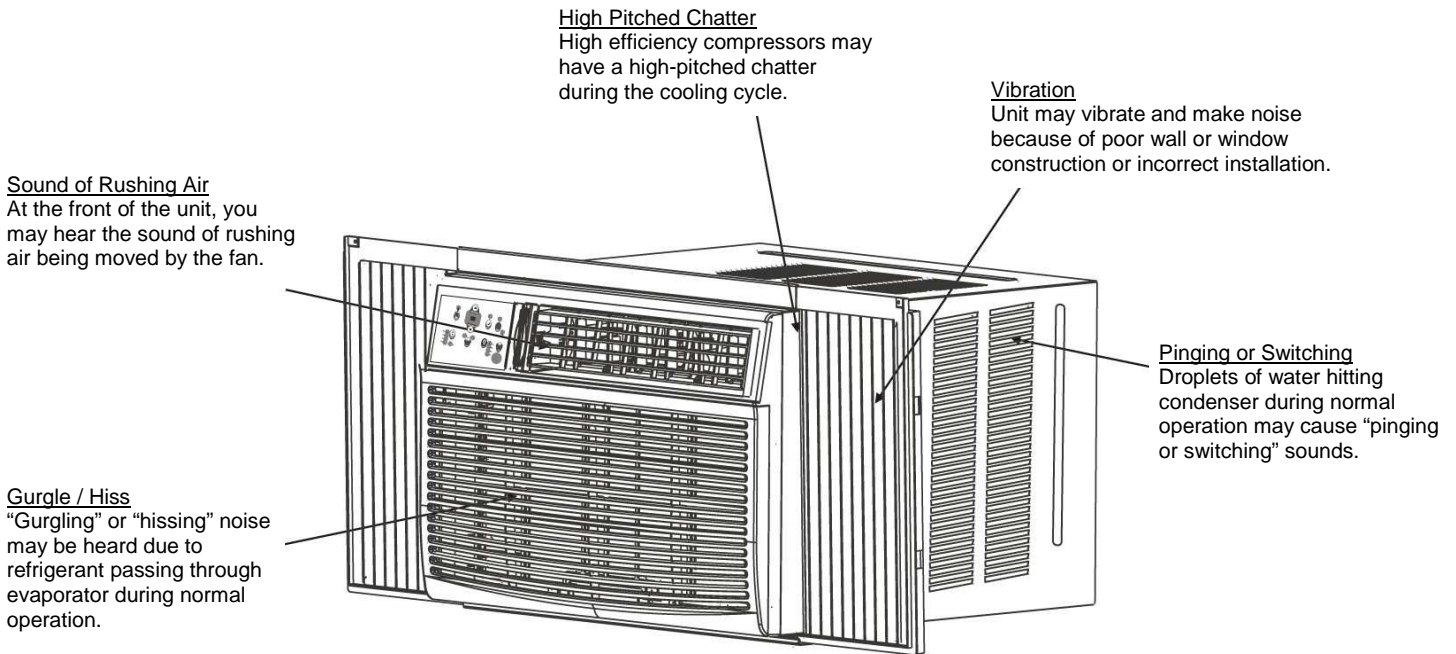
- Do not use this device to turn the unit on or off.
- Always make sure the RESET button is pushed in for correct operation.
- The power supply must be replaced if it fails to reset when TEST button is pushed or when it cannot be reset. A new one can be obtained from the product manufacturer.

**NOTE:** This air conditioner is designed to operate under condition as follows:

Cooling operation	Outdoor temp	64~109°F (T <sub>1</sub> Environment)
	Indoor temp	62~89°F (T <sub>1</sub> Environment)

Note: Performance may be reduced outside of these operating temperatures.

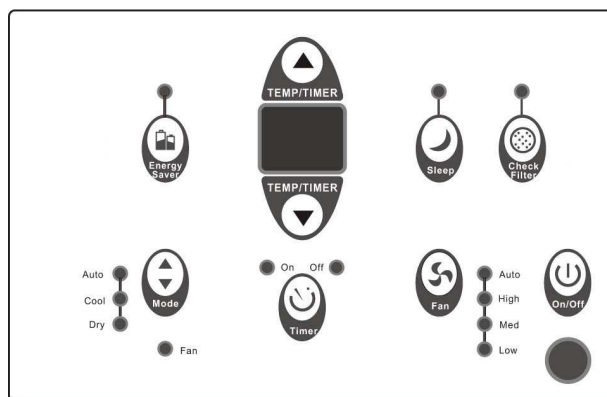
# NORMAL SOUNDS



# AIR CONDITIONER FEATURES

## ELECTRONIC CONTROL OPERATING INSTRUCTIONS

Before you begin, thoroughly familiarize yourself with the control panel and remote as shown below and all its functions, then follow the symbol for the functions you desire. **The unit can be controlled by the unit control alone or with the remote.**

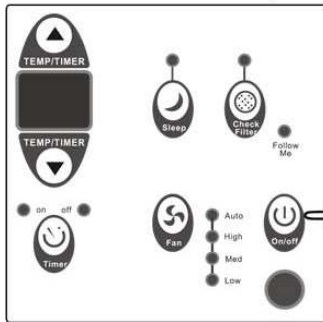


NOTE: All illustrations are for explanation purposes only. The actual appearance of the unit control may differ slightly, though functions and operations are the same

## AIR CONDITIONER FEATURES (CONTINUED)

**NOTE:** The following instruction represent the Unit Controls, the same instructions can be used for the Remote Control.

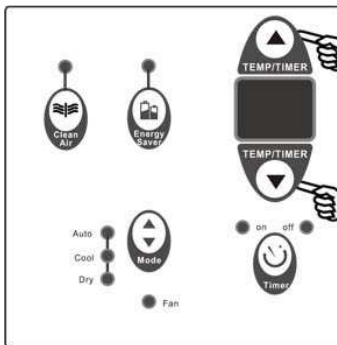
### TO TURN UNIT ON:



**DO THIS:**

Press the On/Off button.

### TO CHANGE TEMPERATURE SETTING:



**DO THIS:**

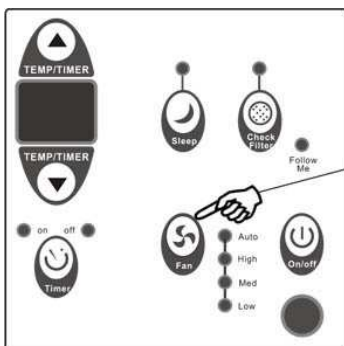
Press to increase

Press to lower

**NOTE:**

Press or hold either Up (▲) or Down (▼) button until the desired temperature is seen on the display. This temperature will be automatically maintained anywhere between 62°F (17°C) and 86°F (30°C). If you want the display to read the actual room temperature, see “To Operate on Fan Only” section.

### TO ADJUST FAN SPEEDS:



**DO THIS:**

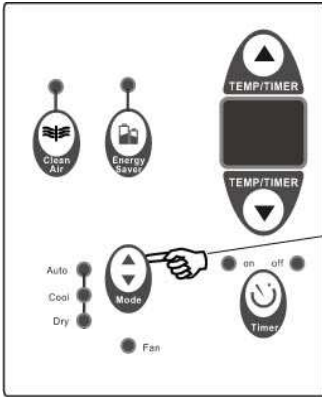
Press to select appropriate fan speed

**NOTE:**

Select Fan Speed in four steps – Auto, Low, Med or High. Each time the button is pressed, the fan speed mode is shifted. In Dry mode, the fan speed is set at Low automatically.

# AIR CONDITIONER FEATURES (CONTINUED)

## TO SELECT THE OPERATING MODE:



**DO THIS:**

Press the Mode button.

### NOTE:

- Press the Mode button to select operating mode. With each press of the button, the mode will go through the following sequence: Auto, Cool, Dry and Fan. The indicator light next to each corresponding mode will illuminate

### AUTO mode:

- When the air conditioner is set in AUTO mode, unit will automatically select Cooling or Fan operation, depending on set and ambient temperature.
- Set temperature range is 62~86°F.
- Unit engages COOL mode when ambient temperature is 4°F above set temperature. And when ambient temperature falls 2°F below set temperature, unit will switch to FAN.
- Fan speed cannot be adjusted in AUTO mode.

### COOL mode:

- Set temperature range is 62~86°F.
- Unit begins Cooling when ambient temperature is 2°F above set temperature. Cooling stops and unit switches to Fan when set temperature has been reached.
- Fan speed can be selected

AUTO vs. COOL (example with set temp @ 70°F)

AUTO: Cools down to 68°F → Fan, up to 74°F → Cool

COOL: Cools down to 70°F → Fan, up to 72°F → Cool

### FAN only mode:

- Use this function when cooling is not desired, such as for air circulation. Best to open windows when operating in Fan only mode but remember to close windows in Cooling mode for maximum cooling efficiency.
- Fan speed can be adjusted.
- In Fan mode, the display will show actual room temperature.
- Temperature cannot be set or adjusted.

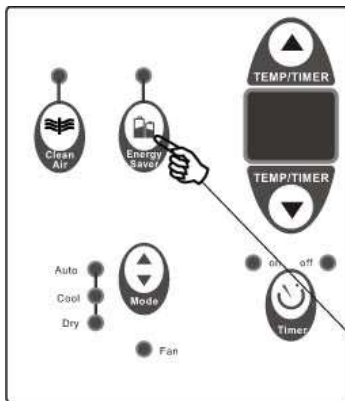
### DRY mode:

- In this mode, the air conditioner will generally operate in the form of a dehumidifier. Since the conditioned space is closed or sealed area, some degree of cooling will continue.

### ENERGY SAVER feature:

This feature can be selected when unit is in COOL mode. When the set temperature has been reached and compressor shuts off, fan will continue to run for another 3 minutes, then cycles on for 2 minutes at 10-minute intervals until the room temperature has rise above set temperature, at which point the compressor turns back on and Cooling resumes.

## ENERGY SAVER FEATURE:



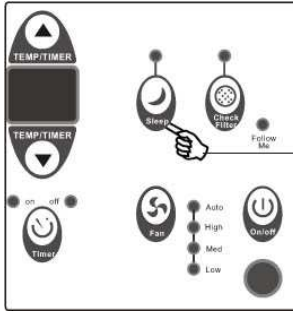
**DO THIS:**

Press the button.



# AIR CONDITIONER FEATURES (CONTINUED)

## SLEEP FEATURE:



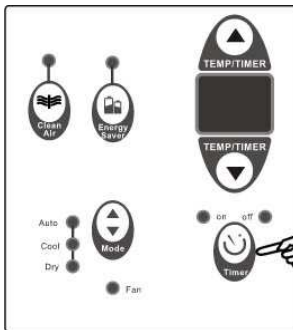
**DO THIS:**  
Press Sleep button.

### SLEEP feature:

When selected in conjunction with COOL mode:

- Unit will operate at set temperature for 30 minutes.
- After 30 minutes, unit will increase temperature by 2°F. After another 30 minutes, unit will again increase temperature by 2°F.
- Unit will operate at the new temperature for 6 hours.
- After 6 hours, unit will return to original setting and continue to operate as originally programmed. This ends the SLEEP feature.
- SLEEP feature can be cancelled at any time during operation by pressing the SLEEP button again.

## TIMER: AUTO START/STOP FEATURE:

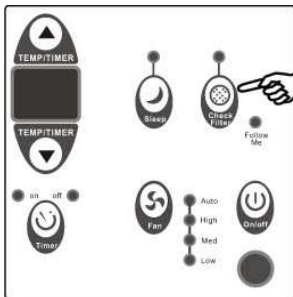


**DO THIS:**  
Press Timer button.

### TIMER feature:

- Press the TIMER button to program Auto-Start or Auto-Off. The corresponding indicator light will illuminate.
- Use the UP/DOWN arrow buttons to program. Each press is increment of 0.5 hours up to 10 hours, then in increments of 1 hour up to 24 hours.
- Unit will register timer setting after 5 seconds. If unit is on, display will revert back to previous temperature setting. If unit is off, there will be no display.
- Turning the unit ON or OFF or adjusting the timer to 0 will cancel the timer program.

## CHECK FILTER FEATURE:

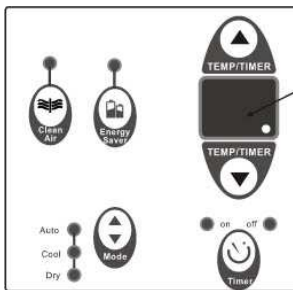


**DO THIS:**  
Press Check Filter button.

### FILTER CHECK feature:

This feature is a reminder to clean the Air Filter for more efficient operation. The LED light will illuminate after 250 hours of operation. Once the filter has been cleaned, press the Check Filter button to reset.

## DISPLAY:



Display

### DISPLAY:

- COOL mode: displays set temperature in °C or °F and timer.
- FAN mode: displays ambient temperature

### Error Codes:

“AS” = room temperature sensor error. Disconnect unit from power source, wait 3 minutes and plug back in. If error persists, call for service.

“.” = evaporator temperature sensor error. Disconnect unit from power source, wait 3 minutes and plug back in. If error persists, call for service. (As shown in image to the left)



## ADDITIONAL THINGS YOU SHOULD KNOW

Now that you have mastered the operating procedures, here are some additional features:

- The Cool circuit has an automatic 3-minute time delay when unit is turned off and on quickly. This protects the compressor from overheating and possible tripping of the circuit breaker. The fan will continue to run during this time.
- The LCD is capable of displaying temperature in °F or °C. To switch the temperature scale, press and hold both UP and DOWN buttons simultaneously for 3 seconds.

### FRESH AIR VENT CONTROL



1. VENT CLOSED  
(Circulates indoor air)

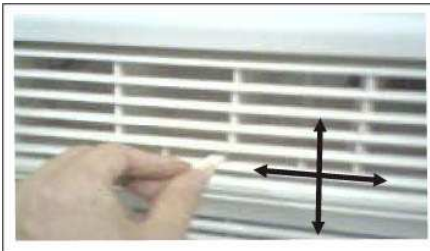


2. VENT OPEN  
(Draws fresh air into the room)



3. VENT & EXHAUST OPEN  
(Indoor / outdoor air exchange)

### AIR DIRECTIONAL LOUVERS



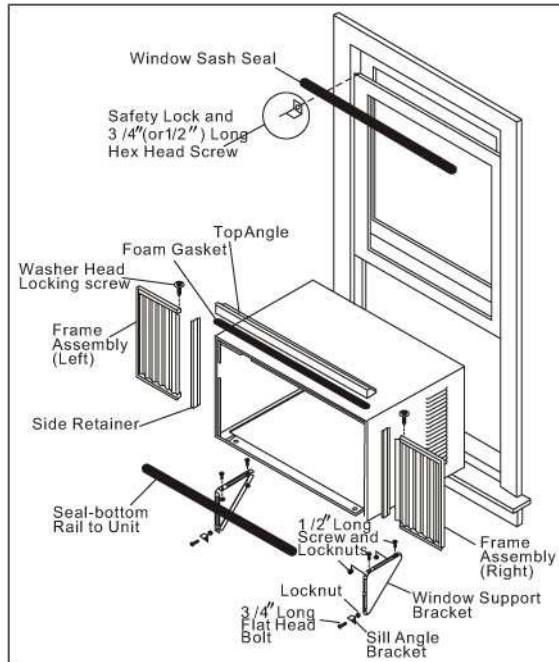
Directional louvers can be adjusted Left or Right and Up or Down.

# INSTALLATION INSTRUCTIONS

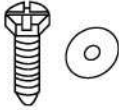

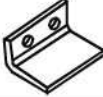


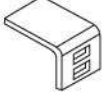

## PARTS LIST AND TOOLS NEEDED

### TOOLS

- A large flat blade screwdriver
- Phillips screwdriver
- Socket wrenches
- Adjustable wrench or pliers
- Tape measure
- Pencil
- Level



### Hardware (Packed with the unit)

	7/16 inch Locking screw and Flat washer for window panels	2 ea.
	3/4 (or 1/2) inch Long Hex-head Screw	4
	Safety Lock	1
	1/2 inch Long screw and Locknut	4ea.
	3/4 inch Long Flat Head Bolt and Locknut	2ea.
	Sill Angle Bracket	2
	Long hex-head locking screw for top angle, side retainer 5/16 inch Long	10

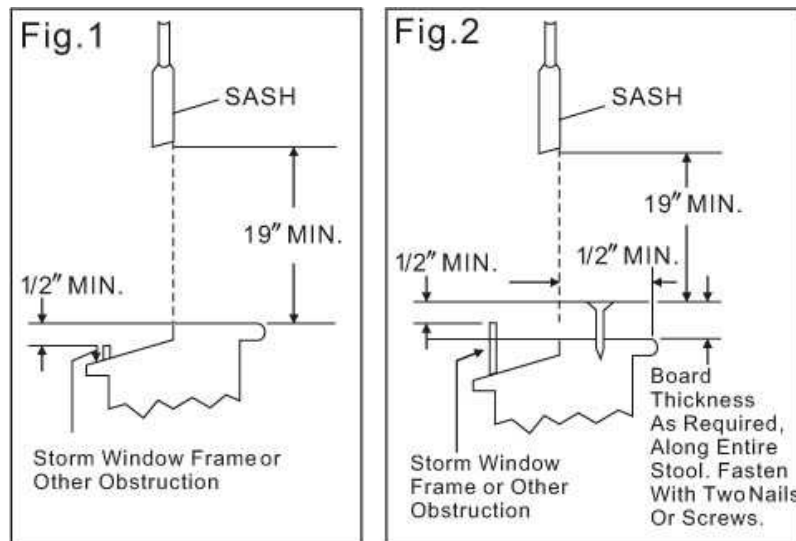
## PRELIMINARY INSTRUCTIONS – STORM WINDOW REQUIREMENTS

- Before installing, check the dimensions of your window to make sure the unit will fit. Refer to Table 1.
- Sides and rear of unit needs to be clear of obstacles to allow airflow through condenser.
- The rear of the unit must be outdoors, not inside a building or garage.
- Save carton and installation instructions for future reference. The carton is the best way to store unit during winter, or when not in use.
- Please read ALL instructions before installing.
- Two people are recommended to install this product.
- If a new electrical outlet is required, have the outlet installed by a qualified electrician before installing unit.

Table 1

Model	WA-1511S / WA-1811S	WA-2211S / WA-2511S
Minimum vertical opening	18.5 inches	19.5 inches
Minimum width	26.5 inches	31 inches
Maximum width	40.5 inches	42 inches

1. **Check window opening size** – the mounting parts furnished with this air conditioner are made to install in a wooden sill double-hung window. The standard parts are for window dimensions listed above. Open sash to a minimum of 19 inches (483mm). See Fig 1.
2. **Check condition of window** – all wood parts of window must be in good shape and be able to firmly hold the needed screws. If not, make repairs prior to installing unit.
3. **Check your storm window** – if your storm window frame does not provide the required clearance, correct by adding a piece of wood as shown in Fig. 2, or by removing storm window.
4. **Check for anything that could block airflow** – check area outside of window for possible obstructions, such as shrubs, trees or awnings. Inside, be sure furniture, drapes or blinds are away from air vents for proper airflow.
5. **Check the available electrical service** – Power supply must be the same as that shown on the unit's serial nameplate. Power cord is 48 inches long, be sure you have an outlet within reach.
6. **Carefully unpack air conditioner** – remove all packing material. Protect floor or carpet from damage. It is recommended to have two people moving and installing this unit.



**CAUTION:** When handling the unit, be cautious to avoid cuts from sharp metal edges and aluminum fins on front and rear coils.

# WINDOW MOUNTING

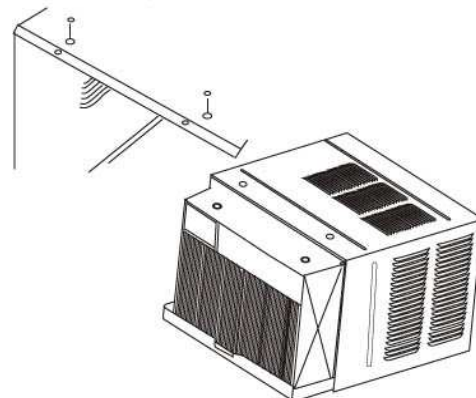
## ❶ REMOVE CHASIS



1. Pull down the front panel and remove filter. (Fig. 1)
2. Lift front panel upwards and place to one side.
3. Locate the four faceplate screws and remove. These screws will be re-installed later. (Fig. 2)



4. Gently pry the faceplate loose. (Fig. 3)
5. Some models may have a connector plug as shown – disconnect the plug. (Fig. 3A)

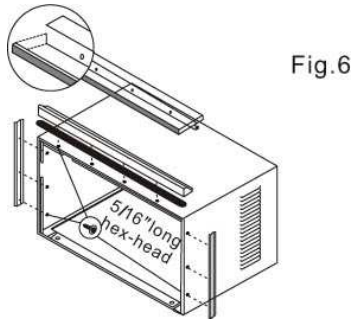


6. Pull faceplate away from cabinet and place to one side. (Fig. 4)
7. Remove shipping screws from top of unit and from the side of cabinet, by the base (if installed).
8. Hold the cabinet and pull gently on the base handle to carefully remove the unit.
9. Add two foam inserts to holes on top of cabinet, where shipping screws were removed.



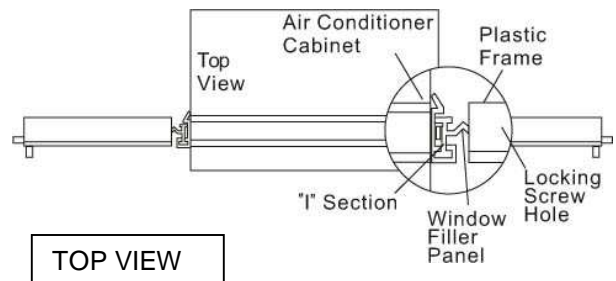
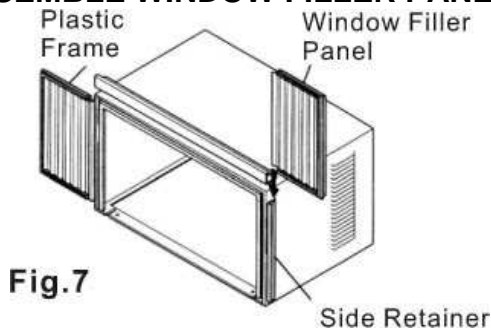
10. Your unit may come with internal packaging. These packaging materials must be removed before re-inserting the air conditioner back into cabinet. Fig. 5.

## 2 TOP ANGLE RAIL AND SIDE BRACKET INSTALLATION



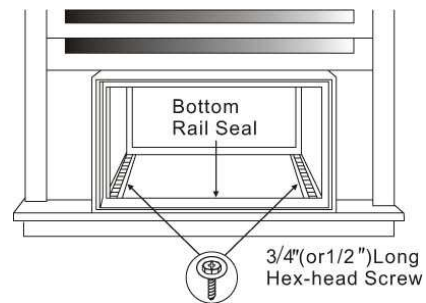
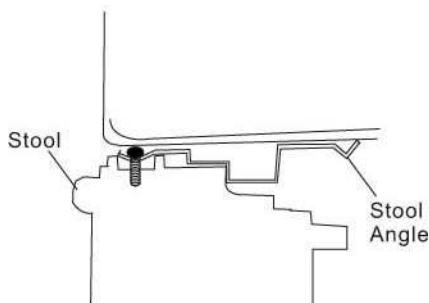
1. Place cabinet on a flat and sturdy surface.
2. Locate the foam gasket and top angle rail.
3. Attach foam gasket to top angle rail above holes as shown.
4. Install top angle and side retainers to cabinet as shown.

## 3 ASSEMBLE WINDOW FILLER PANELS



1. Slide the "I" section of window filler panel into the side retainer. (Fig. 7). Repeat for the other side.
2. Insert top and bottom legs of window filler panel frame into channel in the top angle and bottom rail. Do this for both sides.
3. Insert washer head locking screws (2) into holes in top leg of filler panel frame. Do not over tighten. Allow leg to slide freely. Screws will be tightened after step 6.

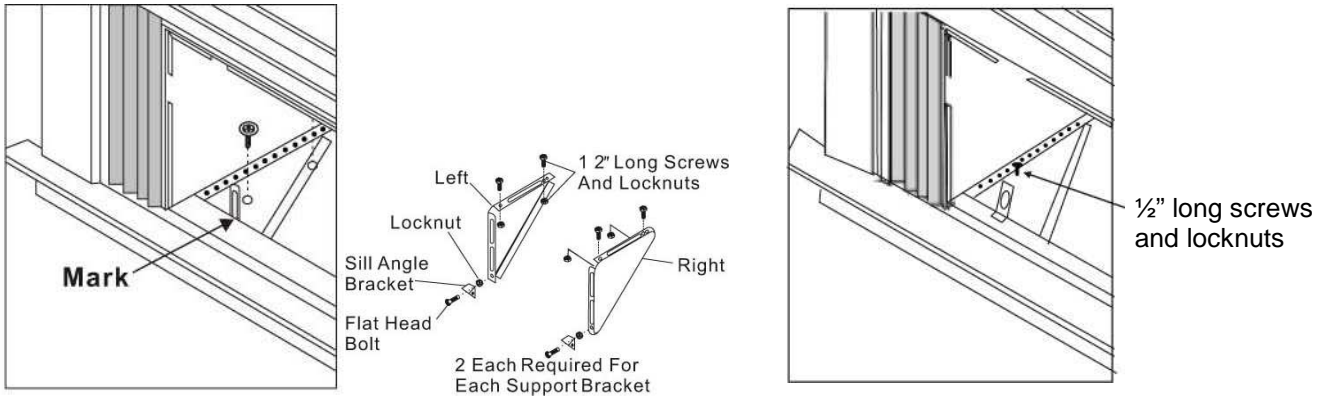
## 4 PLACING THE CABINET INSIDE WINDOW



1. Open window and mark the center of window stool.
2. Place cabinet in window with bottom stool angle firmly seated over window stool. Bring window down temporarily behind top angle to hold cabinet in place.
3. Shift cabinet left or right as needed to line up center of cabinet to the marked center line.
4. Fasten cabinet to window stool using two  $\frac{3}{4}$ " (or  $\frac{1}{2}$ ") Hex-head screws, pre-drill pilot holes if needed.
5. Add bottom rail seal over the screws

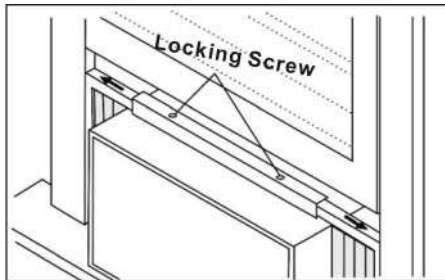


## ⑤ INSTALL SUPPORT BRACKETS



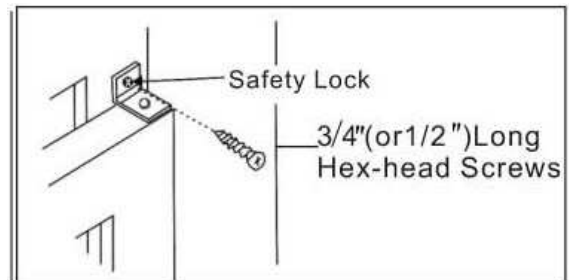
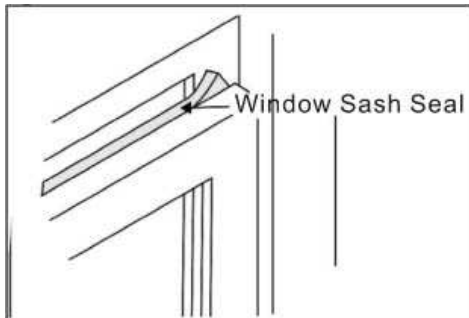
1. Hold each support bracket flush against the outside of window stool. Tighten each bracket to the bottom of cabinet. Mark brackets at top level of window stool and remove.
2. Assemble the sill angle brackets to support brackets at the marked positions. Hand tighten, do not over tighten, to allow for any changes later.
3. Install the support brackets (with sill angle brackets attached) to the bottom of cabinet.
4. Tighten all 6 bolts securely

## ⑥ EXTEND WINDOW FILLER PANELS



1. Carefully raise window to expose the filler panel and panel frame. Loosen the locking screws so filler panels slide easily.
2. Extend panels on each side to fill the width of the window. Tighten the locking screws on top.
3. Close window behind top angle.

## ⑦ INSTALL SASH SEAL AND WINDOW LOCK



1. Trim the sash seal to fit window width. Insert into space between upper and lower sashes.
2. Attach right-angled safety lock.

## ⑧ REPLACE CHASSIS AND FRONT PANEL

1. Carefully lift the air conditioner chassis and slide it into the cabinet. Front of air conditioner should hang out approximately 6 inches.
2. DO NOT push on the controls or finned coils.
3. Be sure chassis is firmly seated towards the rear of cabinet.
4. Insert all screws removed during window installation. Reattach the faceplate, front panel and air filter. Follow instructions outlined in Step 1, but in reversed order.

# THROUGH-THE-WALL INSTALLATION

**NOTE:** Consult local building codes prior to installation, or a qualified carpenter.

## 1 SELECT WALL LOCATION

This unit has a slide-out chassis, so that it can be installed through an outside wall as specified below.

Maximum wall thickness:

- WA-1511S and WA-1811S = 10"
- WA-2211S and WA-2511S = 12"

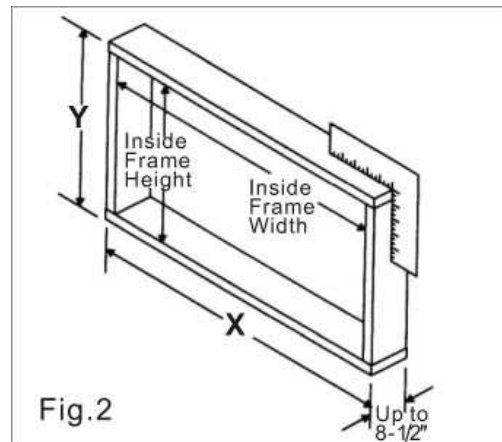
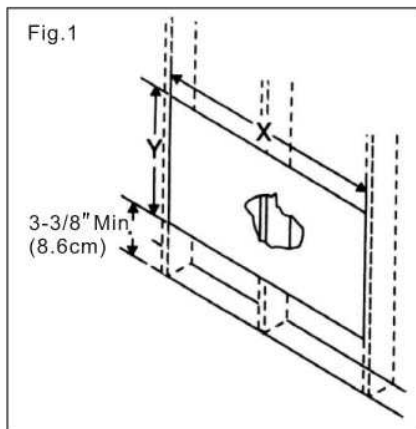
**IMPORTANT:** Side louvers must never be blocked.

**NOTE:** All parts needed for Through-the-Wall Installation are provided, for the exception of: wood frame, shims, and 10 wood screws (#10-1" long minimum).

Select a wall surface that:

1. Does not support any major structural loads, such as the frame construction at the end of windows and under truss-bearing point, etc.
2. Does not have plumbing or wiring inside.
3. Is near existing electrical outlets, or where an outlet will be installed.
4. Faces the area that needs to be cooled without any obstructions.
5. Allows unobstructed airflow on the outside (rear and sides).

## 2 PREPARE WALL



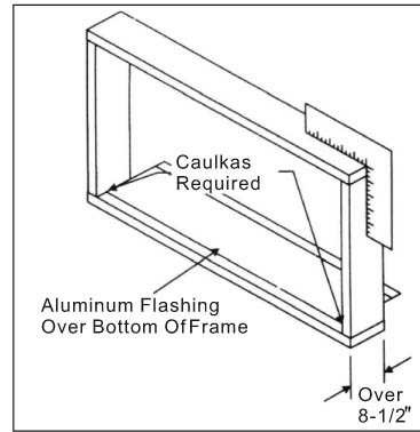
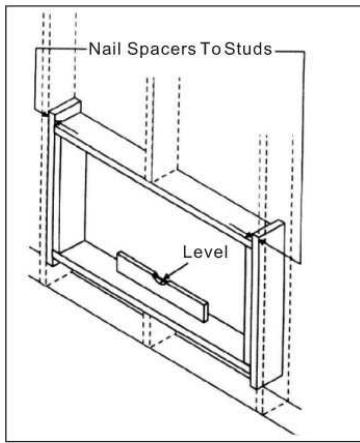
1. Prepare wall in frame construction (including brick and stucco veneer). Working from inside the room, find the wall stud that is nearest the center installation area.
2. Cut a hole on each side of center stud.
3. Measure between the inside edges of every other stud as shown in Fig. 1. Carefully measure and cut an opening with the following dimensions depending on your model:

WIDTH "X" = inside model width plus twice the thickness of framing material used.

HEIGHT "Y" = inside model height plus twice the thickness of framing material used.

	WA-1511S / WA-1811S	WA-2211S / WA-2511S
Inside Frame Height	18 inches (45.7 cm)	18 7/8 inches (47.9 cm)
Inside Frame Width	23 7/8 inches (60.6 cm)	26 3/4 inches (67.9 cm)

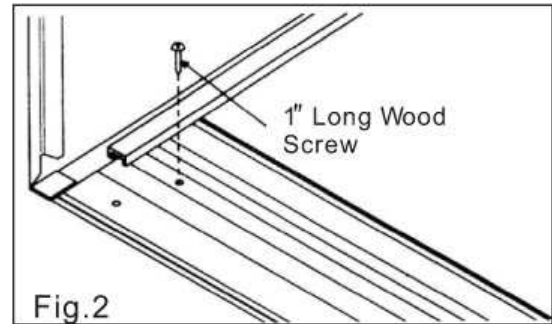
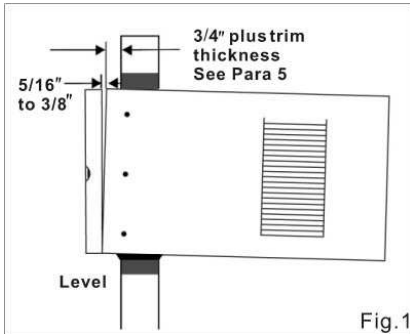




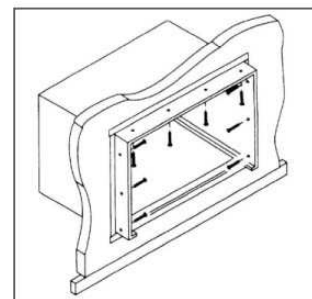
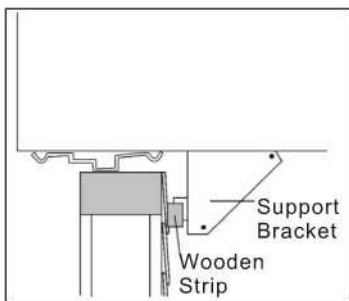
4. Build a wooden frame with the INSIDE dimensions of your model listed above. (Best to measure twice). Frame depth should be the same as wall thickness. Fill in extra space from the opening to the studs with wood spacers.
5. Nail the spacers to the studs, they should be flushed with the drywall.

**NOTE:** If wall thickness is 8.5" or more, add aluminum flashing over bottom of frame opening to assure water would not enter area between inner and outer wall.

### ③ PREPARE AND INSTALL CABINET



1. Remove chassis from cabinet. Refer back to Step 1 of Window Mounting.
2. Place cabinet into opening with bottom rail resting firmly on the bottom board of wooden frame.
3. Position cabinet to achieve proper slope for water removal (Fig. 1).
4. Using two 1" long wood screws, secure bottom rail to wood frame. (Fig. 2).



5. Refer to Step 5 of Window Mounting for assembly of support brackets. A wooden strip nailed to the outside wall should be used in conjunction with the sill angle brackets.
6. Screw or nail cabinet to wood frame using shims if the frame is oversized, to eliminate possible distortion. Remember to maintain proper slop for water drainage.
7. Replace chassis into cabinet by following the steps listed in Step 8 of Window Mounting.

**OPTIONAL:** Caulking and installation of trim on the interior wall may be done. Caulk openings around the top and sides of the cabinet and on all sides of wood sleeve to the opening.

**NOTE:** See Step 7 of Window Mounting for bottom rail seal location.

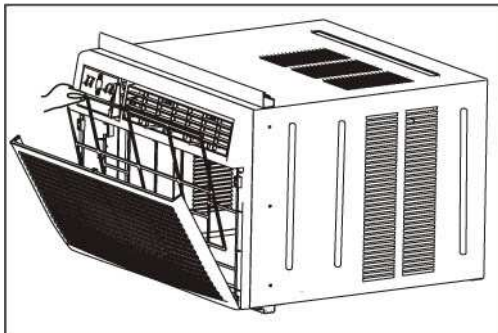
# MASONRY CONSTRUCTION

1. Cut or build a wall opening in the masonry wall similar to the frame construction (refer to Step 2 of Thru-the-wall Installation for a wall thickness greater than 8-1/2 ).
2. Secure the cabinet in place using masonry nails or masonry anchor screws. Another way to do this is to build an in-between frame of 2x4's as shown in Step 2 (Prepare Wall). It needs to be double framed on either side and installed between masonry wall opening and cabinet. Frame must be securely anchored to masonry wall opening. This method provides very good louver clearance on both sides.
3. Install a lintel to support masonry wall above cabinet. Existing holes in cabinet can be used and/or additional holes can be drilled to fasten cabinet at various points. Make sure the side louvers are clear of any obstructions.
4. Install exterior cabinet support brackets according to Step 2 of Through-the-Wall installation. Caulk or flash if needed, to provide a weather tight seal around the cabinet.
5. To complete installation, apply wood trim molding on the sides of the cabinet without obstruction the louvers.

# CARE AND CLEANING

## CAUTION

Clean your air conditioner occasionally to keep looking new.  
**Be sure to unplug the unit before cleaning to prevent chock or fire hazards.**



### Air Filter Cleaning

The air filter should be checked at least once a month to see if cleaning is needed. Trapped particles in the filter can build up and cause an accumulation of frost on the cooling coils.

- Adjust vent handle to the Vent Closed position.
- Open the front panel and remove filter.
- Wash the filter using liquid dishwashing detergent and warm water. Rinse filter thoroughly.
- Gently shake excess water from the filter. Be sure the filter is thoroughly dry before replacing.
- Instead of washing, you may also vacuum the filter clean.

**NOTE:** Never use hot water over 40°C (104°F) to clean the air filter. Never attempt to operate the unit without the air filter.

### Cabinet Cleaning

- Be sure to unplug the air conditioner to prevent shock or fire hazard. The cabinet and front panel may be dusted with an oil-free cloth or wiped with a cloth dampened in solution of warm water and mild dishwashing detergent. Then wipe clean and dry thoroughly.
- Never use harsh cleaners, wax or polish on the cabinet front.
- Be sure to wring excess water from the cloth before wiping around the controls. Excess water in or around the controls may cause damage to the air conditioner.

### Winter Storage

If you plan to store the air conditioner during the winter, remove it carefully from the window according to the installation instruction. Cover it with plastic or return it to the original carton.

# TROUBLESHOOTING TIPS

Before calling for service, review this list, it may save you time and expense. This list includes common occurrences that are not the result of defective workman-ship or materials in this appliance.

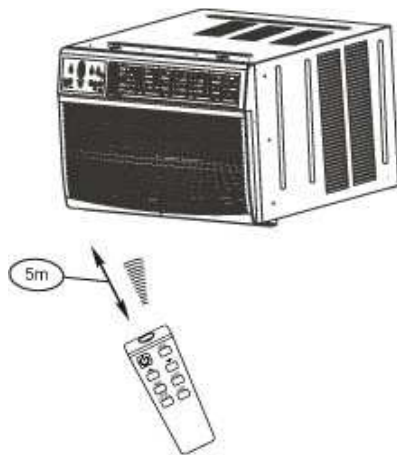
PROBLEM	SOLUTION
Air conditioner does not start	<ul style="list-style-type: none"> <li>▪ <i>Wall plug disconnected. Push plug firmly into wall outlet.</i></li> <li>▪ <i>House fuse blown or circuit breaker tripped. Replace fuse with time delay type or reset circuit breaker.</i></li> <li>▪ <i>Plug Current Device tripped, press the RESET button.</i></li> <li>▪ <i>Control is OFF, turn control ON and set to desired setting.</i></li> </ul>
Air from unit does not feel cold enough	<ul style="list-style-type: none"> <li>▪ <i>Room temperature below 17°C (62°F). Cooling may not occur until room temperature rises above 17°C (62°F).</i></li> <li>▪ <i>Temperature sensing element is touching the cooling coil, located behind air filter. Gently bend the element away from cooling coil</i></li> <li>▪ <i>Set temperature has been reached. Lower set temperature.</i></li> <li>▪ <i>Compressor shut-off due to mode change. Wait approximately 3 minutes and listen for compressor to restart in COOL mode.</i></li> </ul>
Air conditioner is cooling but room is still hot. Ice forming on cooling coil behind decorative front.	<ul style="list-style-type: none"> <li>▪ <i>Outdoor temperature below 18°C (64°F). To defrost coil, set to FAN only mode.</i></li> <li>▪ <i>Air filter may be dirty, clean filter. Refer to Care and Cleaning section.</i></li> <li>▪ <i>Thermostat set too cold for nighttime cooling, set a higher temperature.</i></li> <li>▪ <i>To defrost the coil, set to FAN only mode.</i></li> </ul>
Air conditioner is cooling, but room is still hot – NO ice forming on cooling coil behind decorative front.	<ul style="list-style-type: none"> <li>▪ <i>Air filter is dirty and restricting air flow. Clean the air filter.</i></li> <li>▪ <i>Temperature is set too high, set to a lower temperature setting.</i></li> <li>▪ <i>Air directional louvers positioned improperly. Adjust louvers for better air distribution.</i></li> <li>▪ <i>Front of unit is blocked and airflow restricted. Clear blockage such as drapes, blinds, furniture, etc.</i></li> <li>▪ <i>Doors or windows are open, allowing cold air to escape. Close doors/windows.</i></li> <li>▪ <i>Unit was just turned on in hot room, allow additional time to remove “stored heat”.</i></li> </ul>
Air conditioner turns on and off rapidly	<ul style="list-style-type: none"> <li>▪ <i>Dirty air filter restricting airflow. Clean air filter.</i></li> <li>▪ <i>Outside temperature extremely hot. Set FAN speed to a higher setting to bring air past cooling coils more rapidly.</i></li> </ul>
Noise when unit is cooling	<ul style="list-style-type: none"> <li>▪ <i>Sound of air movement – this is normal. If too loud, set to a lower FAN speed.</i></li> <li>▪ <i>Window vibration due to poor installation. Refer to installation guide or check with installer.</i></li> </ul>
Water dripping INSIDE when unit is cooling.	<ul style="list-style-type: none"> <li>▪ <i>Improper installation. Tilt air conditioner slightly towards the outside to allow water drainage. Refer to installation instructions or check with installer.</i></li> </ul>
Water dripping OUTSIDE when unit is cooling.	<ul style="list-style-type: none"> <li>▪ <i>Unit removing large quantity of moisture from humid room. This is normal during excessively humid days.</i></li> </ul>
Remote sensing deactivating prematurely	<ul style="list-style-type: none"> <li>▪ <i>Remote control is not within range. Place remote control within 20 feet and 180° radius to the front of unit.</i></li> <li>▪ <i>Remote control signal is obstructed. Remove obstruction.</i></li> </ul>
Room too cold	<ul style="list-style-type: none"> <li>▪ <i>Set temperature is too low, increase set temperature.</i></li> </ul>

# SPECIFICATIONS

MODEL	WA-1511S	WA-1811S	WA-2211S	WA-2511S
Energy Star	YES			
Cooling (BTU)	15,000	18,500	22,000	25,000
Dehumidify (pints/hr)	2.72	3.27	4.18	4.90
EER (BTU/H.W.)	10.7		9.4	
Power Input	115V~, 60Hz	230/208V~, 60Hz		
Amps	12.1	7.7/8.3	10.5/11.3	12/12.8
Watts	1400	1730/1700	2340/2298	2660/2627
Power Cord Length	6 ft			
NEMA Plug Type	#14/LCDI	AWG14x3/LCDI	#14/LCDI	AWG14x3/LCDI
Unit Dimension (W x D x H)	23.63 x 25.5 x 17.19 inches		26.5 x 25.5 x 18.63 inches	
Packing Dimension	26 x 29.94 x 19.69 inches		29.5 x 31.25 x 20.17 inches	
Net/Gross Weight	99 / 111 lbs	115 / 128 lbs	118 / 132 lbs	122 / 137 lbs
Window Width (Min / Max)	26.5 / 40.5 in.		31 / 42 in.	
Window Height (Min)	18.5 in.		19.5 in.	
Refrigeration	R410a			
Air Flow (M3/H) (H/M/L)	710/630/550	760/660/590	916/840/760	920/850/780
Noise (dB) (H/M/L)	59/56/52	59.5/56.6/52.9	61.4/59.5/55.9	62/59/56
Fan Speeds	3			
Dry Modes	YES			
Auto Mode	YES			
Energy Saver	YES			
Sleep Mode	YES			
Auto Restart	YES			
Filter Check	250 hours			
24hr On/Off Timer	YES			
Directional Louver	Left-Right / Up-Down			
Filter Access	Tilt-out			

# REMOTE CONTROL

## HANDLING THE REMOTE CONTROLLER



### Location of the remote controller

- Use the remote control within a distance of 5 meters (5.5 yards) from the appliance, pointing toward the receiver. Reception is confirmed by a beep.

### CAUTIONS

- The air conditioner will not operate if curtains, doors or other materials block the signals from the remote controller to the indoor unit.
- Prevent any liquid from falling into the remote controller. Do not expose the remote controller to direct sunlight or heat.
- If the infrared signal receiver on the indoor unit is exposed to direct sunlight, the air conditioner may not function properly. Use curtains to prevent the sunlight from falling on the receiver.
- If other electrical appliances react to the remote controller, either move these appliances or consult your local dealer.

## REPLACING BATTERIES

The remote controller is powered by two AAA batteries (not included) housed in the rear and protected by a cover.

- (1) Remove the cover by pressing and sliding off.
- (2) Remove old batteries and insert new batteries – placing the (+) and (-) ends correctly.
- (3) Replace cover by sliding it back into position.

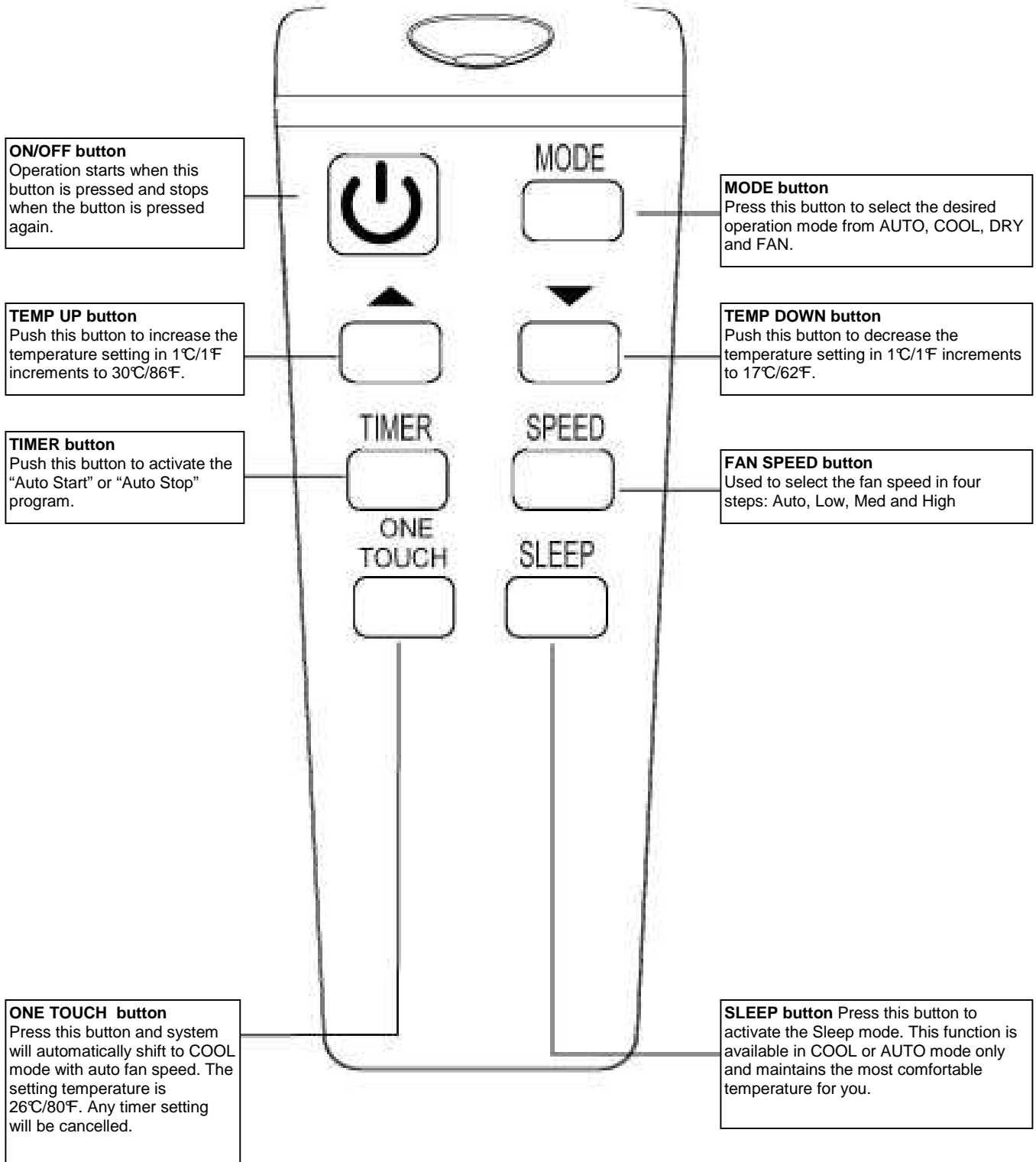
**NOTE:** When batteries are removed, all programming are erased. After inserting new batteries, the remote controller must be reprogrammed.

## REMOTE CONTROLLER SPECIFICATIONS

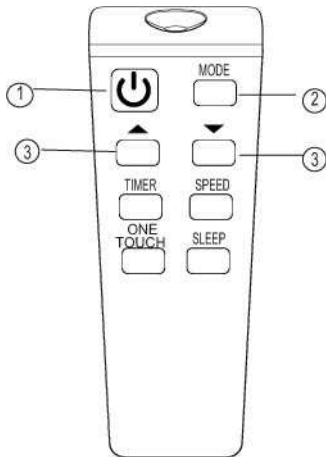
Rated Voltage	3.0V (Dry batteries Lr03x2)
Lowest Voltage of CPU Emitting Signal	2.4V
Signal Receiving Range	5m
Environment	-5°C ~ 60°C (23°F ~ 140°F)

**Note:** All illustrations are for explanation purposes only. The actual shape of remote may be slightly different.

# REMOTE FUNCTIONS



## USING THE REMOTE



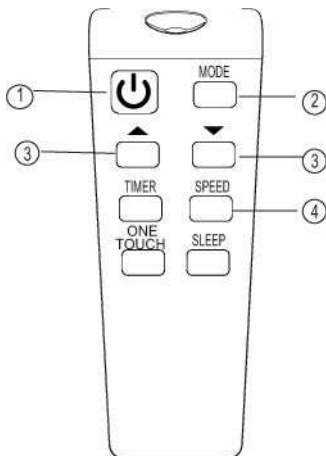
### Auto Operation

Ensure the unit is plugged in and power is available.

1. Press the ON/OFF button to start the air conditioner.
2. Press the MODE button to select AUTO.
3. Press the TEMP UP/DOWN button to set desired temperature. The temperature can be set within the range of 17~30°C/ 62~86°F in 1°C/1°F increments.

### NOTE

- In Auto mode, the unit will choose the operating mode (Cooling or Fan) by sensing the difference between actual ambient temperature and set temperature on the remote
- In Auto mode, fan speed cannot be changed.
- If the Auto mode is not comfortable for you, select desired mode and set temperature manually.



### Cooling and Fan Operation

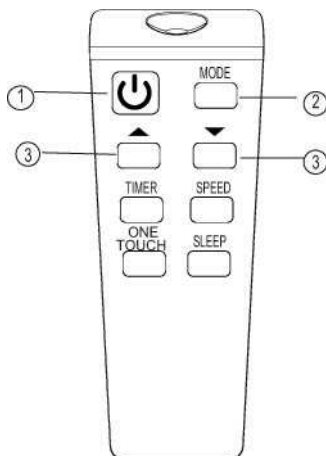
Ensure the unit is plugged in and power is available.

1. Press the ON/OFF button to start the air conditioner.
2. Press the MODE button to select COOL or FAN mode.
3. In COOL mode, press the TEMP UP/DOWN button to set desired temperature. Temperature can be set within the range of 17~30°C/62~86°F in 1°C/1°F increments.
4. Press FAN button to select fan speed in four steps: Auto, Low, Med, or High.

### NOTE

In Fan mode, temperature setting is not available, only steps 1, 2 and 4 may be performed.

**Please refer to page 6 for details on AUTO and COOL setting.**



### Dehumidifying Operation

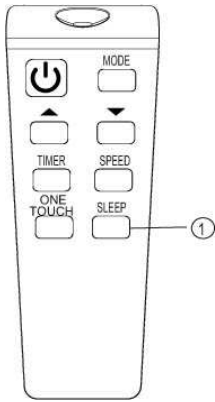
Ensure the unit is plugged in and power is available.

5. Press the ON/OFF button to start the air conditioner.
6. Press the MODE button to select DRY mode.
7. Press the TEMP UP/DOWN button to set desired temperature. Temperature can be set within the range of 17~30°C/ 62~86°F in 1°C/1°F increments.

### NOTE

In Dry mode, fan speed cannot be selected.



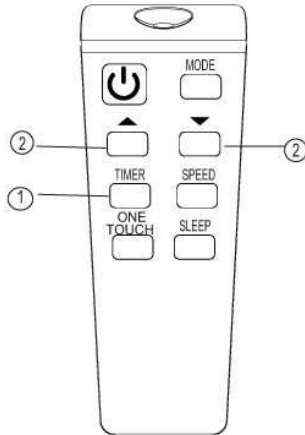


### Sleep Operation

1. Press this button to activate the Sleep mode. This function is available in COOL or AUTO modes only and will maintain the most comfortable temperature for you.
2. In this mode, unit will run at your set temperature for 30 minutes. After the initial 30 minutes, unit will increase set temperature by 1°C/2°F. After another 30 minutes, unit will again increase temperature by 1°C/2°F. Unit will then maintain this new temperature for 6 hours and return to original temperature setting. This ends the Sleep mode.

#### NOTE

Sleep mode is cancelled when any of these buttons are pressed: MODE, ON/OFF, FAN SPEED and SLEEP.



### Timer Operation

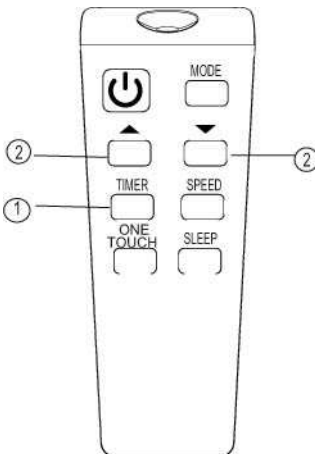
Press the TIMER button to initiate the Auto-Start or Auto-Off program.

Timer can be set up to 24 hours.

1. Press the TIMER button to program Timer-On or Timer-Off, the corresponding indicator will illuminate on unit's control panel.
2. Press or hold the UP/DOWN button to program time in 0.5 hour increments, up to 10 hours, then in 1 hour increments up to 24 hours. Control will count down the remaining time till start/stop.
3. The programmed time will register after 5 seconds and panel will revert back to displaying the previous temperature setting.
4. Turning the unit ON or OFF at any time will cancel programmed Timer.

#### NOTE

To cancel TIMER setting, press the TIMER button while pressing either UP or DOWN button until 0 hour is displayed.



### Combined Timer

You can program both Timer-On and Timer-Off simultaneously

#### AUTO OFF → AUTO START

This feature is useful when you want to stop the air conditioner after you go to bed and start it again in the morning or when you return home from work.

Example: To stop the air conditioner after 2 hours and start it again in 10 hours:

1. Press the TIMER button until the TIMER-OFF indicator is displayed on unit's control panel.
2. Use the UP/DOWN button to set "2.0" hours.
3. Press the TIMER button again until TIMER-ON is displayed on control panel.
4. Use the UP/DOWN button to set "10" hours.
5. Wait for 5 seconds for program to be registered and panel to revert back to previous display.

#### AUTO START → AUTO OFF

This feature is useful when you want to start the air conditioner before you wake up and stop it after you leave the house.

Example: To start the air conditioner in 5 hours and stop it after 8 hours:

1. Press the TIMER button until the TIMER-ON indicator is displayed on unit's control panel.
2. Use the UP/DOWN button to set "5.0" hours.
3. Press the TIMER button again until TIMER-OFF is displayed on control panel.
4. Use the UP/DOWN button to set "8" hours.

Wait for 5 seconds for program to be registered and panel to revert back to previous display.



## Your Guarantee

*If this product is found to be faulty as a result of faulty materials or workmanship within one year from date of purchase, it will be repaired free of charge.*

This guarantee is subject to the following terms:

- Sunpentown must be notified of the fault.
- Proof of purchase must be presented to Sunpentown's nominated representative.
- The warranty will be void if the product is modified, misused or repaired by an unauthorized person.
- The warranty after repair will not be extended beyond the original one-year period.
- All replacement parts will be new or reconditioned.
- Parts, which are replaced, become the property of Sunpentown.
- The warranty applies for the use of the product in the USA only.

### *What is NOT COVERED:*

- Warranty does not include freight charges.
- Incidental or consequential damage caused by possible defects with this product.
- Damage to product caused by improper power supply voltage, accident, fire, floods or acts of nature.
- Failure of product resulting from unauthorized modifications to the product.
- Improper installation or failure to perform the necessary maintenance.

This GUARANTEE is in addition to your Statutory Rights

**SUNPENTOWN INTERNATIONAL INC.**  
Tel: 800-330-0388  
14625 Clark Ave., City of Industry CA 91745  
service@sunpentown.com  
[www.sunpentown.com](http://www.sunpentown.com)