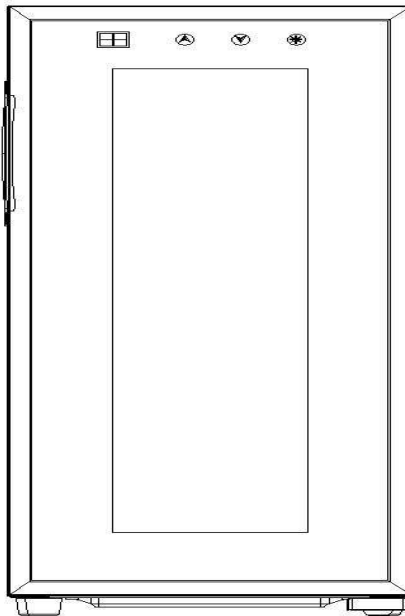




Wine Cooler with Thermo-Electric Cooling & Heating Technology

Model number:

WC-0888H (8-bottles capacity)



Instruction Manual

Please read carefully and follow all safety rules and operating
instructions.

Index

| | | |
|--------------|--------------------------------------|----------|
| I. | Important safety instructions | 1 |
| II. | Technical data | 1 |
| III. | Illustrated Structure | 2 |
| IV. | Electric Diagram | 2 |
| V. | Installation instruction | 3 |
| VI. | Electrical connection | 3 |
| VII. | Operating your wine cooler | 4 |
| VIII. | Care and maintenance | 4 |
| IX. | Troubleshooting | 5 |
| X. | Safety and important notice | 5 |
| XI. | Disposal | 5 |
| | Warranty | 6 |

I. Important Safety Instructions

⚡ WARNING ⚡

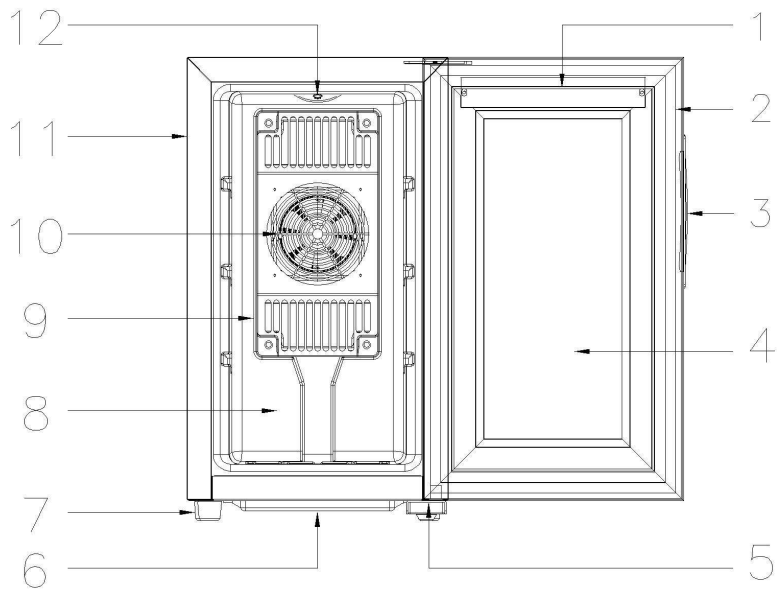
To reduce the risk of fire, electrical shock, or injury when using your appliance, follows these basic precautions.

- Read all instructions before using the wine refrigerator.
- **DANGER** or **WARNING**: risk of child entrapment.
- Junked or abandoned appliances can be a dangerous entrapment.
- **Before you throw away your old wine refrigerator**: remove the door and leave the shelves in place so that children may not climb in.
- Never allow children to operate, play with, or crawl inside the appliance.
- Never clean appliance with flammable fluids. The fumes can create a fire hazard or explosion.
- Do not store or use gasoline or any other flammable vapors and liquids in the vicinity of this or any other appliance. The fumes can create a fire hazard or explosion.
- Do not store food in wine refrigerator, as interior temperature may not get cold enough to prevent spoilage.
- This appliance is not intended for use by persons (including children) with reduced physical sensory or mental capabilities, or lack of experience and knowledge, unless they are being supervised or been given instruction concerning the use of the appliance by a person responsible for their safety.
- Children should be supervised to ensure that they do not play with the appliance.

II. Technical Data

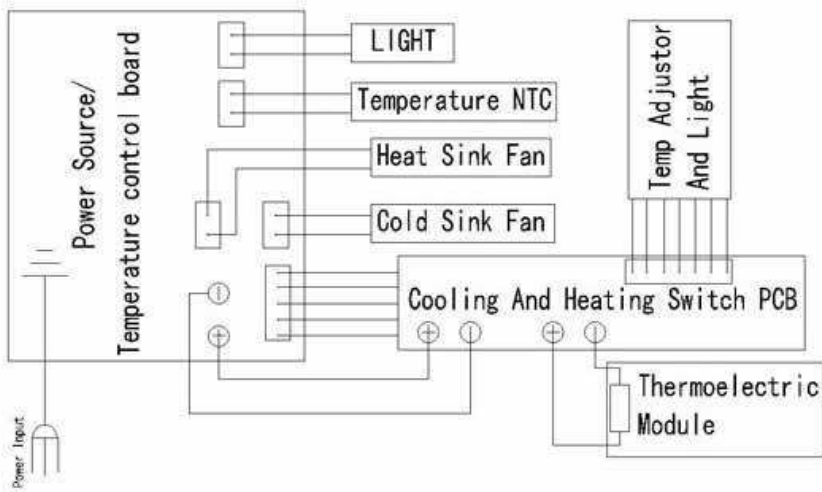
| | |
|------------------------------|--------------------------|
| Model no. | WC-0888H |
| Capacity | 8 Standard Bottles (23L) |
| Voltage | 120V / 60Hz |
| Current | 1A (77°F) |
| Protection class | I |
| Climate class | SN;N |
| Input power | 70W |
| Power Consumption (KW.h/24h) | 0.55 (59°F) |
| Max working temperature | 89°F |
| Max Temperature Difference | 35°F |
| Temperature Control Range | 45-64°F |
| Net weight | 21 lbs |
| Gross weight | 24 lbs |
| Shape size (W x D x H) | 10 x20.5 x 17.7 in. |
| Packing size(W x D x H) | 12.3 x 22.5 x 20.6 in. |

III. Illustrated structure



- | | | | |
|----------------|----------------------|-------------|--------------|
| 1. PCB Bracket | 4. Glass | 7. Foot | 10. Cold Fan |
| 2. Door Seal | 5. Lower Hinge Cover | 8. Interior | 11. Cabinet |
| 3. Handle | 6. Water Tray | 9. Fan Mask | 12. Light |

IV. Electric Diagram



V. Installation Instructions

Before using your wine refrigerator

- Remove all exterior and interior packing materials.
- Check to be sure the following parts are included:
 - 3 slide out shelves
 - 1 Instruction manual.
- Before connecting the appliance to the power source, let it stand upright for approximately 2 hours. This will reduce the possibility of a malfunction in the cooling system from handling during transportation.
- Clean the interior surface with lukewarm water using a soft cloth.
- Place your appliance on a floor that is strong enough to support the appliance when it is fully loaded. To level your appliance, adjust the front legs at the bottom of the appliance.
- Place unit away from direct sunlight and sources of heat (stove, heater, radiator, etc.). Direct sunlight may affect the acrylic coating and heat sources may increase electrical consumption. Extreme cold or hot temperatures may cause the appliance to not perform properly.
- Not recommended for use in garage or basement.
- The appliance is for indoor use only.

Caution: Please keep the appliance away from flammable substances, which can cause ignition.

VI. Electrical Connection

WARNING

Improper use of the ground plug can result in the risk of electrical shock. If the power cord is damaged, have it replaced by an authorized service center.

- This unit should be properly grounded for your safety. The power cord of this unit is equipped with a 3-prong plug which mates with 3-prong wall outlets to minimize the possibility of electrical shock. Do not under any circumstances cut or remove the ground plug.
- Use of extension cords is not recommended.
- This unit requires a standard 120V-60HZ electrical outlet with 3-prong plug.
- The cord should be secured behind the wine refrigerator and not let exposed or dangling to prevent accidental injury.

VII. Operating Your Wine Refrigerator

Control panel

There are three touch-buttons on the control panel:

- “▲” and “▼” increases or decreases the set temperature by 1°F (temp range is 45-64°F).
- “Light” button turns on or off the interior light.

Note:

- This unit is designed for indoor use, best when ambient temperature is around the mid-70’s.
- Placing the unit in extreme cold or hot conditions may cause interior temperature to fluctuate and the range of 50-60°F may not be reached.
- The number of bottles placed, location (upper, middle or lower section) and if the interior light is on may also cause the interior temperature to fluctuate.
- When the ambient temperature is 77°F or higher, unit is capable of maintaining a set temperature in the low-50’s.
- When the ambient temperature around 70°F, unit can maintain a temperature in the high-40’s.
- This unit is equipped with heating element. Should the ambient temperature fall below set temperature, unit will heat to maintain set temperature.

VIII. Care And Maintenance

Cleaning your wine refrigerator

- Unplug the wine refrigerator and remove any bottles.
- Wipe the inside with a cloth soaked in warm water and baking soda solution. (2 tablespoons of baking soda to 1 quart of water).
- Wipe the exterior with a soft damp cloth. If excessively dirty, clean with mild detergent and warm water.
- Remove water tray. This can be wash under running water.

Moving your wine refrigerator

- Remove all bottles.
- Remove or securely tape down shelves and any loose items inside the unit.
- Turn the leveling legs up to the base to avoid damage.
- Tape the door.
- Be sure the wine refrigerator stays in the upright position during transportation.

IX. Troubleshooting

You can solve many common wine refrigerator problems easily. Try the suggestions below to see if you can solve the problem before calling service center.

| PROBLEM | POSSIBLE CAUSE |
|---|---|
| Wine refrigerator do not operate. | Not plugged in. The circuit breaker tripped or a blown fuse. |
| Wine refrigerator is not cold enough. | Check the temperature control setting. External environment may require a higher setting. The door is opened too frequently. The door is not closed completely. The door gasket does not seal properly. |
| The light does not work. | Not plugged in. The circuit breaker tripped or a blown fuse. The bulb has burned out. |
| Vibrations. | Check to assure that the wine refrigerator is level. |
| The wine refrigerator seems to make to much noise | The wine refrigerator is not level. Check the fan. |
| The door will not close properly. | The wine refrigerator is not level. The door was reversed and not properly installed. The seal is weak. Shelves are out of position. |
| LED could not display. | Contact Sunpentown |
| LED display error. | Contact Sunpentown |

X. Service & Important Notice

- This appliance is designed for use in the “N” and “SN” climate only.
- Upon receipt and inspection of the unit, if the supply cord is damaged, DO NOT connect power. Contact Sunpentown immediately.
- WARNING: Do not allow children to play with the unit. Do not let children operate the unit without adult supervision.

XI. Disposal

- Please remove the door before you dispose your wine refrigerator.
- Do not dispose this product as unsorted municipal waste. Collection of such waste separately for special treatment is necessary.





Your Guarantee

If this product is found to be faulty as a result of faulty materials or workmanship within one year from date of purchase, it will be repaired free of charge.

This guarantee is subject to the following terms:

- Sunpentown must be notified of the fault.
- Proof of purchase must be presented to Sunpentown's nominated representative.
- The warranty will be void if the product is modified, misused or repaired by an unauthorized person.
- The warranty after repair will not be extended beyond the original one-year period.
- All replacement parts will be new or reconditioned.
- Parts, which are replaced, become the property of Sunpentown.
- The warranty applies for the use of the product in the USA only.

What is NOT COVERED:

- Warranty does not include freight charges.
- Incidental or consequential damage caused by possible defects with this product.
- Damage to product caused by improper power supply voltage, accident, fire, floods or acts of nature.
- Failure of product resulting from unauthorized modifications to the product.
- Improper installation or failure to perform the necessary maintenance.

This GUARANTEE is in addition to your Statutory Rights

SUNPENTOWN INTERNATIONAL INC.

Tel: 1-800-330-0388

service@sunpentown.com

www.sunpentown.com