

Tempra. 12 B, Tempra. 15 B, Tempra. 20 B, Tempra. 24 B

Tempra. 12 Plus, Tempra. 15 Plus, Tempra. 20 Plus,
Tempra. 24 Plus, Tempra. 29 Plus, Tempra. 36 Plus

English

TANKLESS ELECTRIC WATER HEATERS INSTALLATION INSTRUCTIONS FOR THE LICENSED PLUMBER AND ELECTRICIAN

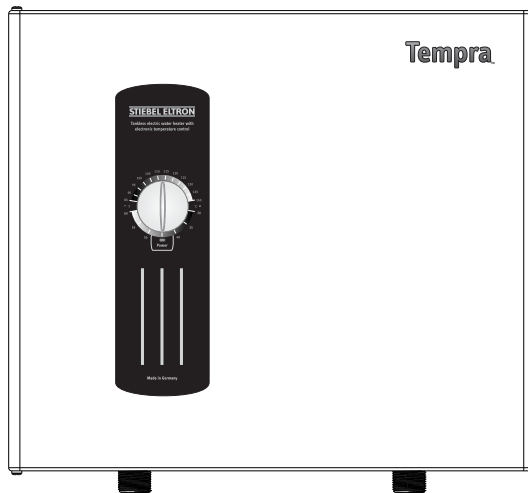
Español

CALENTADORES DE AGUA SIN TANQUE INSTRUCCIONES PARA LA INSTALACIÓN POR UN PLOMERO Y ELECTRICISTA AUTO- RIZADO

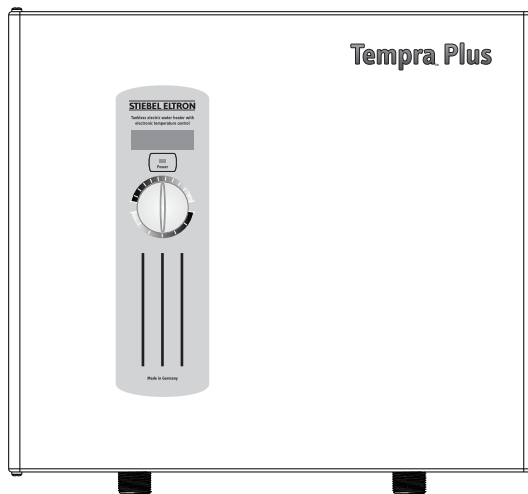
Français

CHAUFFE-EAU INSTANTANÉS ÉLECTRIQUES INSTRUCTIONS DE MONTAGE POUR PLOMBIERS ET ÉLECTRICIENS AGRÉÉS

TEMPRA 12 - 24 B



TEMPRA 12 - 36 Plus



English Table of contents

S1 Safety precautions	2
1 Table showing temperature increase above ambient water temperature	3
2 General	7
3 Mounting the unit	7
4 Water connections	7
5 Electrical connection	8
6 Initial settings	8
7 Putting the water heater into operation	8
8 Normal maintenance	8
9 Technical Data	9
10 Troubleshooting	9
11 Spare parts	10
12 Warranty	31

Español Índice de materias

S1 Safety precautions	12
1 Aumento máximo de temperatura del agua fría entrante	13
2 Generalidades	17
3 Montaje de la unidad	17
4 Conexiones de agua	18
5 Conexión eléctrica	18
6 Ajustes iniciales	18
7 Puesta en servicio del calentador de agua	18
8 Mantenimiento normal	18
9 Datos técnicos	19
10 Solución de problemas	19
11 Repuestos	20
12 Garantía	31

Français Sommaire

S1 Mesures de sécurité	21
1 Tableau indiquant montée en température au-dessus de la température d'eau ambiante	22
2 Généralités	26
3 Montage de l'appareil	26
4 Raccords d'eau	27
5 Raccordement électrique	27
6 Premiers réglages	27
7 Mise en service du chauffe-eau	27
8 Entretien de routine	27
9 Caractéristiques techniques	28
10 Dépannage	28
11 Pièces de rechange	29
12 Garantie	31

General Information

Read this entire manual. Failure to follow all the guides, instructions and rules could cause personal injury or property damage. Improper installation, adjustment, alteration, service and use of this unit can result in serious injury.

This unit must be installed by a licensed electrician and plumber. The installation must comply with all national, state and local plumbing and electric codes. Proper installation is the responsibility of the installer. Failure to comply with the installation and operating instructions or improper use voids the warranty.

Save these instructions for future reference. Installer should leave these instructions with the consumer.

If you have any questions regarding the installation, use or operation of this water heater, or if you need any additional installation manuals, please call our technical service line at 800-582-8423 (USA and Canada only). If you are calling from outside the USA or Canada, please call USA 413-247-3380 and we will refer you to a qualified Stiebel Eltron service representative in your area.



THIS IS THE SAFETY ALERT SYMBOL. IT IS USED TO ALERT YOU TO POTENTIAL PERSONAL INJURY HAZARD. OBEY ALL SAFETY MESSAGES THAT FOLLOW THIS SYMBOL TO AVOID POSSIBLE INJURY OR DEATH.

S1 Safety Precautions



PLEASE READ AND FOLLOW THESE INSTRUCTIONS. FAILURE TO FOLLOW THESE INSTRUCTIONS COULD RESULT IN SERIOUS BODILY INJURY OR DEATH.

THE UNIT MUST BE INSTALLED BY A LICENSED ELECTRICIAN AND PLUMBER. THE INSTALLATION MUST COMPLY WITH ALL NATIONAL, STATE AND LOCAL PLUMBING AND ELECTRIC CODES.

SERVICE OF THE UNIT MUST BE PERFORMED BY QUALIFIED SERVICE TECHNICIANS.

BEFORE PROCEEDING WITH ANY INSTALLATION, ADJUSTMENT, ALTERATION, OR SERVICE OF THIS UNIT ALL CIRCUIT BREAKERS AND DISCONNECT SWITCHES SERVICING THE UNIT MUST BE TURNED OFF. FAILURE TO DO SO COULD RESULT IN SERIOUS PERSONAL INJURY OR DEATH.

NEVER REMOVE THE UNIT'S COVER UNLESS THE ELECTRICITY SERVICING THE UNIT IS TURNED OFF. FAILURE TO DO SO COULD RESULT IN PERSONAL INJURY OR DEATH.

THE UNIT MUST BE PROPERLY GROUNDED. FAILURE TO ELECTRICALLY GROUND THE PRODUCT COULD RESULT IN SERIOUS PERSONAL INJURY OR DEATH.

DANGER: WATER TEMPERATURES OVER 125°F CAN CAUSE SEVERE BURNS INSTANTLY OR DEATH FROM SCALDING. A HOT WATER SCALDING POTENTIAL EXISTS IF THE THERMOSTAT ON THE UNIT IS SET TOO HIGH. HOUSEHOLDS WITH SMALL CHILDREN, DISABLED OR ELDERLY PERSONS MAY REQUIRE THAT THE THERMOSTAT BE SET AT 120°F OR LOWER TO PREVENT POSSIBLE INJURY FROM HOT WATER.

1 Table showing temperature increase above ambient water temperature**Maximum temperature increase above ambient water temperature Legend to figures**

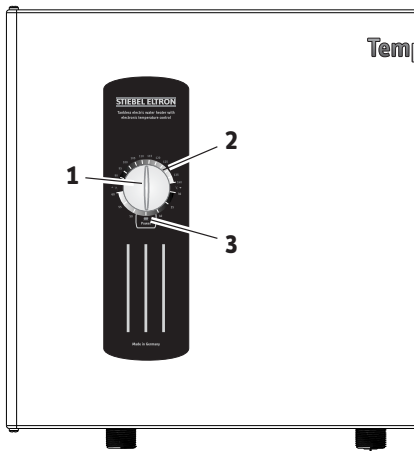
Warm water flow rate			GPM						l/min					
Warm water outlet temperature			105 °F						40 °C					
Cold water inlet temperature			°F						°C					
			39	59	77	95	113	131	4	15	25	35	45	55
TEMPRA 12 B / TEMPRA 12 Plus	@ 208 V	9 kW	0,95	1,36	2,27	6,61			3,58	5,16	8,59	25,00		
	@ 220 - 240 V	12 kW	1,26	1,82	3,03	6,61			4,77	6,87	11,46	25,00		
TEMPRA 15 B / TEMPRA 15 Plus	@ 208 V	10,8 kW	1,14	1,63	2,72	6,61			4,30	6,19	10,31	25,00		
	@ 220 - 240 V	14,4 kW	1,51	2,18	3,63	6,61			5,73	8,25	13,75	25,00		
TEMPRA 20 B / TEMPRA 20 Plus	@ 208 V	14,4 kW	1,51	2,18	3,63	6,61			5,73	8,25	13,75	25,00		
	@ 220 - 240 V	19,2 kW	2,02	2,91	4,84	6,61			7,64	11,00	18,33	25,00		
TEMPRA 24 B / TEMPRA 24 Plus	@ 208 V	18 kW	1,89	2,72	4,54	6,61			7,16	10,31	17,18	25,00		
	@ 220 - 240 V	24 kW	2,52	3,63	6,05	6,61			9,55	13,75	22,91	25,00		
TEMPRA 29 Plus	@ 208 V	21,6 kW	2,27	3,27	5,45	6,61			8,59	12,37	20,62	25,00		
	@ 220 - 240 V	28,8 kW	3,03	4,36	6,61	6,61			11,46	16,50	25,00	25,00		
TEMPRA 36 Plus	@ 208 V	27 kW	2,84	4,09	6,61	6,61			10,74	15,47	25,00	25,00		
	@ 220 - 240 V	36 kW	3,78	5,45	6,61	6,61			14,32	20,62	25,00	25,00		

Warm water outlet temperature			113 °F						45 °C					
Cold water inlet temperature			°F						°C					
			39	59	77	95	113	131	4	15	25	35	45	55
TEMPRA 12 B / TEMPRA 12 Plus	@ 208 V	9 kW	0,83	1,14	1,70	3,41	6,61		3,14	4,30	6,44	12,89	25,00	
	@ 220 - 240 V	12 kW	1,11	1,51	2,27	4,54	6,61		4,19	5,73	8,59	17,18	25,00	
TEMPRA 15 B / TEMPRA 15 Plus	@ 208 V	10,8 kW	1,00	1,36	2,04	4,09	6,61		3,77	5,16	7,73	15,47	25,00	
	@ 220 - 240 V	14,4 kW	1,33	1,82	2,72	5,45	6,61		5,03	6,87	10,31	20,62	25,00	
TEMPRA 20 B / TEMPRA 20 Plus	@ 208 V	14,4 kW	1,33	1,82	2,72	5,45	6,61		5,03	6,87	10,31	20,62	25,00	
	@ 220 - 240 V	19,2 kW	1,77	2,42	3,63	6,61	6,61		6,71	9,16	13,75	25,00	25,00	
TEMPRA 24 B / TEMPRA 24 Plus	@ 208 V	18 kW	1,66	2,27	3,41	6,61	6,61		6,29	8,59	12,89	25,00	25,00	
	@ 220 - 240 V	24 kW	2,21	3,03	4,54	6,61	6,61		8,38	11,46	17,18	25,00	25,00	
TEMPRA 29 Plus	@ 208 V	21,6 kW	1,99	2,72	4,09	6,61	6,61		7,54	10,31	15,47	25,00	25,00	
	@ 220 - 240 V	28,8 kW	2,66	3,63	5,45	6,61	6,61		10,06	13,75	20,62	25,00	25,00	
TEMPRA 36 Plus	@ 208 V	27 kW	2,49	3,41	5,11	6,61	6,61		9,43	12,89	19,33	25,00	25,00	
	@ 220 - 240 V	36 kW	3,32	4,54	6,61	6,61	6,61		12,57	17,18	25,00	25,00	25,00	

Warm water outlet temperature			140 °F						60 °C					
Cold water inlet temperature			°F						°C					
			39	59	77	95	113	131	4	15	25	35	45	55
TEMPRA 12 B / TEMPRA 12 Plus	@ 208 V	9 kW	0,61	0,76	0,97	1,36	2,27	6,61	2,30	2,86	3,68	5,16	8,59	25,00
	@ 220 - 240 V	12 kW	0,81	1,01	1,30	1,82	3,03	6,61	3,07	3,82	4,91	6,87	11,46	25,00
TEMPRA 15 B / TEMPRA 15 Plus	@ 208 V	10,8 kW	0,73	0,91	1,17	1,63	2,72	6,61	2,76	3,44	4,42	6,19	10,31	25,00
	@ 220 - 240 V	14,4 kW	0,97	1,21	1,56	2,18	3,63	6,61	3,68	4,58	5,89	8,25	13,75	25,00
TEMPRA 20 B / TEMPRA 20 Plus	@ 208 V	14,4 kW	0,97	1,21	1,56	2,18	3,63	6,61	3,68	4,58	5,89	8,25	13,75	25,00
	@ 220 - 240 V	19,2 kW	1,30	1,61	2,08	2,91	4,84	6,61	4,91	6,11	7,86	11,00	18,33	25,00
TEMPRA 24 B / TEMPRA 24 Plus	@ 208 V	18 kW	1,22	1,51	1,95	2,72	4,54	6,61	4,60	5,73	7,36	10,31	17,18	25,00
	@ 220 - 240 V	24 kW	1,62	2,02	2,59	3,63	6,05	6,61	6,14	7,64	9,82	13,75	22,91	25,00
TEMPRA 29 Plus	@ 208 V	21,6 kW	1,46	1,82	2,33	3,27	5,45	6,61	5,52	6,87	8,84	12,37	20,62	25,00
	@ 220 - 240 V	28,8 kW	1,95	2,42	3,11	4,36	6,61	6,61	7,36	9,16	11,78	16,50	25,00	25,00
TEMPRA 36 Plus	@ 208 V	27 kW	1,82	2,27	2,92	4,09	6,61	6,61	6,90	8,59	11,05	15,47	25,00	25,00
	@ 220 - 240 V	36 kW	2,43	3,03	3,89	5,45	6,61	6,61	9,21	11,46	14,73	20,62	25,00	25,00

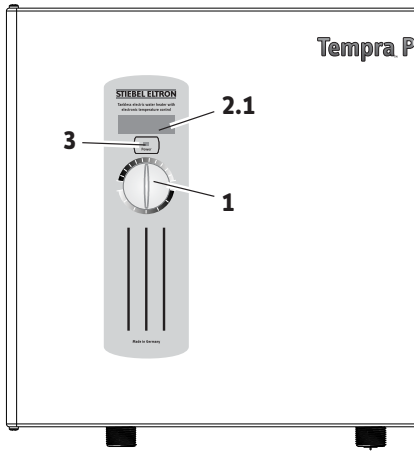
A

TEMPRA 12 - 24 B

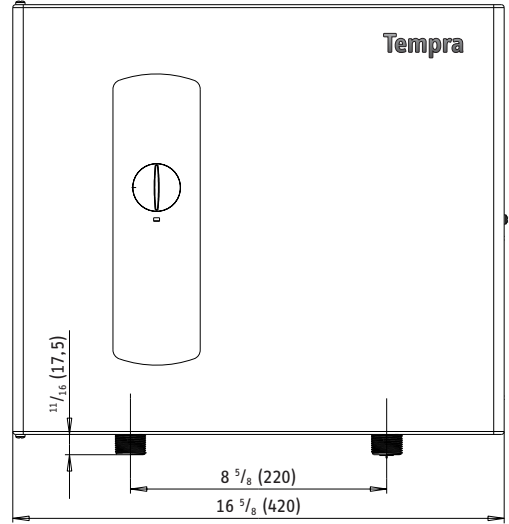
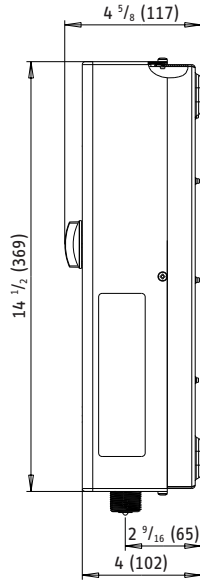
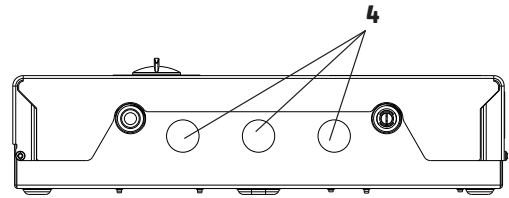


Temp

TEMPRA 12 - 36 Plus



Tempra F

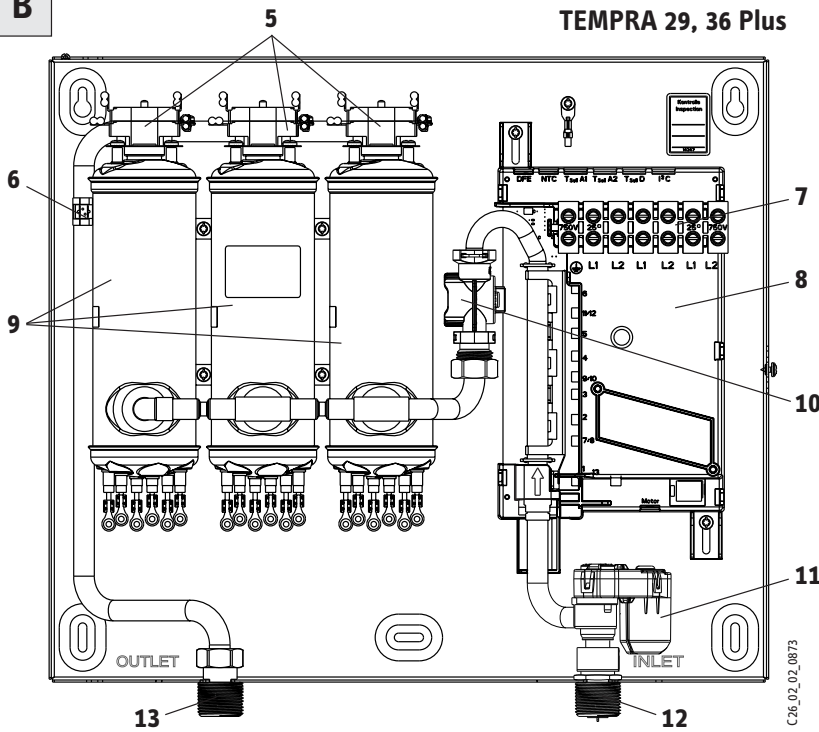


C36_02_02_0875

C36_02_02_0874

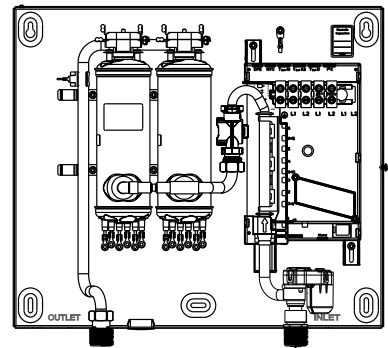
B

TEMPRA 29, 36 Plus



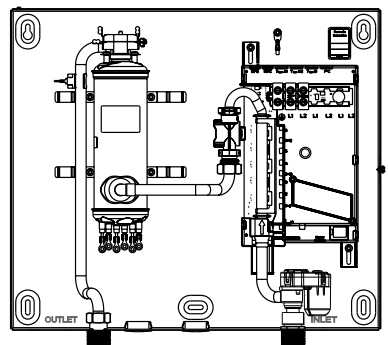
C36_02_02_0873

**TEMPRA 15, 20, 24 B
TEMPRA 15, 20, 24 Plus**

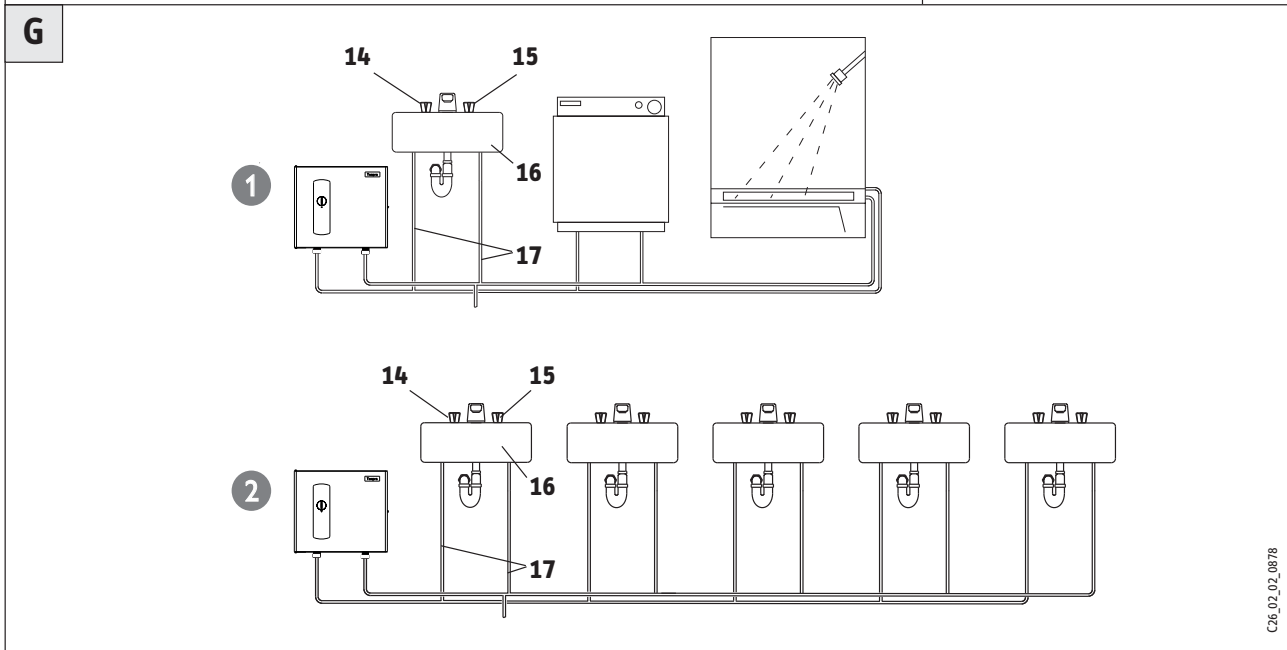
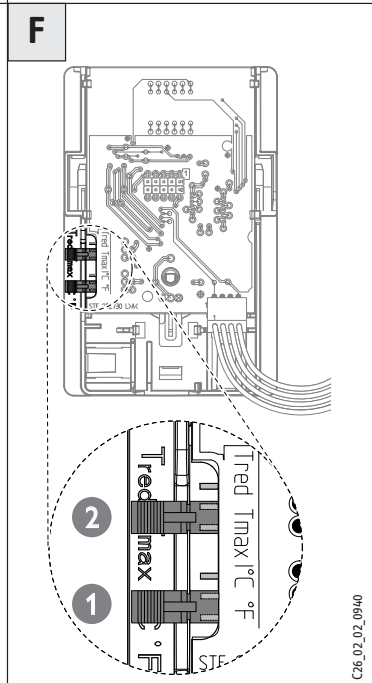
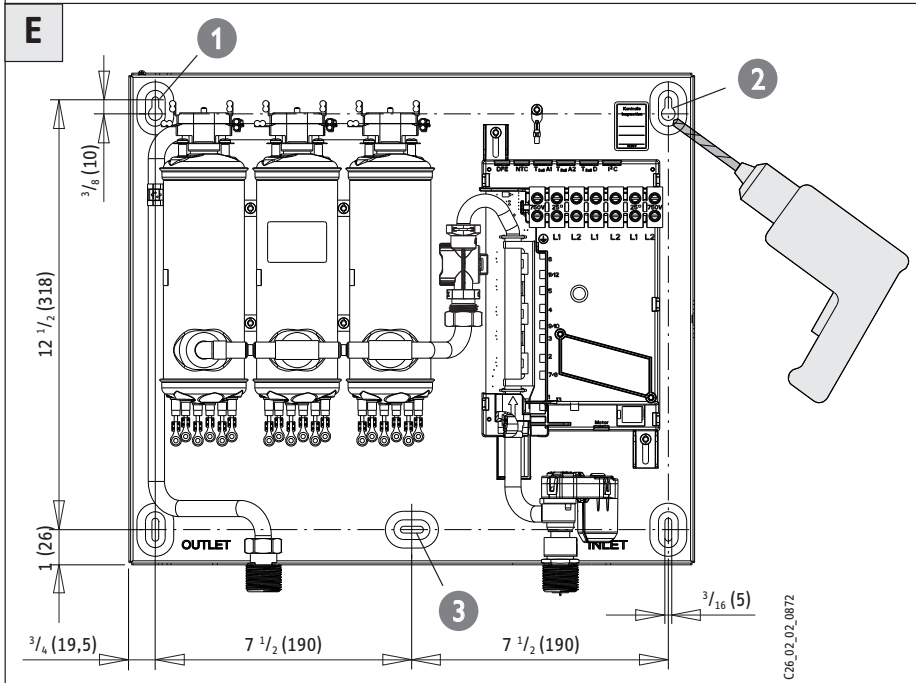
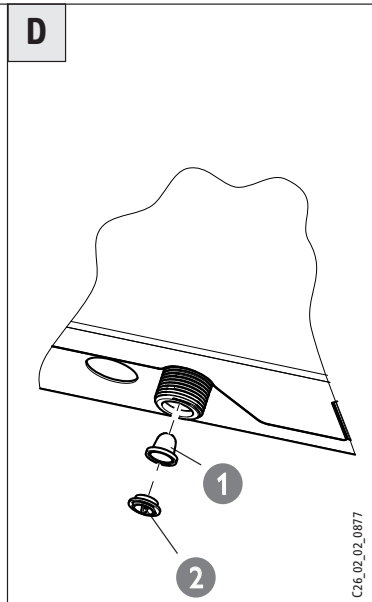
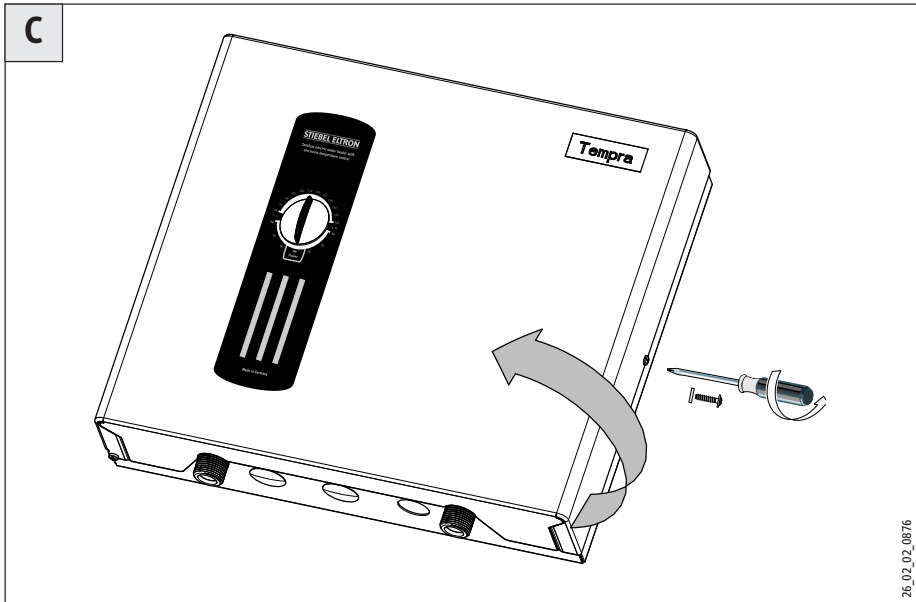


C36_02_02_0873

TEMPRA 12 B/TEMPRA 12 Plus



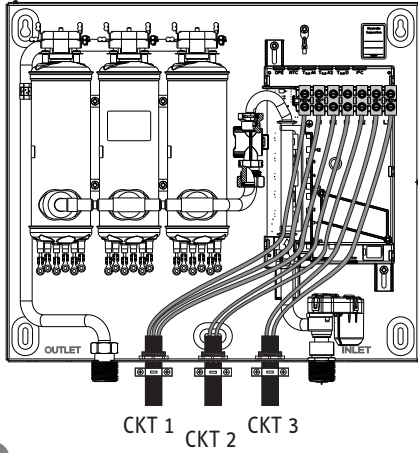
C36_02_02_0873



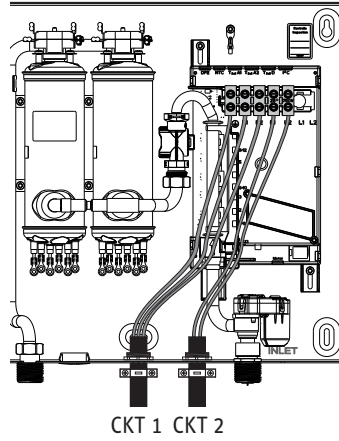
H

TEMPRA 29, 36 Plus

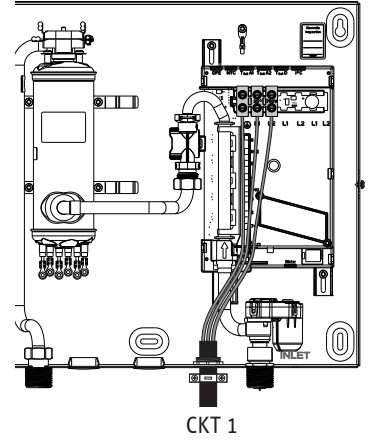
1



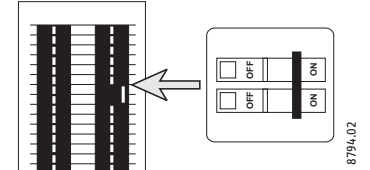
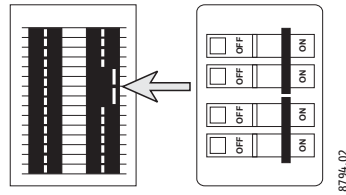
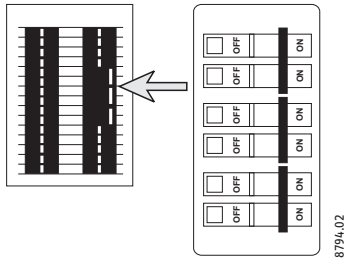
**TEMPRA 15, 20, 24 B
TEMPRA 15, 20, 24 Plus**



**TEMPRA 12 B
TEMPRA 12 Plus**

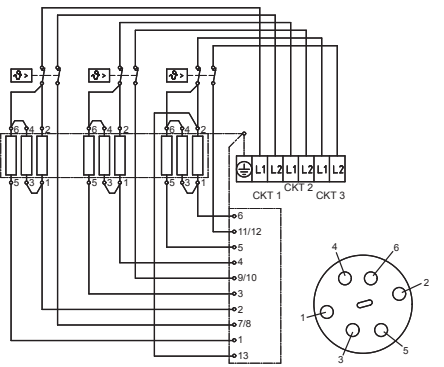


2

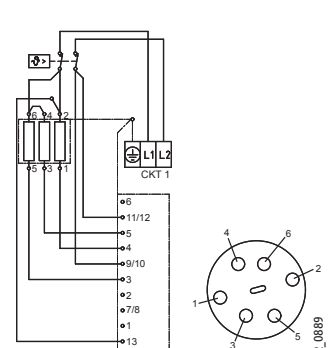
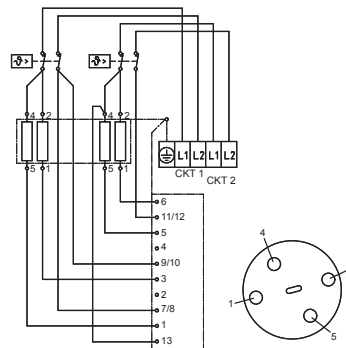
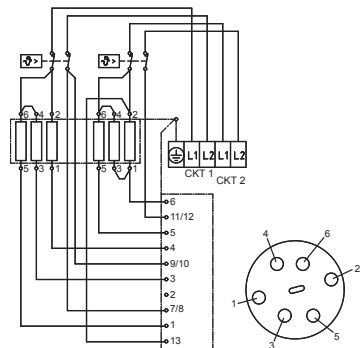
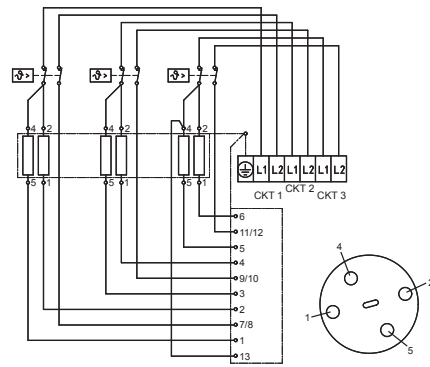


I

TEMPRA 36 Plus



TEMPRA 29 Plus



**TEMPRA 24 B
TEMPRA 24 Plus**

**TEMPRA 15/20 B
TEMPRA 15/20 Plus**

**TEMPRA 12 B
TEMPRA 12 Plus**

26_02_02_0889

THIS MANUAL MUST BE READ CAREFULLY BEFORE ATTEMPTING TO INSTALL THE TEMPRA WATER HEATER. IF YOU DO NOT FOLLOW THE SAFETY RULES OR THE INSTRUCTIONS OUTLINED IN THIS MANUAL, THE UNIT MAY NOT OPERATE PROPERLY AND IT COULD CAUSE PROPERTY DAMAGE, SERIOUS BODILY INJURY AND/OR DEATH.

STIEBEL ELTRON, INC. WILL NOT BE LIABLE FOR ANY DAMAGES BECAUSE OF FAILURE TO COMPLY WITH THE INSTALLATION AND OPERATING INSTRUCTIONS OUTLINED IN THIS MANUAL OR BECAUSE OF IMPROPER USE. IMPROPER USE INCLUDES THE USE OF THIS APPLIANCE TO HEAT ANY LIQUID OTHER THAN WATER. FAILURE TO COMPLY WITH THE INSTALLATION AND OPERATING INSTRUCTIONS OR IMPROPER USE VOIDS WARRANTY. NEVER REMOVE THE UNIT'S COVER UNLESS THE ELECTRICITY IS TURNED OFF.

IF YOU HAVE ANY QUESTIONS REGARDING THE INSTALLATION OR OPERATION OF THIS WATER HEATER, OR IF YOU NEED ANY ADDITIONAL INSTALLATION MANUALS, PLEASE CALL OUR TECHNICAL SERVICE LINE ON 800-582-8423 (USA AND CANADA ONLY). IF YOU ARE CALLING FROM OUTSIDE THE U.S. OR CANADA, PLEASE CALL USA 413-247-3380 AND WE WILL REFER YOU TO A QUALIFIED STIEBEL ELTRON SERVICE REPRESENTATIVE IN YOUR AREA.

- 1 Temperature adjustment knob
- 2 Temperature scale
- 2.1 Temperature display
- 3 "Power" light
- 4 Knock-outs for wires
- 5 Safety thermal cut out
- 6 Outlet temperature sensor
- 7 Wiring block
- 8 Electronic control unit
- 9 Heating system
- 10 Flow sensor
- 11 Motor-operated valve
- 12 Cold water connection
- 13 Hot water connection
- 14 Hot valve (left)
- 15 Cold valve (right)
- 16 Sink
- 17 Water supply line for faucet/tap installation

2 General

⚠ DANGER: WATER TEMPERATURES OVER 125 °F CAN CAUSE SEVERE BURNS INSTANTLY OR DEATH FROM SCALDING. A HOT WATER SCALDING POTENTIAL EXISTS IF THE THERMOSTAT ON THE UNIT IS SET TOO HIGH. HOUSEHOLDS WITH SMALL CHILDREN, DISABLED OR ELDERLY PERSONS MAY REQUIRE THAT THE THERMOSTAT BE SET AT 120 °F OR LOWER TO PREVENT POSSIBLE INJURY FROM HOT WATER.

The TEMPRA and TEMPRA Plus units are designed to supply hot water for a house, apartment or certain commercial applications. Unlike a conventional storage type water heater the TEMPRA tankless water heater does not store hot water. Instead, water is heated instantaneously as it flows through the unit. The TEMPRA offers greater energy efficiency than storage type water heaters due to the absence of stand-by losses and reduced hot water pipe runs.

The input of heat into the water is controlled electronically. The TEMPRA will deliver any water temperature between 86 °F (30 °C)

and 140 °F (60 °C). Please set the desired temperature using the knob on the front cover. The TEMPRA PLUS Temperature adjustment knob can be set to: OFF, 86...140 °F (30...60 °C). The TEMPRA has a °F and a °C scale. The output temperature of the TEMPRA Plus is shown in the digital display in °F or °C units. (°F or °C units can be selected during installation, factory setting: °F). The maximum temperature is electronically limited to 140 °F (60 °C).

Recommended is a setting of 108 °F (42 °C) to 116 °F (47 °C). The outlet temperature of the TEMPRA Plus can be limited to 109 °F (43 °C).

Temptra B units:
In case the "Power" LED is flashing while the unit operates, the water flow rate exceeds the heating capacity of the unit. Reduce the hot water flow rate in order to let the unit achieve the set point temperature.

In case you have questions regarding the way you plan to use the TEMPRA unit, please call our technical service line at 800-582-8423 (USA and Canada). For service outside the U.S. and Canada, please call us at USA 413-247-3380. You can also e-mail us at info@stiebel-eltron-usa.com or fax us at USA 413-247-3369.

The TEMPRA can be used for the following applications.

- G 1 Typical residential installation**
- G 2 Typical commercial installation**

3 Mounting the unit

⚠ NOTICE: UNIT MUST BE INSTALLED IN A VERTICAL POSITION WITH THE WATER FITTINGS POINTING DOWNWARD.

WARNING: DO NOT INSTALL UNIT WHERE IT WOULD ROUTINELY BE SPLASHED WITH WATER. ELECTRIC SHOCK MAY RESULT.

CAUTION: HOT WATER OUTLET PIPES LEAVING UNIT CAN BE HOT TO THE TOUCH. INSULATION MUST BE USED FOR HOT WATER PIPES BELOW 36" DUE TO BURN RISK TO CHILDREN.

⚠ NOTICE: THIS UNIT SHOULD NOT BE INSTALLED IN A LOCATION WHERE IT MAY BE EXPOSED TO FREEZING TEMPERATURES (LESS THAN 36 °F). IF THE UNIT MAY BE SUBJECT TO FREEZING TEMPERATURES ALL WATER MUST BE DRAINED FROM THE UNIT. FAILURE TO COMPLY WITH THIS INSTRUCTION VOIDS ALL WARRANTIES.

THE UNIT SHOULD BE LOCATED IN AN AREA WHERE WATER LEAKAGE FROM THE UNIT OR CONNECTIONS WILL NOT RESULT IN DAMAGE TO THE AREA ADJACENT TO THE UNIT. IF SUCH A LOCATION CANNOT BE AVOIDED IT IS RECOMMENDED THAT A DRAIN PAN BE INSTALLED UNDER THE UNIT.

1. Install TEMPRA as close as possible to the main hot water draw-off points.
2. Install TEMPRA in a frost free area. If frost might occur, remove unit before freezing temperatures set in.
3. Leave a minimum of 5" of clearance on all sides for servicing.
4. Remove the cover screw with chopper disc and open the cover **C**.
5. Mount unit securely to wall by putting at least three screws through mounting holes **E 1 - 3**. Screws and plastic wall anchors for mounting on masonry or wood are provided.

4 Water connections

⚠ NOTICE: EXCESSIVE HEAT FROM SOLDERING ON COPPER PIPES NEAR THE TEMPRA MAY CAUSE DAMAGE.

THE COLD WATER CONNECTION TO THE UNIT MUST BE DISCONNECTED PERIODICALLY IN ORDER TO CLEAN THE FILTER SCREEN. IT IS REQUIRED TO USE WATER CONNECTIONS THAT ARE EASILY DETACHABLE SUCH AS BRAIDED STEEL FLEX CONNECTORS.

⚠ NOTICE: HARD WATER OR WATER WITH A HIGH MINERAL COUNT MAY DAMAGE THE UNIT. DAMAGE TO THE UNIT CAUSED BY SCALE OR A HIGH MINERAL COUNT IS NOT COVERED UNDER THE WARRANTY.

- All plumbing work must comply with national and applicable state and local plumbing codes.
- A pressure reducing valve must be installed if the cold water supply pressure exceeds 150 PSI (10 bar).
- Make certain that the cold water supply line has been flushed to remove any scale and dirt.
- D** Also, the TEMPRA unit has a built in filter screen **1** that should be cleaned from time to time. Clean screen and put the screen and the washer **2** back into their original position.
- The cold water connection (inlet) is on the right side of the unit, and the hot water connection (outlet) is on the left side of the unit.
- ⚠** Tankless water heaters such as the TEMPRA are not required to be equipped with a Pressure and Temperature Relief Valve (P&T). If the local inspector will not pass the installation without a P&T, it should be installed on the hot water outlet side of the unit.
- The TEMPRA on the hot side is designed for connection to copper tubing, PEX tubing or a braided stainless steel hose with a 3/4" NPT female tapered thread.
The plumbing on the cold water inlet side needs to be such that it can easily be removed to allow access to the inlet filter screen. The easiest way to achieve this is to use a stainless steel braided hose connector. If soldering near the unit is necessary, please direct the flame away from the housing of the unit in order to avoid damage.
- When all plumbing work is completed, check for leaks and take corrective action before proceeding.

5 Electrical connection

⚠ WARNING: BEFORE BEGINNING ANY WORK ON THE ELECTRIC INSTALLATION, BE SURE THAT MAIN BREAKER PANEL SWITCHES ARE "OFF" TO AVOID ANY DANGER OF ELECTRIC SHOCK. ALL MOUNTING AND PLUMBING MUST BE COMPLETED BEFORE PROCEEDING WITH ELECTRICAL HOOK-UP. WHERE REQUIRED BY LOCAL, STATE OR NATIONAL ELECTRICAL CODES THE CIRCUITS SHOULD BE EQUIPPED WITH A "GROUND FAULT INTERRUPTER".

THE UNIT MUST BE PROPERLY GROUNDED IN ACCORDANCE WITH STATE AND LOCAL CODES, OR IN ABSENCE OF SUCH CODES, IN ACCORDANCE WITH NATIONAL ELECTRIC CODE OR THE CANADIAN ELECTRIC CODE. FAILURE TO ELECTRICALLY GROUND THE PRODUCT COULD RESULT IN SERIOUS PERSONAL INJURY OR DEATH.

- All electrical work must comply with national and applicable state and local electrical codes.
- H** The TEMPRA should be connected to properly grounded dedicated branch circuits of proper voltage rating. Ground must be brought to the "Ground" at the circuit breaker panel.

TEMPRA 12 B/Plus: These units can be connected to a single circuit. Use a supply cable protected by a double pole breaker (see **2**).

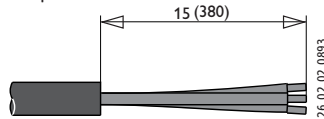
The TEMPRAS 15 to 36 must have multiple power sources.

TEMPRA 15, 20 or 24 B/Plus: These units require two independent circuits. Use two supply cables protected by two separate double pole breakers (see **2**).

TEMPRA 29 or 36 Plus These units require three independent circuits. Use three supply cables protected by three separate double pole breakers (see **2**).

Please refer to the technical data table for the correct wire and circuit breaker size. In all cases, make sure that the unit is properly grounded.

- Cut the electrical connection cable to length and strip.



- The wire must be fed through the knock-outs located between the hot and cold water connections **A**, **H** **1**. The "live" wires must be connected to the slots on the terminal block marked L1 and L2. The ground wire must be connected to slot marked with the ground symbol (see **1**).

6 Initial settings

F **1** Selection of °F or °C units
- Set jumper on the dial-printed circuit board to °F or °C.

F **2** Temperature limiter

The TEMPRA PLUS output temperature can be limited to 109 °F (43 °C) by setting the jumper to position T_{red} (reduced temperature)

7 Putting the water heater into operation

⚠ WARNING: OPEN HOT WATER FAUCET FOR A FEW MINUTES UNTIL WATER FLOW IS CONTINUOUS AND ALL AIR IS PURGED FROM WATER PIPES. THE UNIT'S COVER MUST BE INSTALLED BEFORE THE CIRCUIT BREAKERS ARE TURNED ON.

- Close the cover and fix it using the screw with chopper disc.
- Turn on circuit breakers to bring electrical power to the unit.
- Turn the temperature selector clockwise and anti-clockwise, to calibrate the set value transducer.
- Adjust the water temperature to the desired level using the knob on the front cover of the unit.
- Turn on hot water and wait twenty seconds until temperature has stabilized.
- Check the water temperature with your hand and make sure that it does not feel too hot. Reduce if necessary.
- Explain to the user how the unit works and familiarise him or her with its use.
Advise the user about possible hazards (hot water temperature up to 140 °F / 60 °C). Hand over these instructions, to be kept for future reference.

8 Normal maintenance

⚠ NOTICE: THE TEMPRAS DO NOT CONTAIN ANY PARTS SERVICEABLE BY THE LAY PERSON. IN CASE OF MALFUNCTION PLEASE CONTACT A LICENSED PLUMBER OR ELECTRICIAN.

STIEBEL ELTRON TEMPRA tankless water heaters are designed for a very long service life. Actual life expectancy will vary with water quality and use. The unit itself does not require any regular maintenance. However, to ensure consistent water flow, it is recommended to periodically remove scale and dirt that may build up at the aerator of the faucet(s), the filter screen in the unit, or in the shower head.

9 Technical Data

Model		TEMPRA 12 B TEMPRA 12 Plus		TEMPRA 15 B TEMPRA 15 Plus		TEMPRA 20 B TEMPRA 20 Plus		TEMPRA 24 B TEMPRA 24 Plus		TEMPRA 29 Plus		TEMPRA 36 Plus	
Phase		1		1		1		1		1		1	
Voltage	V	208	240	208	240	208	240	208	240	208	240	208	240
Wattage	kW	9	12	10.8	14.4	14.4	19.2	18	24	21.6	28.8	27	36
Max. amp. load	A	44	50	2 x 26	2 x 30	2 x 35	2 x 40	2 x 44	2 x 50	3 x 35	3 x 40	3 x 44	3 x 50
Min. required circuit breaker size	A	60	60	2 x 40	2 x 40	2 x 50	2 x 50	2 x 60	2 x 60	3 x 50	3 x 50	3 x 60	3 x 60
Required wire size	AWG COPPER	6	6	2 x 8	2 x 8	2 x 8	2 x 8	2 x 6	2 x 6	3 x 8	3 x 8	3 x 6	3 x 6
Inlet temperature, max.	°F (°C)	131 (55)											
Water flow to activate unit	≥ GPM (≥ l/min)	0.37 (1.4)		0.58 (2.2)		0.58 (2.2)		0.58 (2.2)		0.87 (3.3)		0.87 (3.3)	
Nominal water volume	GAL (l)	0.13 (0.5)		0.26 (1.0)		0.26 (1.0)		0.26 (1.0)		0.39 (1.5)		0.39 (1.5)	
Working pressure, max.	PSI (bar)	145 (10)											
Tested to pressure	PSI (bar)	290 (20)											
Weight	lbs. (kg)	13.2 (6.1)		15.4 (7.3)		15.4 (7.3)		15.4 (7.3)		17.6 (8.6)		17.6 (8.6)	
Dimensions													
height	inch (mm)	14 1/2 (369)											
depth		4 5/8 (117)											
width		16 5/8 (420)											
Water connections	NPT	3/4"											

- Tankless water heaters are considered a non-continuous load
- Conductors should be sized to maintain a voltage drop of less than 3 % under load

10 Troubleshooting

Symptom	Possible cause	Solution
No hot water	<ul style="list-style-type: none"> - circuit breakers off - safety thermal cut-out tripped - not enough flow rate to activate unit 	<ul style="list-style-type: none"> - turn circuit breakers on - reset safety thermal cut-out - clean filter screen at unit - clean faucet aerator or shower head
Not enough hot water	<ul style="list-style-type: none"> - filter screen clogged 	<ul style="list-style-type: none"> - clean filter screen at unit
Water not hot enough	<ul style="list-style-type: none"> - water flow rate too high - voltage too low 	<ul style="list-style-type: none"> - reduce water flow rate until power light on front cover stops blinking - supply correct voltage to unit

If you are not able to resolve a problem please contact us toll free at 800-582-8423 before removing the unit from the wall. STIEBEL ELTRON is happy to provide technical assistance. In most instances, we can resolve the problem over the phone.

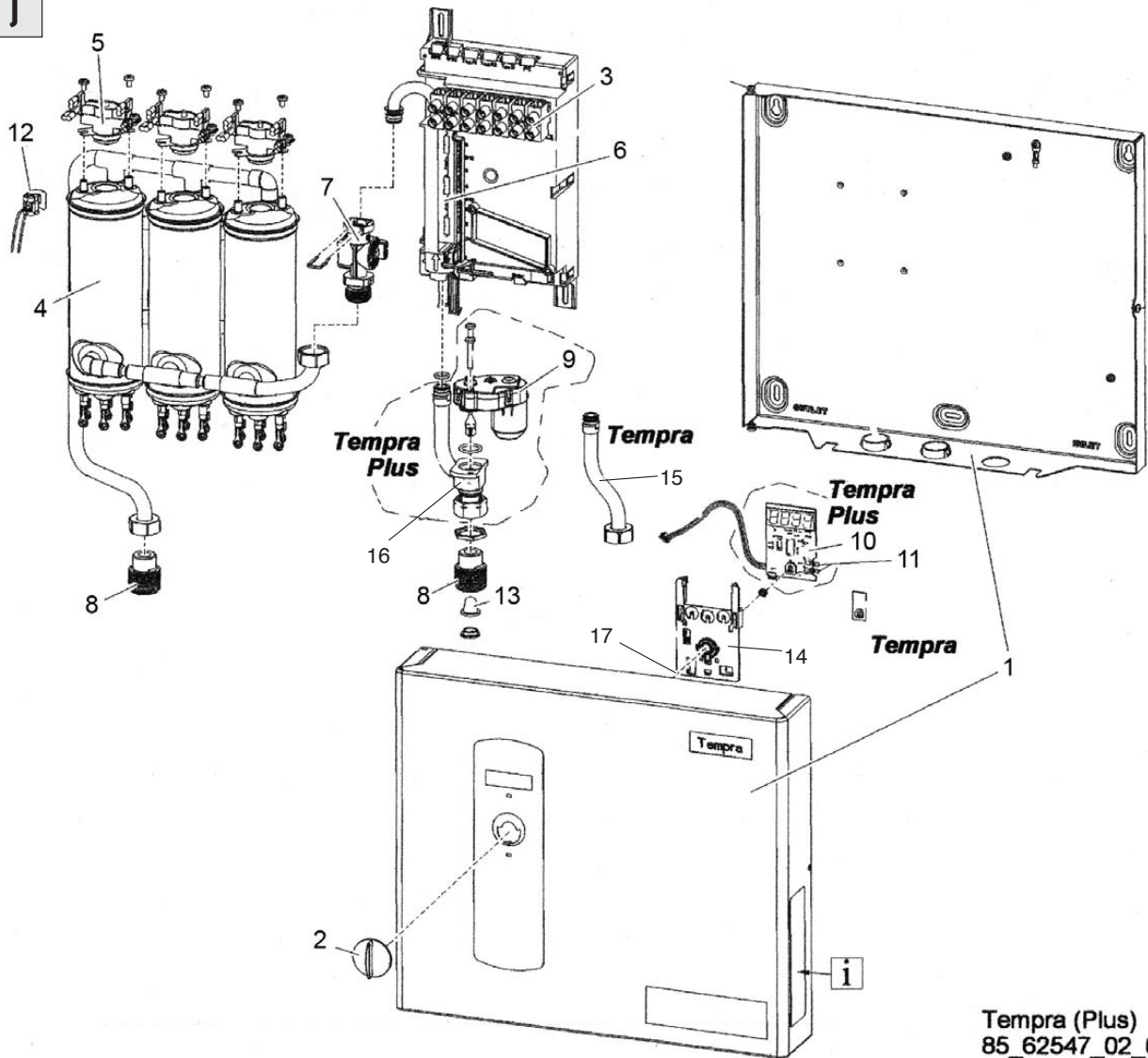
11 Spare parts

Model	Spare part No.						
J	1	2	3	4	5	6	7
	Housing	Temp. control knob	Wiring block	Heating system	Safety thermal cut out	Electronic control device	Flow sensor
TEMPRA 12 B	286356	254307	279998	286360	286369	286366	286461
TEMPRA 15 B	286356	254307	279997	286361	286369	286844	286461
TEMPRA 20 B	286356	254307	279997	286362	286369	286844	286461
TEMPRA 24 B	286356	254307	279997	286364	286369	286367	286461
TEMPRA 12 Plus	286370	254307	279998	286360	286369	286375	286461
TEMPRA 15 Plus	286370	254307	279997	286361	286369	286845	286461
TEMPRA 20 Plus	286370	254307	279997	286362	286369	286845	286461
TEMPRA 24 Plus	286370	254307	279997	286364	286369	286376	286461
TEMPRA 29 Plus	286370	254307	279996	286373	286369	286378	286461
TEMPRA 36 Plus	286370	254307	279996	286374	286369	286379	286461

Model	Spare part No.						
J	8	9	10	11	12	13	14
	Plumbing connection 3/4"	Advanced Flow Control	Electronic temp. control	Jumpers	Temperature sensor	Filter screen	Set point case
TEMPRA 12 B	278698	---	286359	283455	280677	056755	280730
TEMPRA 15 B	278698	---	286359	283455	280677	056755	280730
TEMPRA 20 B	278698	---	286359	283455	280677	056755	280730
TEMPRA 24 B	278698	---	286359	283455	280677	056755	280730
TEMPRA 12 Plus	278698	220502	286372	283455	280677	056755	280730
TEMPRA 15 Plus	278698	220502	286372	283455	280677	056755	280730
TEMPRA 20 Plus	278698	220502	286372	283455	280677	056755	280730
TEMPRA 24 Plus	278698	220502	286372	283455	280677	056755	280730
TEMPRA 29 Plus	278698	220502	286372	283455	280677	056755	280730
TEMPRA 36 Plus	278698	220502	286372	283455	280677	056755	280730

Model	Spare part No.		
J	15	16	17
	Inlet pipe elbow	Valve assembly	Axis connection plug
TEMPRA 12 B	278695	---	254312
TEMPRA 15 B	278695	---	254312
TEMPRA 20 B	278695	---	254312
TEMPRA 24 B	278695	---	254312
TEMPRA 12 Plus	---	280622	254312
TEMPRA 15 Plus	---	280622	254312
TEMPRA 20 Plus	---	280622	254312
TEMPRA 24 Plus	---	280622	254312
TEMPRA 29 Plus	---	280622	254312
TEMPRA 36 Plus	---	280622	254312

J



Tempra (Plus)
85_62547_02_001


General Information

Es importante leer y cumplir cuidadosamente todas las indicaciones del presente manual de servicio. De no seguir las indicaciones, normas y reglas detalladas se pueden causar daños personal y/o materiales. Errores, cambios de lo indicado en la instalación, ajuste, alteraciones, tipo de servicio y uso de esta unidad pueden provocar serios daños personales.


Se requiere que la instalación de esta unidad sea efectuada por un electricista y plomero profesionales. Una vez terminada la instalación debe cumplir con todas las normas y códigos locales y nacionales. La adecuada instalación es responsabilidad del usuario. El no cumplir con las instrucciones de instalación o el uso inapropiado anula la garantía.

Este manual de instrucciones debe estar guardado para referencia. El contratista instalador debe dejar este manual con el dueño/ usuario del equipo.

Si hay alguna(s) pregunta(s) sobre la instalación, uso o funcionamiento de este calentador de agua, o si se requieren copias adicionales de este manual, favor llamar a nuestro teléfono de servicio (800) 582-8423 (solo en los EE.UU. AA y Canadá). Si Ud. está ubicado afuera de los EE.UU.AA. y Canadá favor llamarnos al teléfono ++ (413) 247-3380 y nosotros les dirigimos al centro de servicio Stiebel Eltron autorizado más cercano.

 **ESTE ES EL SIMBOLO / ADVERTENCIA DE SEGURIDAD!!! SE UTILIZA PARA ALERTARLES DE RIESGOS Y PELIGROS POTENCIALES REFERENTES A SU SEGURIDAD PERSONAL, HAY QUE SEGUIR TODOS LOS MENSAJES DE ADVERTENCIA PARA EVITAR POSIBLES LESIONES PERSONALES Y PELIGROS QUE PUEDEN CAUSAR HASTA LA MUERTE.**

S1 Safety Precautions

 **FAVOR LEER Y CUMPLIR CUIDADOSAMENTE TODAS LAS INDICACIONES DEL PRESENTE MANUAL DE SERVICIO. DE NO SEGUIR LAS INDICACIONES, NORMAS Y REGLAS DETALLADAS SE PUEDEN CAUSAR DAÑOS PERSONALES Y/O LA MUERTE.**


LA INSTALACIÓN DE ESTA UNIDAD DEBE SER EFECTUADA POR UN ELECTRICISTA Y PLOMERO PROFESIONAL. UNA VEZ TERMINADA LA INSTALACIÓN DEBE CUMPLIR CON TODAS LAS NORMAS Y CÓDIGOS LOCALES Y NACIONALES.

EL MANTENIMIENTO O REPARACIÓN DE ESTA UNIDAD DEBE SER EFECTUADO POR UN TÉCNICO DEBIDAMENTE CALIFICADO PARA EFECTUAR TAL SERVICIO.

HAY QUE DESCONECTAR / APAGAR TODOS LOS INTERRUPTORES AUTOMÁTICOS, "BREAKERS", DISYUNTORES, Y CONEXIONES DANDO CARGA ELÉCTRICA A LA UNIDAD ANTES DE PROCEDER CON CUALQUIER INSTALACIÓN, AJUSTE, CAMBIO O PROCEDIMIENTO DE SERVICIO. EL NO SEGUIR ESTE PROCESO SE CORRE LA POSIBILIDAD DE LESIONES PERSONALES Y PELIGROS QUE PUEDEN CAUSAR HASTA LA MUERTE.

NO SE PUEDE ABRIR O DESTAPAR LA UNIDAD A MENOS QUE LA ELECTRICIDAD ALIMENTANDO LA UNIDAD ESTÁ APAGADA. EL NO SEGUIR ESTE PROCESO SE CORRE LA POSIBILIDAD DE LESIONES PERSONALES Y PELIGROS QUE PUEDEN CAUSAR HASTA LA MUERTE.

ES INDISPENSABLE CONECTAR EL APARATO A LA TOMA DE TIERRA DE LA INSTALACIÓN ELÉCTRICA. EL NO SEGUIR ESTE PROCESO SE CORRE LA POSIBILIDAD DE LESIONES PERSONALES Y PELIGROS QUE PUEDEN CAUSAR HASTA LA MUERTE.

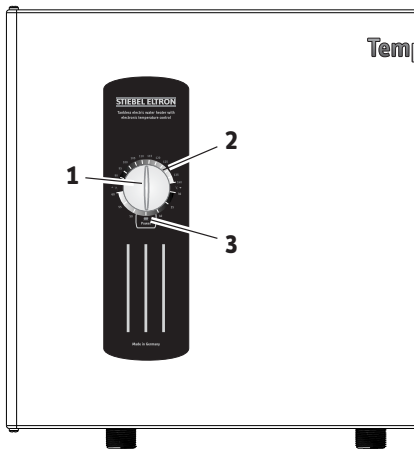
 **AGUA CALIENTE CON TEMPERATURA MAYOR DE 125° F / 52° C PUEDE CAUSAR QUEMADURAS GRAVES DE ESCALDADURA INSTANTÁNEAMENTE Y/O LA MUERTE. EL RIESGO PARA QUEMADURAS DE ESCALDADURA EXISTE SI EL CONTROL DEL TERMOSTATO DE LA UNIDAD ESTA PUESTO EN UNA POSICIÓN DEMASIADO ALTA. HOGARES CON INFANTES, NIÑOS PEQUEÑOS, PERSONAS MINUSVÁLIDAS O ANCIANOS DEBEN OPTAR POR COLOCAR LA TEMPERATURA DE AGUA CALIENTE SALIENTE A MENOS DE 120° F (49° C) PARA EVITAR POSIBLES LESIONES POR QUEMADURA.**

1 Aumento máximo de temperatura del agua fría entrante**Aumento máximo de temperatura del agua fría entrante**

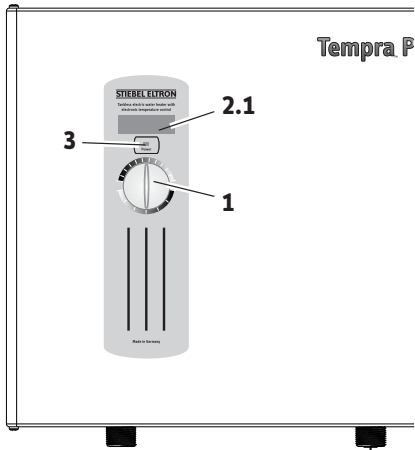
Flujo de agua caliente			GPM						l/min					
Temperatura del agua caliente			105 °F						40 °C					
agua fría temperatura de entrada			°F						°C					
			39	59	77	95	113	131	4	15	25	35	45	55
TEMPRA 12 B / TEMPRA 12 Plus	@ 208 V	9 kW	0,95	1,36	2,27	6,61			3,58	5,16	8,59	25,00		
	@ 220 - 240 V	12 kW	1,26	1,82	3,03	6,61			4,77	6,87	11,46	25,00		
TEMPRA 15 B / TEMPRA 15 Plus	@ 208 V	10,8 kW	1,14	1,63	2,72	6,61			4,30	6,19	10,31	25,00		
	@ 220 - 240 V	14,4 kW	1,51	2,18	3,63	6,61			5,73	8,25	13,75	25,00		
TEMPRA 20 B / TEMPRA 20 Plus	@ 208 V	14,4 kW	1,51	2,18	3,63	6,61			5,73	8,25	13,75	25,00		
	@ 220 - 240 V	19,2 kW	2,02	2,91	4,84	6,61			7,64	11,00	18,33	25,00		
TEMPRA 24 B / TEMPRA 24 Plus	@ 208 V	18 kW	1,89	2,72	4,54	6,61			7,16	10,31	17,18	25,00		
	@ 220 - 240 V	24 kW	2,52	3,63	6,05	6,61			9,55	13,75	22,91	25,00		
TEMPRA 29 Plus	@ 208 V	21,6 kW	2,27	3,27	5,45	6,61			8,59	12,37	20,62	25,00		
	@ 220 - 240 V	28,8 kW	3,03	4,36	6,61	6,61			11,46	16,50	25,00	25,00		
TEMPRA 36 Plus	@ 208 V	27 kW	2,84	4,09	6,61	6,61			10,74	15,47	25,00	25,00		
	@ 220 - 240 V	36 kW	3,78	5,45	6,61	6,61			14,32	20,62	25,00	25,00		

Temperatura del agua caliente			113 °F						45 °C					
agua fría temperatura de entrada			°F						°C					
			39	59	77	95	113	131	4	15	25	35	45	55
TEMPRA 12 B / TEMPRA 12 Plus	@ 208 V	9 kW	0,83	1,14	1,70	3,41	6,61		3,14	4,30	6,44	12,89	25,00	
	@ 220 - 240 V	12 kW	1,11	1,51	2,27	4,54	6,61		4,19	5,73	8,59	17,18	25,00	
TEMPRA 15 B / TEMPRA 15 Plus	@ 208 V	10,8 kW	1,00	1,36	2,04	4,09	6,61		3,77	5,16	7,73	15,47	25,00	
	@ 220 - 240 V	14,4 kW	1,33	1,82	2,72	5,45	6,61		5,03	6,87	10,31	20,62	25,00	
TEMPRA 20 B / TEMPRA 20 Plus	@ 208 V	14,4 kW	1,33	1,82	2,72	5,45	6,61		5,03	6,87	10,31	20,62	25,00	
	@ 220 - 240 V	19,2 kW	1,77	2,42	3,63	6,61	6,61		6,71	9,16	13,75	25,00	25,00	
TEMPRA 24 B / TEMPRA 24 Plus	@ 208 V	18 kW	1,66	2,27	3,41	6,61	6,61		6,29	8,59	12,89	25,00	25,00	
	@ 220 - 240 V	24 kW	2,21	3,03	4,54	6,61	6,61		8,38	11,46	17,18	25,00	25,00	
TEMPRA 29 Plus	@ 208 V	21,6 kW	1,99	2,72	4,09	6,61	6,61		7,54	10,31	15,47	25,00	25,00	
	@ 220 - 240 V	28,8 kW	2,66	3,63	5,45	6,61	6,61		10,06	13,75	20,62	25,00	25,00	
TEMPRA 36 Plus	@ 208 V	27 kW	2,49	3,41	5,11	6,61	6,61		9,43	12,89	19,33	25,00	25,00	
	@ 220 - 240 V	36 kW	3,32	4,54	6,61	6,61	6,61		12,57	17,18	25,00	25,00	25,00	

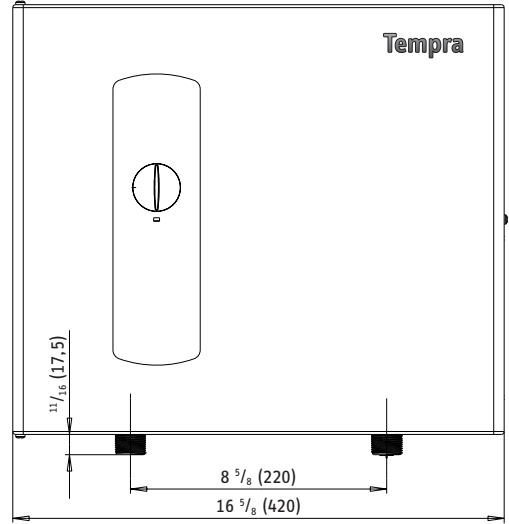
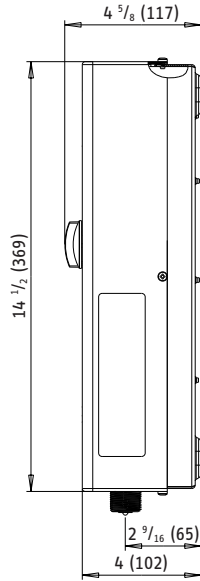
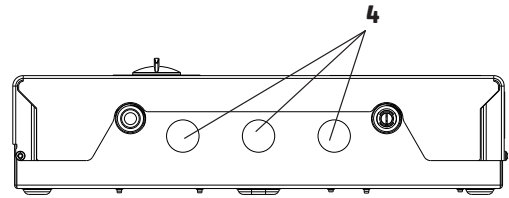
Temperatura del agua caliente			140 °F						60 °C					
agua fría temperatura de entrada			°F						°C					
			39	59	77	95	113	131	4	15	25	35	45	55
TEMPRA 12 B / TEMPRA 12 Plus	@ 208 V	9 kW	0,61	0,76	0,97	1,36	2,27	6,61	2,30	2,86	3,68	5,16	8,59	25,00
	@ 220 - 240 V	12 kW	0,81	1,01	1,30	1,82	3,03	6,61	3,07	3,82	4,91	6,87	11,46	25,00
TEMPRA 15 B / TEMPRA 15 Plus	@ 208 V	10,8 kW	0,73	0,91	1,17	1,63	2,72	6,61	2,76	3,44	4,42	6,19	10,31	25,00
	@ 220 - 240 V	14,4 kW	0,97	1,21	1,56	2,18	3,63	6,61	3,68	4,58	5,89	8,25	13,75	25,00
TEMPRA 20 B / TEMPRA 20 Plus	@ 208 V	14,4 kW	0,97	1,21	1,56	2,18	3,63	6,61	3,68	4,58	5,89	8,25	13,75	25,00
	@ 220 - 240 V	19,2 kW	1,30	1,61	2,08	2,91	4,84	6,61	4,91	6,11	7,86	11,00	18,33	25,00
TEMPRA 24 B / TEMPRA 24 Plus	@ 208 V	18 kW	1,22	1,51	1,95	2,72	4,54	6,61	4,60	5,73	7,36	10,31	17,18	25,00
	@ 220 - 240 V	24 kW	1,62	2,02	2,59	3,63	6,05	6,61	6,14	7,64	9,82	13,75	22,91	25,00
TEMPRA 29 Plus	@ 208 V	21,6 kW	1,46	1,82	2,33	3,27	5,45	6,61	5,52	6,87	8,84	12,37	20,62	25,00
	@ 220 - 240 V	28,8 kW	1,95	2,42	3,11	4,36	6,61	6,61	7,36	9,16	11,78	16,50	25,00	25,00
TEMPRA 36 Plus	@ 208 V	27 kW	1,82	2,27	2,92	4,09	6,61	6,61	6,90	8,59	11,05	15,47	25,00	25,00
	@ 220 - 240 V	36 kW	2,43	3,03	3,89	5,45	6,61	6,61	9,21	11,46	14,73	20,62	25,00	25,00

A**TEMPRA 12 - 24 B**

Temp

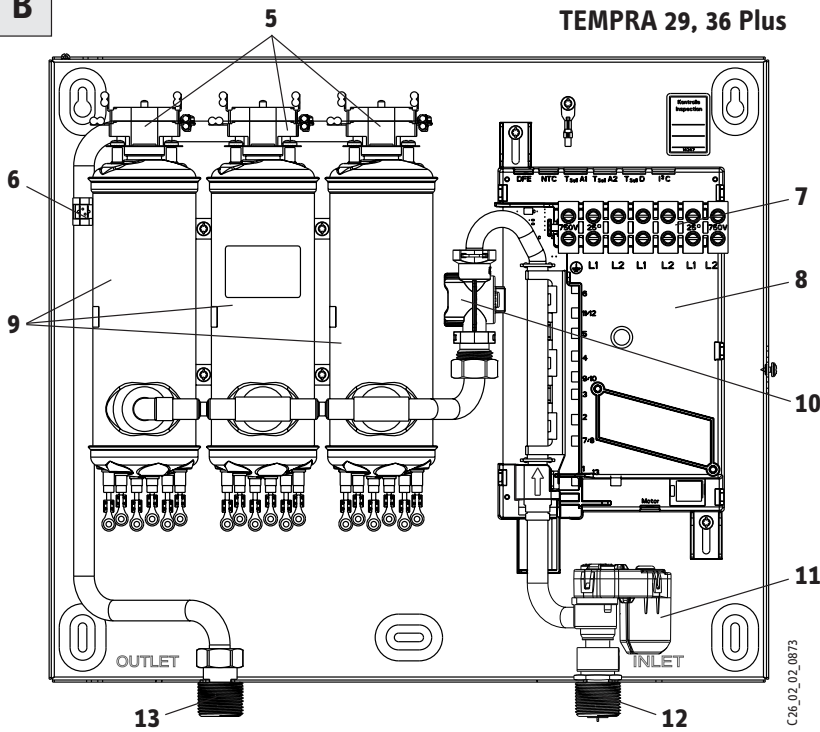
TEMPRA 12 - 36 Plus

Tempra F

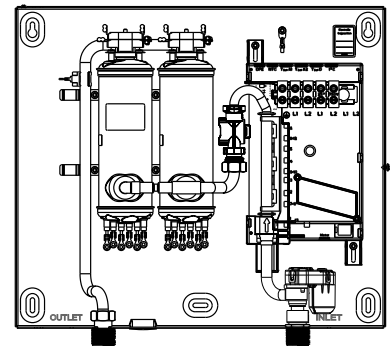


C36_02_02_0875

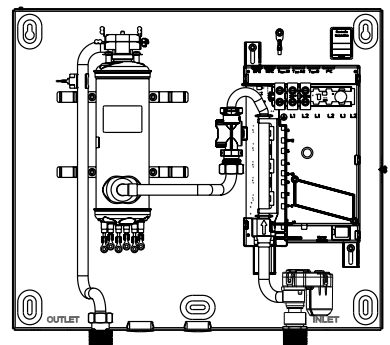
C36_02_02_0874

B**TEMPRA 29, 36 Plus**

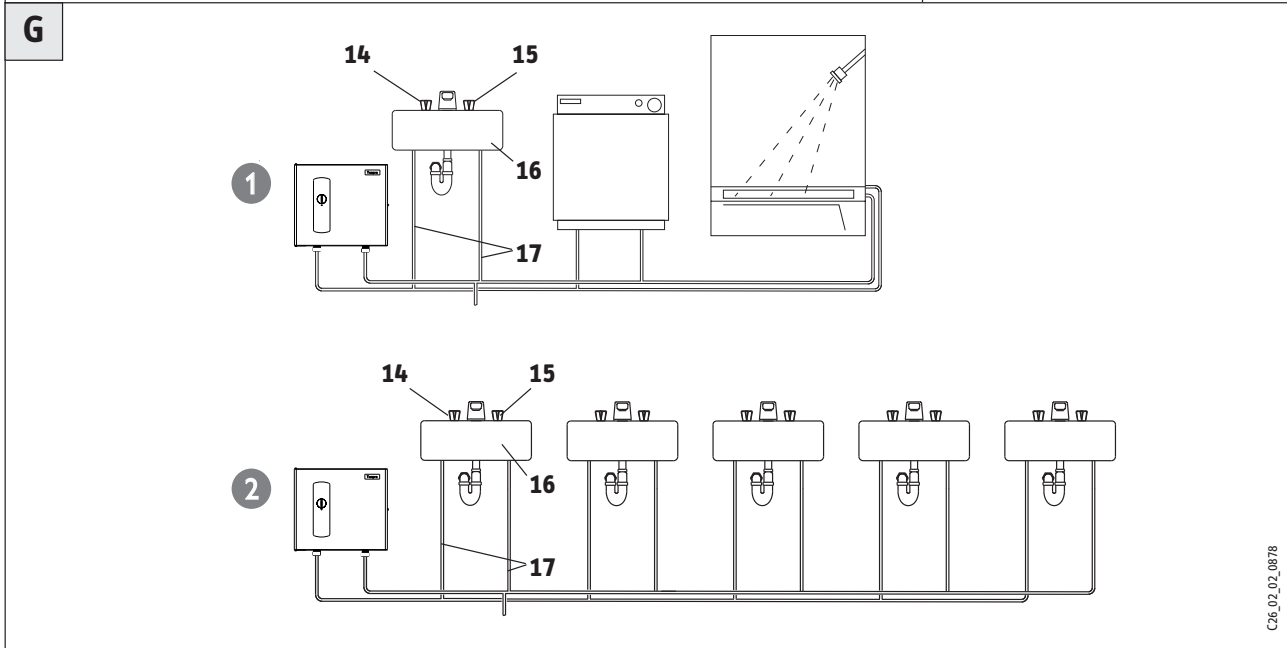
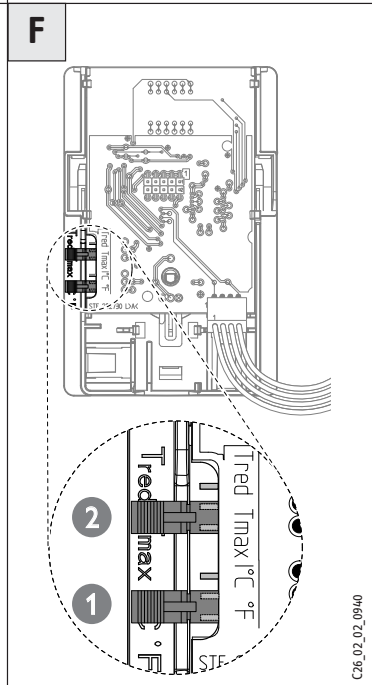
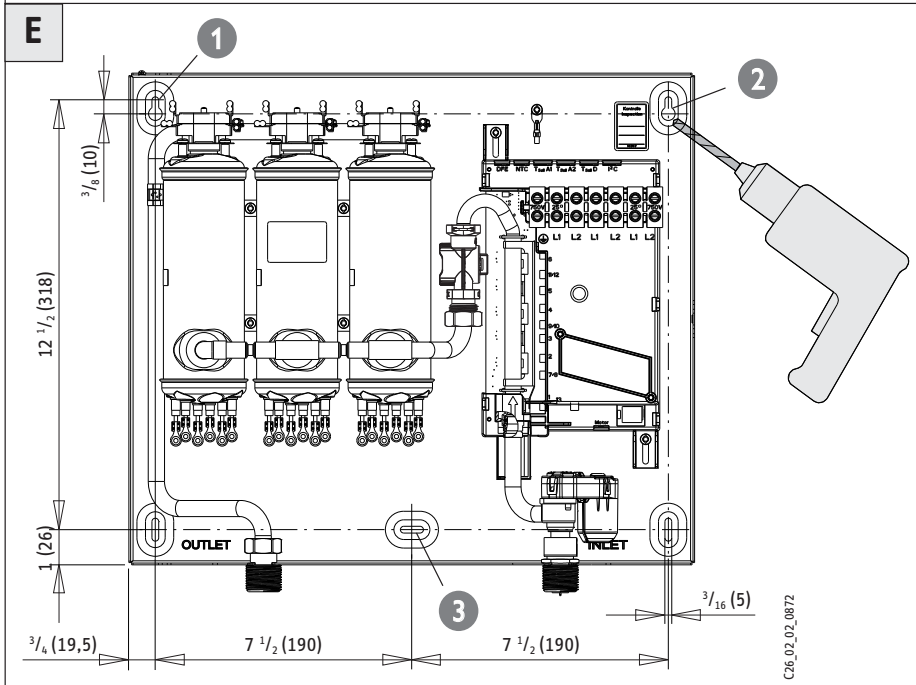
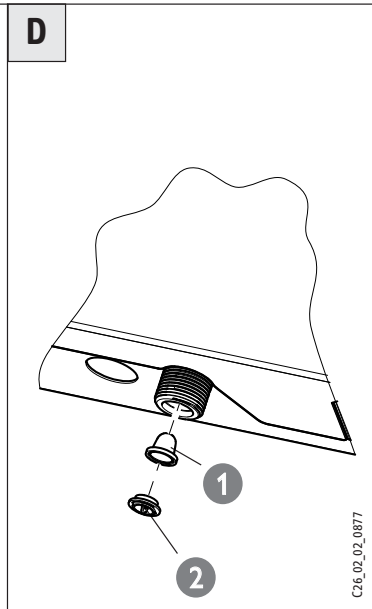
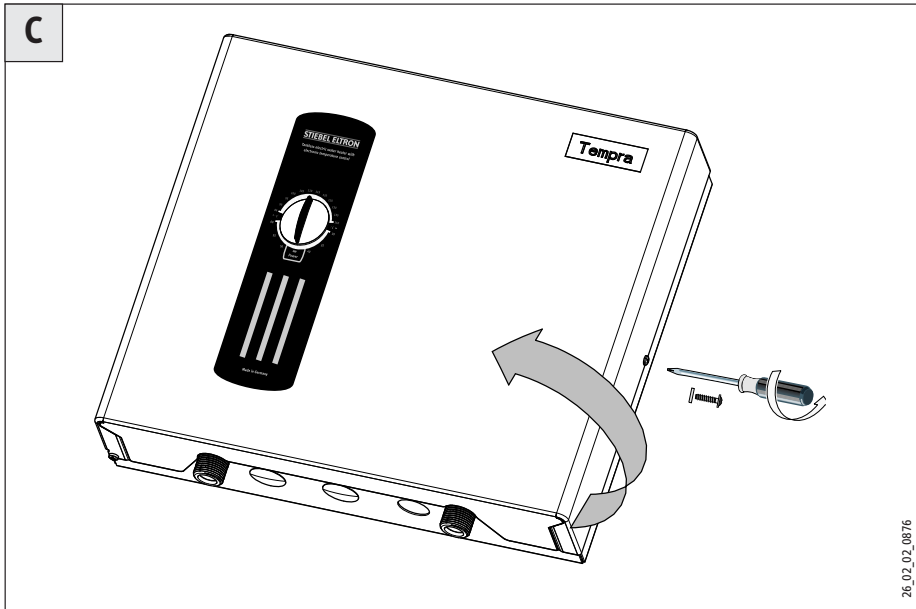
C36_02_02_0873

**TEMPRA 15, 20, 24 B
TEMPRA 15, 20, 24 Plus**

C36_02_02_0873

TEMPRA 12 B/TEMPRA 12 Plus

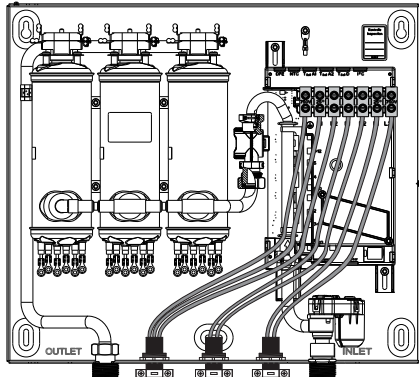
C36_02_02_0873



H

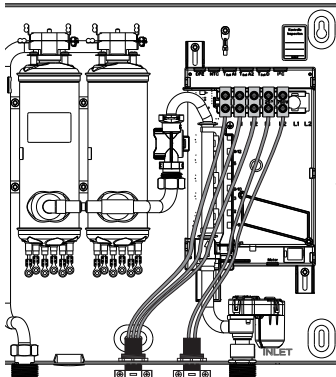
TEMPRA 29, 36 Plus

1



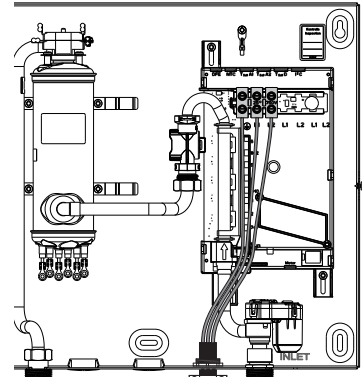
CKT 1 CKT 2 CKT 3

**TEMPRA 15, 20, 24 B
TEMPRA 15, 20, 24 Plus**



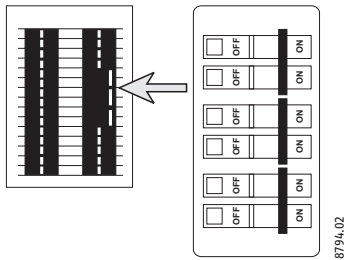
CKT 1 CKT 2

**TEMPRA 12 B
TEMPRA 12 Plus**

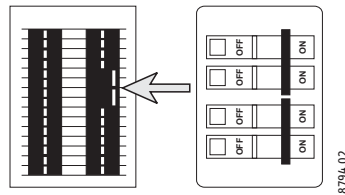


CKT 1

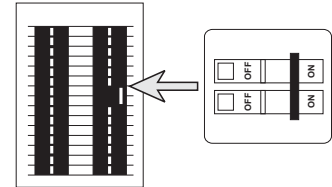
2



8794.02



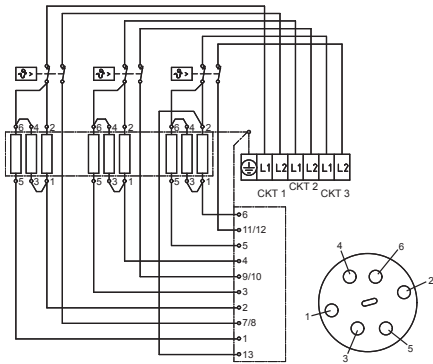
8794.02



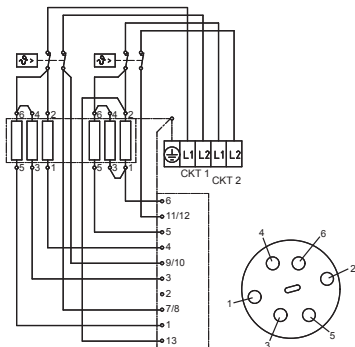
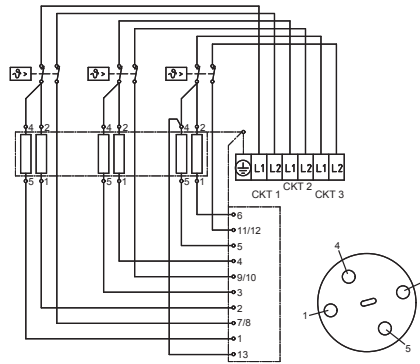
8794.02

I

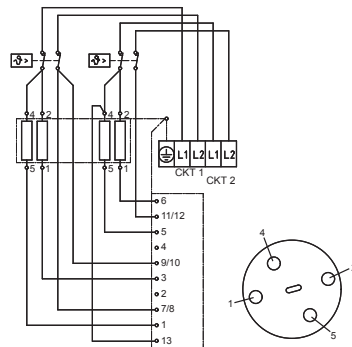
TEMPRA 36 Plus



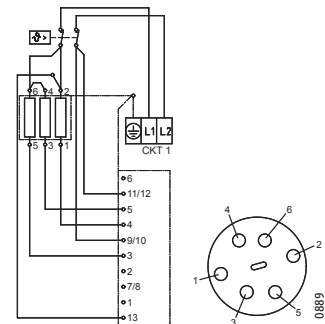
TEMPRA 29 Plus



**TEMPRA 24 B
TEMPRA 24 Plus**



**TEMPRA 15/20 B
TEMPRA 15/20 Plus**



**TEMPRA 12 B
TEMPRA 12 Plus**

26.02.02_0889

LEA ATENTAMENTE ESTE MANUAL ANTES DE INSTALAR EL CALENTADOR DE AGUA TEMPRA. SI NO SIGUE LAS NORMAS DE SEGURIDAD O LAS INSTRUCCIONES DEL PRESENTE MANUAL ES POSIBLE QUE LA UNIDAD NO FUNCIONE ADECUADAMENTE Y PODRÍAN PRODUCIRSE DAÑOS MATERIALES, LESIONES CORPORALES GRAVES E INCLUSO LA MUERTE.

STIEBEL ELTRON, INC. NO SE HACE RESPONSABLE DE NINGÚN DAÑO CAUSADO POR EL INCUMPLIMIENTO DE LAS INSTRUCCIONES DE INSTALACIÓN Y OPERACIÓN INDICADAS EN EL PRESENTE MANUAL O DERIVADO DEL USO INDEBIDO DE LA INSTALACIÓN. EL USO INDEBIDO ABARCA EL USO DE LA PRESENTE INSTALACIÓN PARA CALENTAR CUALQUIER OTRO LÍQUIDO DISTINTO AL AGUA. SI NO OBSERVA LAS INSTRUCCIONES DE INSTALACIÓN Y OPERACIÓN O SE HACE USO INDEBIDO DE LA INSTALACIÓN LA GARANTÍA QUEDARÁ ANULADA. NUNCA DEBE EXTRAER LA TAPA DE LA UNIDAD A MENOS QUE SE HAYA CORTADO ANTES LA ALIMENTACIÓN ELÉCTRICA.

ANTE CUALQUIER DUDA RELACIONADA CON LA INSTALACIÓN U OPERACIÓN DEL PRESENTE CALENTADOR DE AGUA O SI NECESITA CUALQUIER MANUAL DE INSTALACIÓN ADICIONAL, CONSULTE AL SERVICIO TÉCNICO EN EL NÚMERO 800-582-8423 (SÓLO EE.UU. Y CANADÁ) SI LLAMA DESDE FUERA DE LOS EE.UU. O CANADÁ LLAME AL NÚMERO DE LOS EE.UU. 413-247-3380 Y LE REMITIREMOS A UN REPRESENTANTE CUALIFICADO DE SERVICIO TÉCNICO STIEBEL ELTRON DE SU LOCALIDAD.

Leyenda de cifras

- 1 Botón de ajuste de temperatura
- 2 Escala de temperatura
- 2.1 Pantalla de temperatura
- 3 Luz de alimentación
- 4 Orificios ciegos para cables
- 5 Disparo de la protección térmica de seguridad
- 6 Sensor de temperatura de salida
- 7 Bloque de cableado
- 8 Unidad de control electrónica
- 9 Sistema de calefacción
- 10 Sensor de flujo
- 11 Válvula motorizada
- 12 Conexión de agua fría
- 13 Conexión de agua caliente
- 14 Válvula del circuito de agua caliente (izquierda)
- 15 Válvula del circuito de agua fría (derecha)
- 16 Sumidero
- 17 Tubería de suministro de agua para instalación con grifo

2 Generalidades



PELIGRO: AGUA CALIENTE CON TEMPERATURA MAYOR DE 125 °F / 52 °C PUEDE CAUSAR QUEMADURAS GRAVES DE ESCALDADURA INSTANTÁNEAMENTE Y/O LA MUERTE. EL RIESGO PARA QUEMADURAS DE ESCALDADURA EXISTE SI EL CONTROL DEL TERMOSTATO DE LA UNIDAD ESTA PUESTO EN UNA POSICIÓN DEMASIADO ALTA. HOGARES CON INFANTES, NIÑOS PEQUEÑOS, PERSONAS MINUSVÁLIDAS O ANCIANOS DEBEN OPTAR POR COLOCAR LA TEMPERATURA DE AGUA CALIENTE SALIENTE A MENOS DE 120 °F (49 °C) PARA EVITAR POSIBLES LESIONES POR QUEMADURA.

Las unidades TEMPRA y TEMPRA Plus han sido diseñadas para suministrar agua caliente para viviendas unifamiliares, apartamentos o determinadas aplicaciones comerciales. A diferencia del acumulador convencional, el calentador de agua sin depósito TEMPRAS no almacena agua caliente. En lugar de ello, el agua se calienta de forma instantánea a medida que pasa a través de la unidad. El TEMPRAS ofrece mayor rendimiento energético que los

calentadores de agua de almacenamiento, debido a la ausencia de pérdidas en stand-by y a unas longitudes menores de tubería de agua caliente.

La entrada de calor en el agua se controla electrónicamente. El TEMPRAS es capaz de proporcionar cualquier temperatura del agua entre 86 °F (30 °C) y 140 °F (60 °C). Ajuste la temperatura deseada utilizando el botón del panel delantero. El botón de ajuste de temperatura TEMPRA PLUS puede ajustarse en: OFF, 86 ... 140 °F (30 ... 60 °C). El TEMPRAS posee una escala en °F y °C. La temperatura de salida del TEMPRA Plus se muestra en la pantalla digital en °F o °C. (las unidades °F o °C pueden seleccionarse durante la instalación y de fábrica viene ajustada la unidad °F). La temperatura máxima está limitada electrónicamente a 140 °F (60 °C).

Se recomienda un ajuste de 108 °F (42 °C) a 116 °F (47 °C).

La temperatura de salida del TEMPRA Plus puede limitarse a 109 °F (43 °C).

Si el LED "Power" [alimentación] parpadea durante el funcionamiento de la unidad, el caudal de agua supera la capacidad de calefacción de la unidad. Reduzca el caudal de agua caliente para que la unidad alcance la temperatura de consigna.

Si tiene cualquier duda sobre la utilización del TEMPRAS llame a nuestro servicio técnico 800-582-8423 (EE.UU. y Canadá). Para recibir servicio técnico fuera de los EE. UU. y Canadá, llámenos en USA 413-247-3380. También puede enviarnos un e-mail a la dirección info@stiebel-eltron-usa.com o un fax a los EE. UU. 413-247-3369.

El TEMPRA puede utilizarse para las siguientes aplicaciones.

G 1 Instalación residencial típica

G 1 Instalación comercial típica

3 Montaje de la unidad



NOTA: LA UNIDAD DEBE ESTAR INSTALADA EN POSICIÓN VERTICAL CON LAS CONEXIONES DE AGUA MIRANDO HACIA ABAJO. NO INSTALE LA UNIDAD EN LUGARES EN LOS QUE PUEDA SUFRIR SALPICADURAS DE AGUA. PUEDE SUFRIR UNA ELECTROCUCIÓN.

PELIGRO: NO SE PUEDE INSTALAR LA UNIDAD EN UN SITIO DONDE HAY SALPICADURA DE AGUA. ES PARA EVITAR EL RIESGO DE POSIBLE DESCARGA ELECTRICA.

PRECAUCION IMPORTANTE: LA TUBERIA SALIENTE DE LA UNIDAD PUEDE ESTAR CALIENTE AL TOCARLA. LOS TUBOS CON UNA ALTURA DE 36 PULGADAS (90 CM) O MENOS TIENEN QUE SER RECUBIERTOS CON INSULACION TERMICA PARA EVITAR QUEMADURAS A LOS NIÑOS.

AVISO IMPORTANTE: NO SE PUEDE INSTALAR LA UNIDAD EN UN SITIO DONDE ESTE SUJETO A TEMPERATURAS MENORES DE CERO °C (32 °F). SI LA UNIDAD ESTA SUJETA A TEMPERATURAS QUE PERMITIRIAN LA CONGELACION DEL AGUA HAY QUE DRENAR LA UNIDAD ANTES QUE OCURRA TAL COSA. SI ESTO NO SE HACE EL CALENTADOR PIERDE LA GARANTIA.

HAY QUE INSTALAR LA UNIDAD DONDE SE EVITE QUE UNA POSIBLE FUGA DE AGUA DESDE LA UNIDAD O SUS CONEXIONES PUEDAN RESULTAR EN DAÑOS A LAS AREAS CONTIGUAS. SI NO ES POSIBLE TAL COLOCACION RECOMENDAMOS COLOCAR / INSTALAR DRENAJE POR DEBAJO DE LA UNIDAD.

1. Instale el TEMPRA lo más cerca posible de los puntos de suministro de agua caliente.
2. Instale el TEMPRA en una zona resguardada de la escarcha. Si se formara escarcha, extraiga la unidad antes de que se impongan las temperaturas de congelación.
3. Deje una distancia de separación mínima de 5" por todos los lados para poder realizar el mantenimiento sin problemas.
4. Extraiga el tornillo de la tapa con disco interruptor y abra la tapa **C**.

- Instale la unidad fijamente a la pared colocando al menos tres tornillos en los orificios de montaje **E** ① - ①. Los tornillos y los dispositivos de anclaje plásticos de pared para montar sobre mampostería o madera vienen incluidos.

4 Conexiones de agua

NOTA: UN CALOR DE SOLDADURA EXCESIVO SOBRE LAS TUBERÍAS DE COBRE JUNTO AL TEMPRA PODRÍA CAUSAR DAÑOS.

LA CONEXION DE AGUA FRIA A LA UNIDAD ESTA SUJETA A SER DESCONECTADA PERIODICAMENTE PAR PODER LIMPIAR EL PEQUEÑO FILTRO / MALLA QUE SE ENCUENTRA ADENTRO DE LA MISMA. SUGERIMOS UTILIZAR CONEXIONES, UNIONES DE TOPE Y MANGUERAS FLEXIBLES, RESISTENTES AL AGUA CALIENTE, QUE PERMITAN HACER TAL SERVICIO DE MANTENIMIENTO PREVENTIVO.

ATENCION: HAY QUE TOMAR EN CUENTA QUE LA INSTALACION DE LA UNIDAD EN LUGARES DONDE HAY "AGUA DURA" O AGUA CON UN ALTO CONTENIDO DE MINERALES SE TOMA UN RIESGO DE DAÑAR LOS COMPONENTES INTERNOS DE LA UNIDAD POR INCRUSTACIONES. EN TALES SITUACIONES LA GARANTIA NO SE CONSIDERA VALIDA.

- Todos los trabajos de fontanería deben cumplir la normativa nacional, regional y local en materia de fontanería.
- Si la presión de suministro de agua fría supera los 150 PSI (10 bar) deberá instalarse una válvula reductora de presión.
- Asegúrese de que la tubería de suministro de agua caliente se ha enjuagado para eliminar cualquier tipo de residuos y suciedad.
- D** Asimismo, el TEMPRA dispone de una pantalla de filtrado integrada ① que debe limpiarse periódicamente. Lave la pantalla y vuelva a colocar la pantalla y la arandela ① en su posición original.
La conexión de agua fría a la unidad esta sujeta a ser desconectada periódicamente par poder limpiar el pequeño filtro / malla que se encuentra adentro de la misma. Sugerimos utilizar conexiones, uniones de tope y mangueras flexibles, resistentes al agua caliente, que permitan hacer tal servicio de mantenimiento preventivo.
- La conexión de agua fría (entrada) se encuentra a la derecha de la unidad y la conexión de agua caliente (salida) a la izquierda de la unidad.
- Los calentadores de agua sin depósito, como el TEMPRA, no necesitan estar equipados con una Válvula de Alivio de Presión y Temperatura (P&T). Si el inspector local no pasa la instalación sin una válvula P&T, ésta debe instalarse en el lado de salida de agua caliente de la unidad.
- El TEMPRA está diseñado para establecer una conexión en tuberías de cobre o un tubo flexible trenzado de acero inoxidable de PEX con rosca hembra autorroscante de 3/4" NPT.

Si es necesario realizar cualquier trabajo de soldadura cerca de la unidad dirija la llama apartándola de la carcasa de la unidad para evitar que se produzcan daños.

- Una vez realizados todos los trabajos de fontanería, revise la instalación para comprobar si existen fugas y tome medidas correctivas antes de comenzar a utilizar la unidad.

5 Conexión eléctrica

ADVERTENCIA: ANTES DE REALIZAR CUALQUIER TRABAJO EN LA INSTALACIÓN ELÉCTRICA ASEGÚRESE DE QUE LOS INTERRUPTORES DEL PANEL DEL INTERRUPTOR AUTOMÁTICO PRINCIPAL ESTÁN APAGADOS PARA EVITAR CUALQUIER PELIGRO DE ELECTROCUCIÓN. TODOS LOS TRABAJOS DE MONTAJE Y FONTANERÍA DEBEN REALIZARSE ANTES DE REALIZAR LA CONEXIÓN ELÉCTRICA. SIEMPRE QUE SEA NECESARIO DEBIDO A LA NORMATIVA ELÉCTRICA REGIONAL O NACIONAL, LOS CIRCUITOS DEBEN EQUIPARSE CON UN INTERRUPTOR DE FALLAS A TIERRA.

- Todos los trabajos en la instalación eléctrica deben cumplir la normativa nacional, regional y local en materia de electrotecnia.
- H** El TEMPRA debe conectarse a circuitos en ramificación separados y adecuadamente conectados a tierra que cuenten con las especificaciones técnicas adecuadas. La conexión a tierra debe ajustarse en "Ground" del panel del interruptor automático.

TEMPRA 12 B/Plus: Estas unidades pueden conectarse a un único circuito. Utilice un cable de suministro protegido por un interruptor de doble polo (consulte ②).

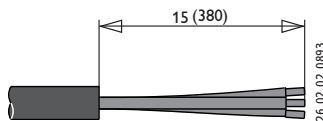
Los TEMPRA 15 a 36 deben contar con varias fuentes de alimentación.

TEMPRA 15, 20 o 24 B/Plus: Estas unidades requieren dos circuitos independientes. Utilice dos cables de suministro protegidos por dos interruptores de doble polo separados (consulte ②).

TEMPRA 29 o 36 Plus Estas unidades requieren tres circuitos independientes. Utilice tres cables de suministro protegidos por tres interruptores de doble polo separados (consulte ②).

Consulte la tabla de datos técnicos para obtener el tamaño correcto del cableado y del interruptor automático. En cualquier caso, asegúrese de que la unidad está correctamente conectada a tierra.

- Corte el cable de conexión eléctrica para adecuar su longitud y pélelo.



- El cable debe pasarse a través de los orificios ciegos ubicados entre las conexiones de agua caliente y de agua fría **A**, **H** ①. Los cables energizados deben conectarse a las ranuras del bloque de terminales y marcarse como L1 y L2. El cable de conexión a tierra debe conectarse a la ranura marcada con el símbolo de tierra (consulte **I**).

ADVERTENCIA: AL IGUAL QUE SUCEDE CON CUALQUIER OTRO ELECTRODOMÉSTICO, SI LA CONEXIÓN A TIERRA NO SE REALIZA PUEDEN PRODUCIRSE LESIONES GRAVES O INCLUSO LA MUERTE.

6 Ajustes iniciales

- F** ① Selección de unidades °F o °C
- Ajuste el interruptor instantáneo en la placa de circuito impreso en °F o °C.
- F** ① Limitador de temperatura
La temperatura del TEMPRA PLUS puede limitarse a 109 °F (43 °C) ajustando el interruptor instantáneo en la posición Tred (temperatura reducida).

7 Puesta en servicio del calentador de agua

ADVERTENCIA: ABRA EL GRIFO DE AGUA CALIENTE DURANTE UNOS MINUTOS HASTA QUE EL CAUDAL SALGA DE FORMA CONTINUADA Y TODO EL AIRE SE HAYA PURGADO DE LAS TUBERÍAS DE AGUA. LA TAPA DE LA UNIDAD DEBE INSTALARSE ANTES DE ENCENDER LOS INTERRUPTORES AUTOMÁTICOS.

- Cierre la tapa y fjela utilizando el tornillo con disco interruptor.
- Encienda los interruptores automáticos para proporcionar alimentación a la unidad.
- Gire el selector de temperatura a derechas y a izquierdas para calibrar el transductor de valor de ajuste.
- Ajuste la temperatura del agua hasta el nivel deseado utilizando el botón del panel delantero de la unidad.
- Encienda el agua caliente y espere durante veinte segundos hasta que la temperatura se haya estabilizado.
- Compruebe la temperatura del agua con la mano y asegúrese de que no está demasiado caliente. Reduzca la temperatura si fuera necesario.
- Explique al usuario el funcionamiento de la unidad para que se familiarice con su uso. Avise al usuario sobre los posibles peligros existentes (temperatura del agua caliente hasta 140 °F / 60 °C). Entregue estas instrucciones con el fin de que sean archivadas para futuras consultas.

8 Mantenimiento normal

Los calentadores de agua sin depósito STIEBEL ELTRON TEMPRA han sido diseñados para alcanzar una larga vida útil. La esperanza de vida útil varía en función de la calidad del agua y del uso. La propia unidad no requiere ningún tipo de mantenimiento periódico. Sin embargo, para asegurar un caudal consistente se recomienda eliminar las acumulaciones de cal y suciedad que pueden formarse en el aireador del grifo o grifos o en el cabezal de ducha.

ADVERTENCIA: EL TEMPRA NO CONTIENE NINGÚN COMPONENTE QUE REQUIERA MANTENIMIENTO POR PARTE DEL USUARIO. SI SE PRODUCE CUALQUIER AVERÍA AVISE A UN FONTANERO O ELECTRICISTA AUTORIZADO.

9 Datos técnicos

Modelo		TEMPRA 12 B TEMPRA 12 Plus	TEMPRA 15 B TEMPRA 15 Plus	TEMPRA 20 B TEMPRA 20 Plus	TEMPRA 24 B TEMPRA 24 Plus	TEMPRA 29 Plus	TEMPRA 36 Plus
Fase		1	1	1	1	1	1
Voltaje	V	208 240	208 240	208 240	208 240	208 240	208 240
Potencia	kW	9 12	10.8 14.4	14.4 19.2	18 24	21.6 28.8	27 36
Amperaje máx.	A	44 50	2 x 26 2 x 30	2 x 35 2 x 40	2 x 44 2 x 50	3 x 35 3 x 40	3 x 44 3 x 50
Tam. mín. requerido para interruptor automát.	A	60 60	2 x 40 2 x 40	2 x 50 2 x 50	2 x 60 2 x 60	3 x 50 3 x 50	3 x 60 3 x 60
Tamaño de cable requerido	AWG COBRE	6 6	2 x 8 2 x 8	2 x 8 2 x 8	2 x 6 2 x 6	3 x 8 3 x 8	3 x 6 3 x 6
Temperatura de entrada máx.	°F (°C)	131 (55)					
Caudal de agua mín. para act. unidad	≥ GPM (≥ l/min)	0.37 (1.4)	0.58 (2.2)	0.58 (2.2)	0.58 (2.2)	0.87 (3.3)	0.87 (3.3)
Caudal de agua nominal	GAL (l)	0.13 (0.5)	0.26 (1.0)	0.26 (1.0)	0.26 (1.0)	0.39 (1.5)	0.39 (1.5)
Presión de trabajo, máx.	PSI (bar)	150 (10)					
Sometido a prueba de alta presión	PSI (bar)	300 (20)					
Peso	lbs. (kg)	13.2 (6.1)	15.4 (7.3)	15.4 (7.3)	15.4 (7.3)	17.6 (8.6)	17.6 (8.6)
Dimensiones							
altura	pulgada (mm)	14 1/2 (369)					
fondo		4 5/8 (117)					
ancho		16 5/8 (420)					
Conexiones de agua	NPT	3/4"					

- Los calentadores de agua sin depósito se consideran una carga no continua
- Los conductores deberían estar dimensionados para mantener una caída de presión de menos del 3% sometidos a carga

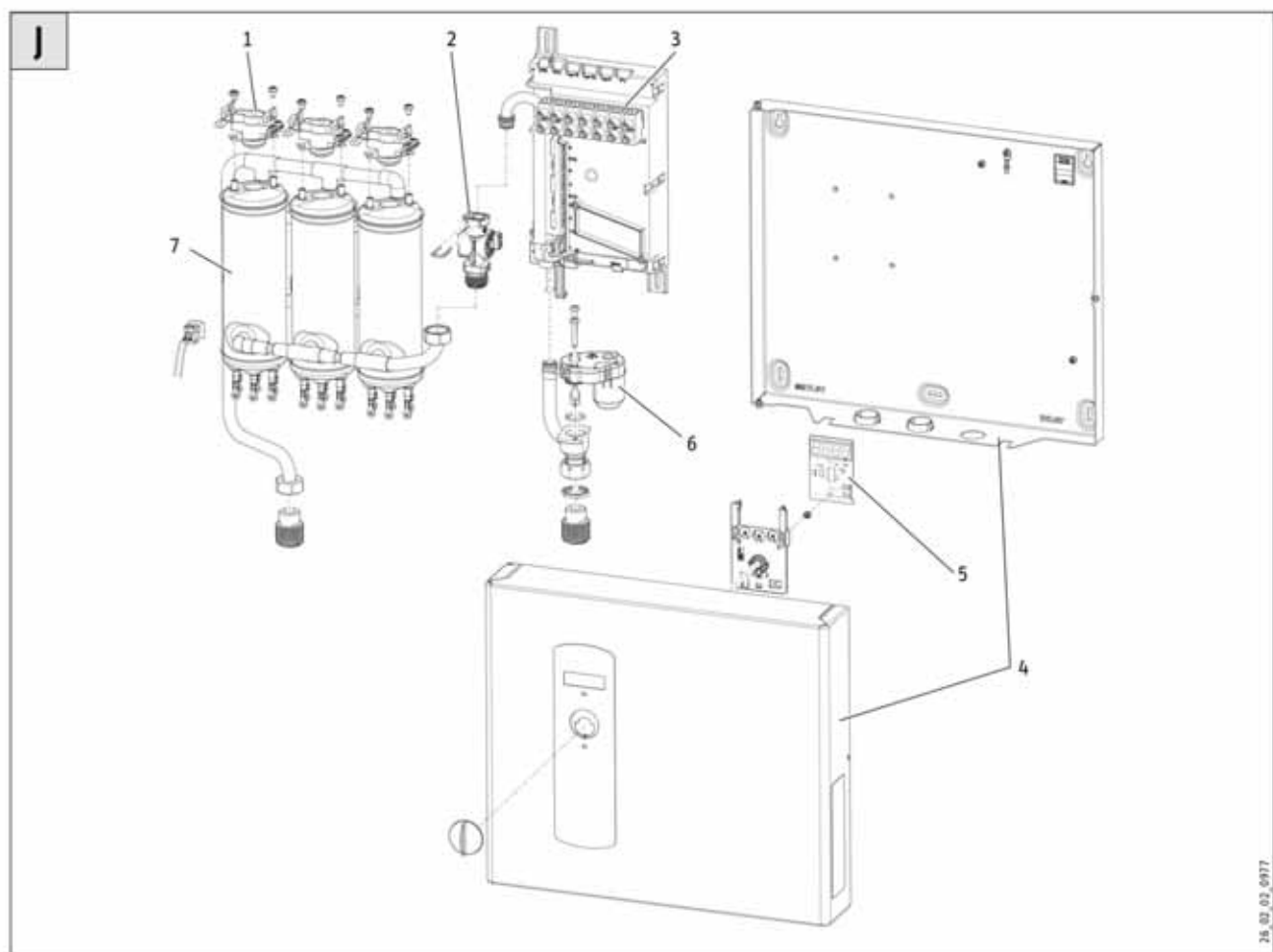
10 Solución de problemas

Síntoma	Causa posible	Solución
No hay agua caliente	<ul style="list-style-type: none"> - interruptores automáticos apagados - protección térmica disparada - caudal insuficiente para activar la unidad 	<ul style="list-style-type: none"> - encienda los interruptores automáticos - restaure la protección térmica - limpie la pantalla del filtro en la unidad - limpie el aireador o cabezal de la ducha
No hay suficiente agua caliente	<ul style="list-style-type: none"> - pantalla del filtro obstruida 	<ul style="list-style-type: none"> - limpie la pantalla del filtro en la unidad
El agua no está suficientemente caliente	<ul style="list-style-type: none"> - caudal de agua demasiado elevada - voltaje demasiado bajo 	<ul style="list-style-type: none"> - reduzca el caudal de agua hasta que la luz del panel delantero deje de parpadear - suministre la tensión adecuada a la unidad

If you are not able to resolve a problem please contact us toll free at 800-582-8423 before removing the unit from the wall. STIEBEL ELTRON is happy to provide technical assistance. In most instances, we can resolve the problem over the phone.

11 Repuestos

Modelo	Repuestos No.						
J	1	2	3	4	5	6	7
	Disparo de la protección térmica de seguridad	Sensor de flujo	Unidad de control electrónica	Carcasa	Electrónico ajustador del valor de referencia	Valvula motorizada	Sistema de calefacción
TEMPRA 12 B	286369	286461	286366	286356	286359	---	286360
TEMPRA 15 B	286369	286461	286844	286356	286359	---	286361
TEMPRA 20 B	286369	286461	286844	286356	286359	---	286362
TEMPRA 24 B	286369	286461	286367	286356	286359	---	286364
TEMPRA 12 Plus	286369	286461	286375	286370	286372	220502	286360
TEMPRA 15 Plus	286369	286461	286845	286370	286372	220502	286361
TEMPRA 20 Plus	286369	286461	286845	286370	286372	220502	286362
TEMPRA 24 Plus	286369	286461	286376	286370	286372	220502	286364
TEMPRA 29 Plus	286369	286461	286378	286370	286372	220502	286373
TEMPRA 36 Plus	286369	286461	286379	286370	286372	220502	286374



28.03.02.0177

Informations générales

Veillez lire ce manuel dans son intégralité. Le non-respect des directives contenues dans les guides, les instructions et les règlements pourrait entraîner des dégâts matériels ou des blessures. Des installations, réglages, modifications, entretiens et utilisations non conformes de cet appareil pourraient provoquer des blessures graves.

Cet appareil doit être installé par un électricien et un plombier agréés. L'installation doit se faire conformément aux codes de l'électricité et de la plomberie en vigueur au niveau national, provincial et local. Il incombe à l'installateur de veiller à ce que l'installation soit faite correctement. Le non-respect des directives d'installation et du mode d'emploi, ou une utilisation incorrecte aura pour effet d'annuler la garantie.

Conserver ces instructions pour consultation ultérieure. L'installateur doit laisser ces instructions au consommateur.

Pour toute question relative à l'installation, l'utilisation ou le fonctionnement de ce chauffe-eau, ou si vous avez besoin de manuels d'installation supplémentaire, veuillez vous adresser à notre service technique en composant le (800) 582-8423 (Canada et États-Unis uniquement). Si vous appelez depuis un pays autre que le Canada ou les États-Unis, veuillez composer le USA 413-247-3380 et nous vous mettrons en contact avec un centre d'entretien Stiebel Eltron agréé situé dans votre région.



SYMBOLE D'ALERTE À LA SÉCURITÉ. IL SERT À VOUS AVERTIR QU'IL EXISTE UN DANGER DE BLESSURE POTENTIEL. RESPECTEZ TOUS LES MESSAGES RELATIFS À LA SÉCURITÉ MENTIONNÉS APRÈS CE SYMBOLE POUR ÉVITER LA POSSIBILITÉ DE BLESSURE, VOIRE DE DÉCÈS.

S1 Mesures de sécurité



VEUILLEZ LIRE ET RESPECTER CES INSTRUCTIONS. LE NON-RESPECT DE CES INSTRUCTIONS POURRAIT ENTRAÎNER DES BLESSURES GRAVES, VOIRE MORTELLES.

CET APPAREIL DOIT ÊTRE INSTALLÉ PAR UN ÉLECTRICIEN ET UN PLOMBIER AGRÉÉS. L'INSTALLATION DOIT SE FAIRE CONFORMÉMENT AUX CODES DE L'ÉLECTRICITÉ ET DE LA PLOMBERIE EN VIGUEUR AU NIVEAU NATIONAL, PROVINCIAL ET LOCAL.

CONFIEZ L'ENTRETIEN DE CET APPAREIL À UN CENTRE D'ENTRETIEN AGRÉÉ.

AVANT DE PROCÉDER À TOUTE OPÉRATION D'INSTALLATION, DE RÉGLAGE, DE MODIFICATION OU D'ENTRETIEN DE CET APPAREIL, COUPEZ TOUS LES DISJONCTEURS ET LES INTERRUPTEURS DE SECTIONNEMENT. LE NON-RESPECT DE CETTE DIRECTIVE POURRAIT ENTRAÎNER DES BLESSURES GRAVES, VOIRE MORTELLES.

NE RETIREZ JAMAIS LE COUVERCLE DE L'APPAREIL À MOINS D'AVOIR COUPÉ L'ALIMENTATION ÉLECTRIQUE DE L'APPAREIL. LE NON-RESPECT DE CETTE DIRECTIVE POURRAIT ENTRAÎNER DES BLESSURES GRAVES, VOIRE MORTELLES.

CET APPAREIL DOIT ÊTRE MIS À LA TERRE CORRECTEMENT. LE NON-RESPECT DES PROCÉDURES CORRECTES DE MISE À LA TERRE POURRAIT ENTRAÎNER DES BLESSURES GRAVES, VOIRE MORTELLES.

DANGER: LES TEMPÉRATURES DE L'EAU SUPÉRIEURES À 52 °C (125 °F) PEUVENT PROVOQUER DES BRÛLURES GRAVES INSTANTANÉES, VOIRE MORTELLES EN CAS D'ÉCHAUDAGE. LE RISQUE D'ÉCHAUDAGE PAR L'EAU TRÈS CHAUDE EXISTE SI LE THERMOSTAT DE L'APPAREIL EST RÉGLÉ À UNE TEMPÉRATURE TROP ÉLEVÉE. DANS LE CAS DE RÉSIDENCES AVEC DE JEUNES ENFANTS, DES PERSONNES HANDICAPÉES OU ÂGÉES, IL EST FORTEMENT CONSEILLÉ DE RÉGLER LE THERMOSTAT À 49 °C (120 °F) OU MOINS POUR ÉVITER LA POSSIBILITÉ DE BLESSURES PROVOQUÉES PAR L'EAU TRÈS CHAUDE.

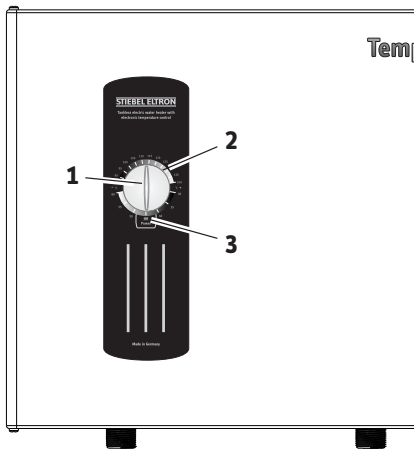
1 Tableau indiquant montée en température au-dessus de la température d'eau ambiante

Maximum temperature increase above ambient water temperature

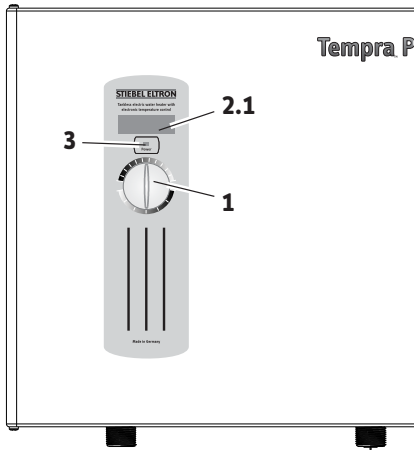
Débit d'eau chaude			GPM						l/min					
Température de sortie d'eau chaude			105 °F						40 °C					
Température d'entrée d'eau froide									°F°C					
			39	59	77	95	113	131	4	15	25	35	45	55
TEMPRA 12 B / TEMPRA 12 Plus	@ 208 V	9 kW	0,95	1,36	2,27	6,61			3,58	5,16	8,59	25,00		
	@ 220 - 240 V	12 kW	1,26	1,82	3,03	6,61			4,77	6,87	11,46	25,00		
TEMPRA 15 B / TEMPRA 15 Plus	@ 208 V	10,8 kW	1,14	1,63	2,72	6,61			4,30	6,19	10,31	25,00		
	@ 220 - 240 V	14,4 kW	1,51	2,18	3,63	6,61			5,73	8,25	13,75	25,00		
TEMPRA 20 B / TEMPRA 20 Plus	@ 208 V	14,4 kW	1,51	2,18	3,63	6,61			5,73	8,25	13,75	25,00		
	@ 220 - 240 V	19,2 kW	2,02	2,91	4,84	6,61			7,64	11,00	18,33	25,00		
TEMPRA 24 B / TEMPRA 24 Plus	@ 208 V	18 kW	1,89	2,72	4,54	6,61			7,16	10,31	17,18	25,00		
	@ 220 - 240 V	24 kW	2,52	3,63	6,05	6,61			9,55	13,75	22,91	25,00		
TEMPRA 29 Plus	@ 208 V	21,6 kW	2,27	3,27	5,45	6,61			8,59	12,37	20,62	25,00		
	@ 220 - 240 V	28,8 kW	3,03	4,36	6,61	6,61			11,46	16,50	25,00	25,00		
TEMPRA 36 Plus	@ 208 V	27 kW	2,84	4,09	6,61	6,61			10,74	15,47	25,00	25,00		
	@ 220 - 240 V	36 kW	3,78	5,45	6,61	6,61			14,32	20,62	25,00	25,00		

Température de sortie d'eau chaude			113 °F						45 °C					
Température d'entrée d'eau froide									°F°C					
			39	59	77	95	113	131	4	15	25	35	45	55
TEMPRA 12 B / TEMPRA 12 Plus	@ 208 V	9 kW	0,83	1,14	1,70	3,41	6,61		3,14	4,30	6,44	12,89	25,00	
	@ 220 - 240 V	12 kW	1,11	1,51	2,27	4,54	6,61		4,19	5,73	8,59	17,18	25,00	
TEMPRA 15 B / TEMPRA 15 Plus	@ 208 V	10,8 kW	1,00	1,36	2,04	4,09	6,61		3,77	5,16	7,73	15,47	25,00	
	@ 220 - 240 V	14,4 kW	1,33	1,82	2,72	5,45	6,61		5,03	6,87	10,31	20,62	25,00	
TEMPRA 20 B / TEMPRA 20 Plus	@ 208 V	14,4 kW	1,33	1,82	2,72	5,45	6,61		5,03	6,87	10,31	20,62	25,00	
	@ 220 - 240 V	19,2 kW	1,77	2,42	3,63	6,61	6,61		6,71	9,16	13,75	25,00	25,00	
TEMPRA 24 B / TEMPRA 24 Plus	@ 208 V	18 kW	1,66	2,27	3,41	6,61	6,61		6,29	8,59	12,89	25,00	25,00	
	@ 220 - 240 V	24 kW	2,21	3,03	4,54	6,61	6,61		8,38	11,46	17,18	25,00	25,00	
TEMPRA 29 Plus	@ 208 V	21,6 kW	1,99	2,72	4,09	6,61	6,61		7,54	10,31	15,47	25,00	25,00	
	@ 220 - 240 V	28,8 kW	2,66	3,63	5,45	6,61	6,61		10,06	13,75	20,62	25,00	25,00	
TEMPRA 36 Plus	@ 208 V	27 kW	2,49	3,41	5,11	6,61	6,61		9,43	12,89	19,33	25,00	25,00	
	@ 220 - 240 V	36 kW	3,32	4,54	6,61	6,61	6,61		12,57	17,18	25,00	25,00	25,00	

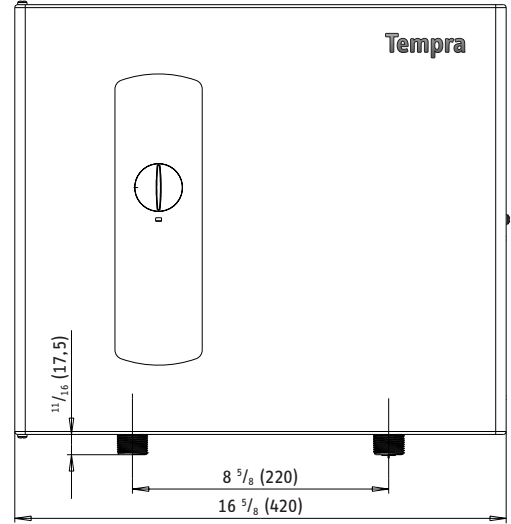
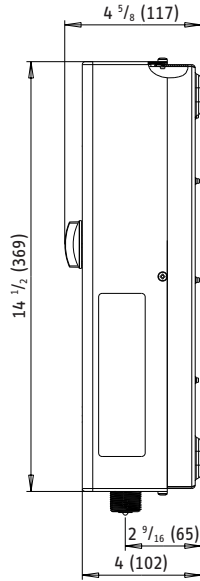
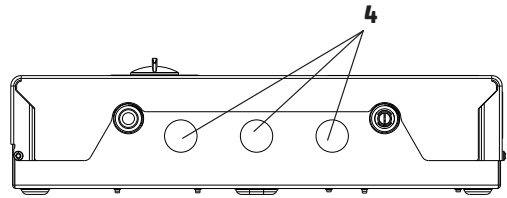
Température de sortie d'eau chaude			140 °F						60 °C					
Température d'entrée d'eau froide									°F°C					
			39	59	77	95	113	131	4	15	25	35	45	55
TEMPRA 12 B / TEMPRA 12 Plus	@ 208 V	9 kW	0,61	0,76	0,97	1,36	2,27	6,61	2,30	2,86	3,68	5,16	8,59	25,00
	@ 220 - 240 V	12 kW	0,81	1,01	1,30	1,82	3,03	6,61	3,07	3,82	4,91	6,87	11,46	25,00
TEMPRA 15 B / TEMPRA 15 Plus	@ 208 V	10,8 kW	0,73	0,91	1,17	1,63	2,72	6,61	2,76	3,44	4,42	6,19	10,31	25,00
	@ 220 - 240 V	14,4 kW	0,97	1,21	1,56	2,18	3,63	6,61	3,68	4,58	5,89	8,25	13,75	25,00
TEMPRA 20 B / TEMPRA 20 Plus	@ 208 V	14,4 kW	0,97	1,21	1,56	2,18	3,63	6,61	3,68	4,58	5,89	8,25	13,75	25,00
	@ 220 - 240 V	19,2 kW	1,30	1,61	2,08	2,91	4,84	6,61	4,91	6,11	7,86	11,00	18,33	25,00
TEMPRA 24 B / TEMPRA 24 Plus	@ 208 V	18 kW	1,22	1,51	1,95	2,72	4,54	6,61	4,60	5,73	7,36	10,31	17,18	25,00
	@ 220 - 240 V	24 kW	1,62	2,02	2,59	3,63	6,05	6,61	6,14	7,64	9,82	13,75	22,91	25,00
TEMPRA 29 Plus	@ 208 V	21,6 kW	1,46	1,82	2,33	3,27	5,45	6,61	5,52	6,87	8,84	12,37	20,62	25,00
	@ 220 - 240 V	28,8 kW	1,95	2,42	3,11	4,36	6,61	6,61	7,36	9,16	11,78	16,50	25,00	25,00
TEMPRA 36 Plus	@ 208 V	27 kW	1,82	2,27	2,92	4,09	6,61	6,61	6,90	8,59	11,05	15,47	25,00	25,00
	@ 220 - 240 V	36 kW	2,43	3,03	3,89	5,45	6,61	6,61	9,21	11,46	14,73	20,62	25,00	25,00

A**TEMPRA 12 - 24 B**

Temp

TEMPRA 12 - 36 Plus

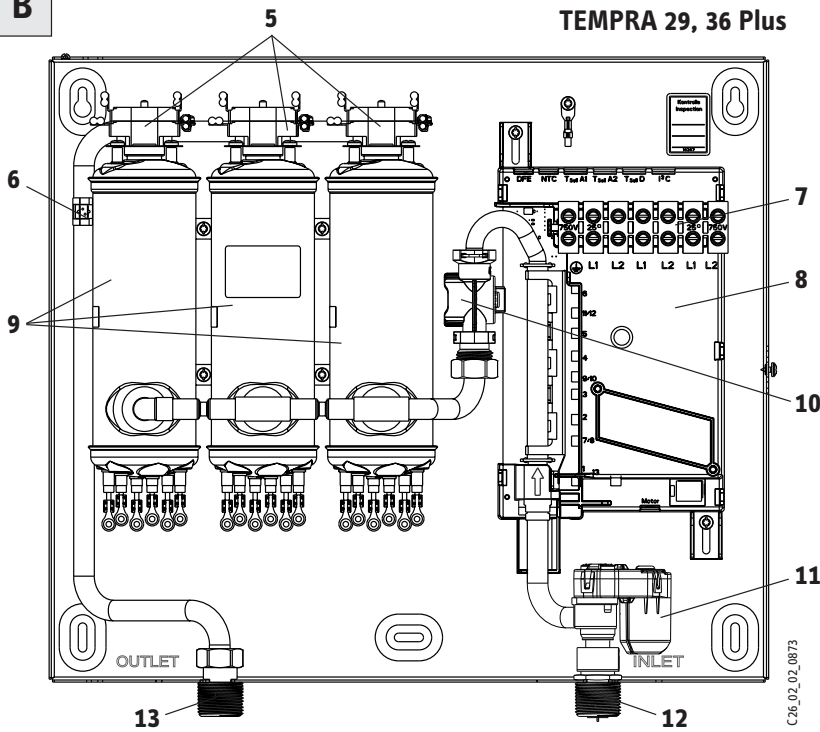
Tempra F



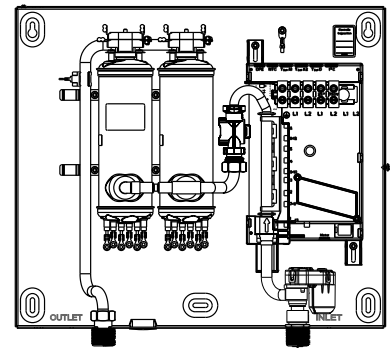
C26_02_02_0875

C26_02_02_0874

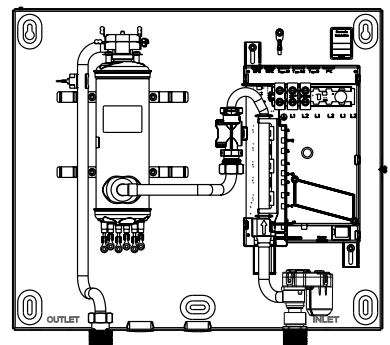
Français

B**TEMPRA 29, 36 Plus**

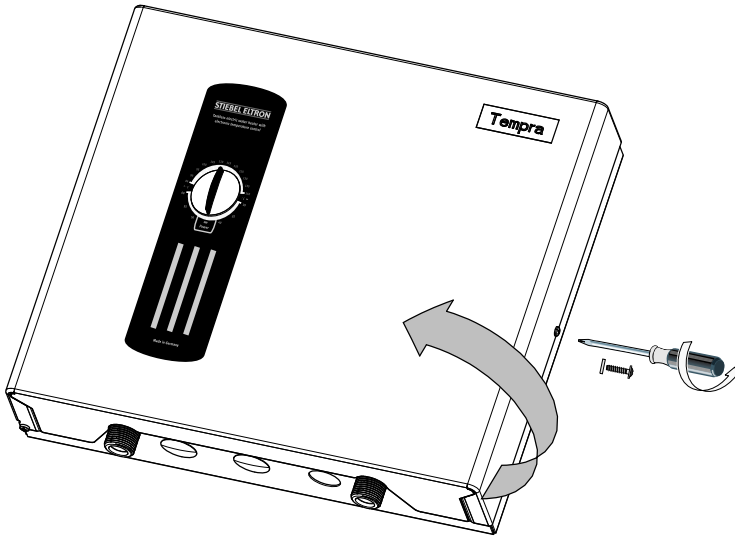
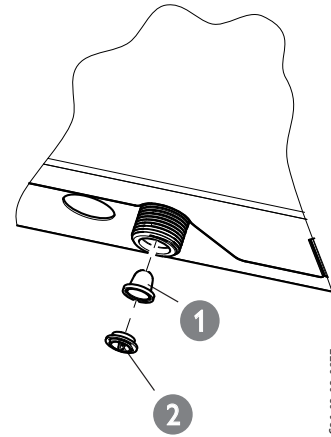
C26_02_02_0873

**TEMPRA 15, 20, 24 B
TEMPRA 15, 20, 24 Plus**

C26_02_02_0873

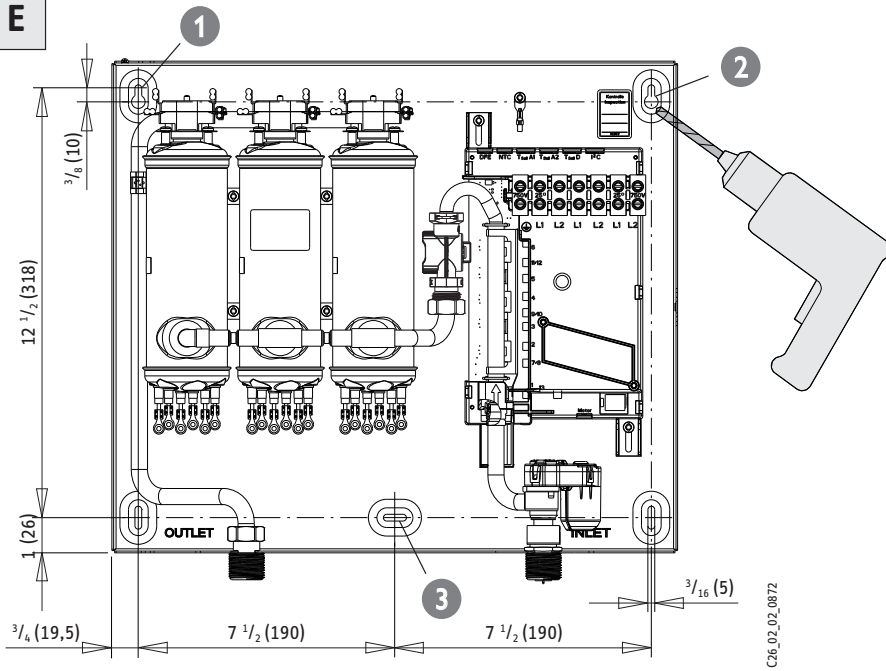
TEMPRA 12 B/TEMPRA 12 Plus

C26_02_02_0873

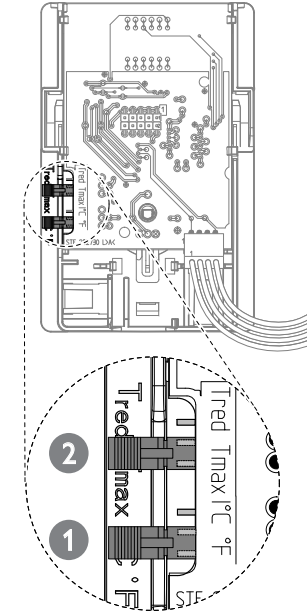
C**D**

26.02.02_0876

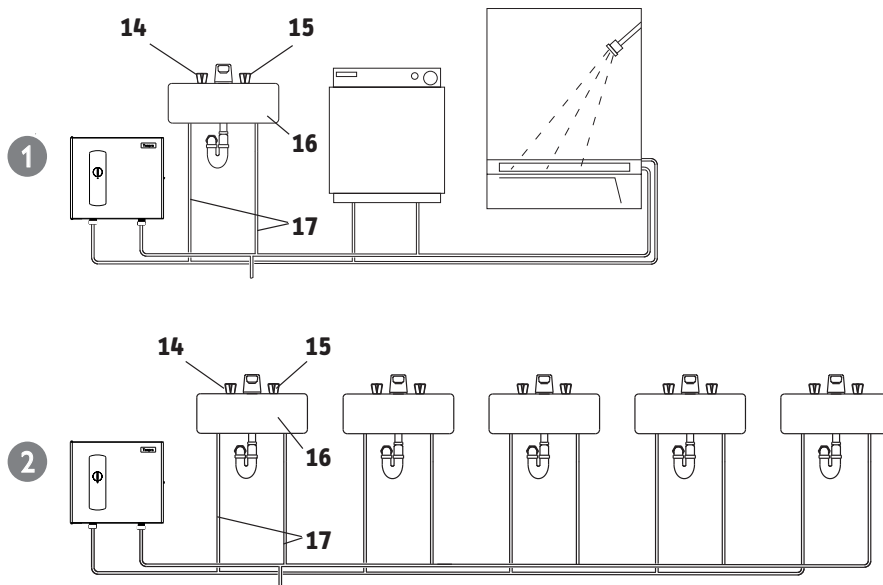
C26.02.02_0877

E

C26.02.02_0872

F

C26.02.02_0940

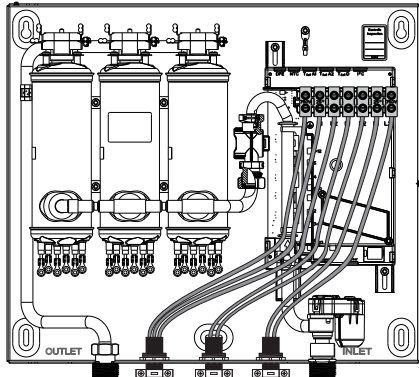
G

C26.02.02_0878

H

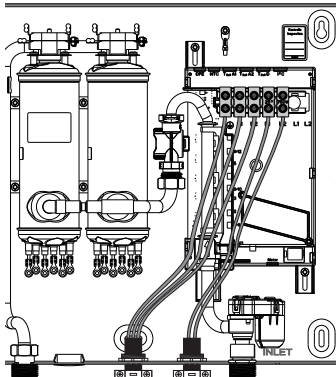
TEMPRA 29, 36 Plus

1



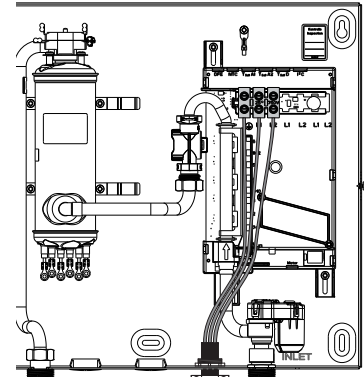
CKT 1 CKT 2 CKT 3

**TEMPRA 15, 20, 24 B
TEMPRA 15, 20, 24 Plus**



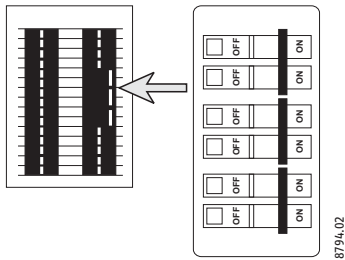
CKT 1 CKT 2

**TEMPRA 12 B
TEMPRA 12 Plus**

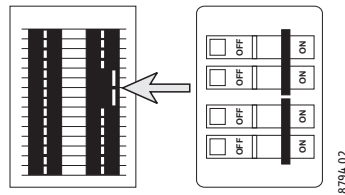


CKT 1

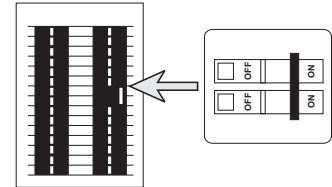
2



8794.02



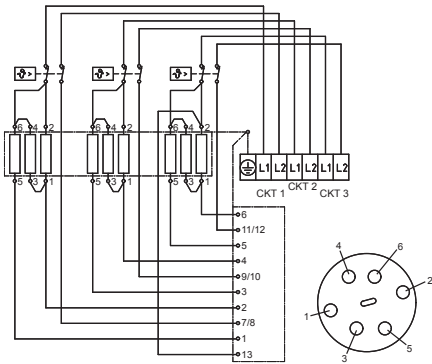
8794.02



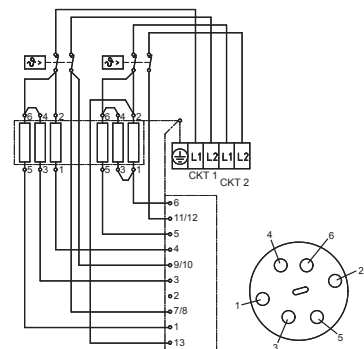
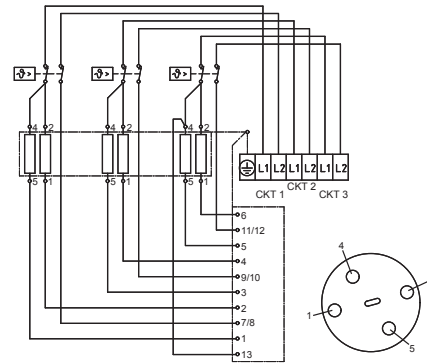
8794.02

I

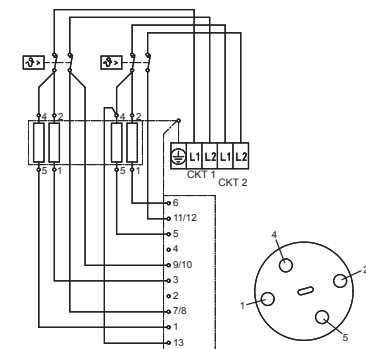
TEMPRA 36 Plus



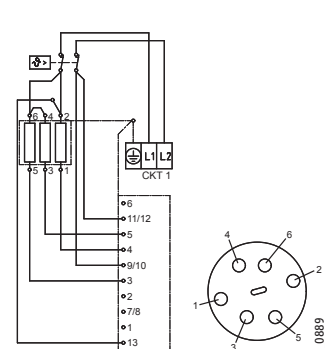
TEMPRA 29 Plus



**TEMPRA 24 B
TEMPRA 24 Plus**



**TEMPRA 15/20 B
TEMPRA 15/20 Plus**



**TEMPRA 12 B
TEMPRA 12 Plus**

26.02.02_0889

CE MANUEL DOIT ÊTRE LU ATTENTIVEMENT AVANT DE PROCÉDER AU MONTAGE DU CHAUFFE-EAU TEMPRA. SI VOUS NE RESPECTEZ PAS LES CONSIGNES DE SÉCURITÉ OU LES INSTRUCTIONS EXPOSÉES DANS CE MANUEL, L'APPAREIL RISQUE DE NE PAS FONCTIONNER CORRECTEMENT ET DE CAUSER DES DOMMAGES MATÉRIELS, DES LÉSIONS CORPORELLES GRAVES ET/OU MORTELLES.

STIEBEL ELTRON, INC. DÉCLINE TOUTE RESPONSABILITÉ POUR DES DOMMAGES CONSÉCUTIFS À UN NON-RESPECT DES INSTRUCTIONS DE MONTAGE ET D'UTILISATION EXPOSÉES DANS CE MANUEL OU RÉSULTANT D'UNE UTILISATION NON CONFORME. PAR UTILISATION NON CONFORME; IL FAUT ENTENDRE AUSSI L'UTILISATION DE CET APPAREIL POUR CHAUFFER DES LIQUIDES AUTRES QUE DE L'EAU. LE NON-RESPECT DES INSTRUCTIONS DE MONTAGE ET D'UTILISATION OU UNE UTILISATION NON CONFORME ANNULE LA GARANTIE. NE JAMAIS ÔTER LE CAPOT DE L'APPAREIL LORSQUE CELUI-CI EST SOUS TENSION ÉLECTRIQUE.

SI VOUS AVEZ DES QUESTIONS RELATIVES AU MONTAGE OU AU FONCTIONNEMENT DE CE CHAUFFE-EAU OU SI VOUS SOUHAITEZ RECEVOIR UN MANUEL D'INSTALLATION SUPPLÉMENTAIRE, VEUILLEZ CONTACTER NOTRE SERVICE TECHNIQUE AU 800-582-8423 (ÉTATS-UNIS ET CANADA SEULEMENT). SI VOUS N'APPELEZ PAS DES ÉTATS-UNIS OU DU CANADA, VEUILLEZ COMPOSER LE NUMÉRO 413-247-3380 PRÉCÉDÉ DU PRÉFIXE POUR LES ÉTATS-UNIS. NOUS VOUS COMMUNIQUERONS LES COORDONNÉES D'UN TECHNICIEN D'ENTRETIEN STIEBEL ELTRON QUALIFIÉ DANS VOTRE RÉGION.

Légende des figures

- 1 Bouton de réglage de la température
- 2 Echelle de température
- 2.1 Afficheur de température
- 3 Témoin Power (alimentation)
- 4 Prédécoupes défonçables pour câbles
- 5 Interrupteur thermique de sécurité
- 6 Sortie du capteur thermométrique
- 7 Bloc de connexion
- 8 Unité de commande électronique
- 9 Système de chauffage
- 10 Capteur de débit
- 11 Vanne motorisée
- 12 Raccord d'eau froide
- 13 Raccord d'eau chaude
- 14 Robinet d'eau chaude (gauche)
- 15 Robinet d'eau froide (droite)
- 16 Evier
- 17 Tuyauterie d'arrivée d'eau pour branchement au robinet

2 Généralités

⚠ DANGER: LES TEMPÉRATURES DE L'EAU SUPÉRIEURES À 52 °C (125 °F) PEUVENT PROVOQUER DES BRÛLURES GRAVES INSTANTANÉES, VOIRE MORTELLES EN CAS D'ÉCHAUDAGE. LE RISQUE D'ÉCHAUDAGE PAR L'EAU TRÈS CHAUDE EXISTE SI LE THERMOSTAT DE L'APPAREIL EST RÉGLÉ À UNE TEMPÉRATURE TROP ÉLEVÉE. DANS LE CAS DE RÉSIDENCES AVEC DE JEUNES ENFANTS, DES PERSONNES HANDICAPÉES OU ÂGÉES, IL EST FORTEMENT CONSEILLÉ DE RÉGLER LE THERMOSTAT À 49 °C (120 °F) OU MOINS POUR ÉVITER LA POSSIBILITÉ DE BLESSURES PROVOQUÉES PAR L'EAU TRÈS CHAUDE.

Les appareils TEMPRA et TEMPRA Plus ont été conçus pour la production d'eau chaude dans une maison, un appartement ou pour répondre à certaines applications commerciales. Contrairement à un chauffe-eau conventionnel à accumulateur incorporé, le chauffe-eau TEMPRA sans réservoir ne stocke pas d'eau chaude mais la chauffe instantanément au fur et à mesure qu'elle s'écoule de l'appareil. Le

chauffe-eau TEMPRA offre un meilleur rendement énergétique qu'un chauffe-eau à accumulateur en raison de l'absence des pertes à vide et de la réduction des tuyauteries d'eau chaude.

Le chauffage de l'eau est commandé électroniquement. Les TEMPRA fournissent de l'eau à des températures comprises entre 86 °F (30 °C) et 140 °F (60 °C). Réglez la température désirée avec le bouton de réglage qui se trouve sur la face avant. Le bouton de réglage de la température du TEMPRA PLUS peut être réglé sur : ARRET, de 86 à 140 °F (de 30 à 60 °C). Le TEMPRA possède une échelle de température en degrés °F et °C. La température de prélèvement d'eau du TEMPRA Plus est indiquée en degrés °F ou °C sur l'afficheur numérique. (Vous pouvez sélectionner l'unité de température °F ou °C en cours d'installation, réglages d'usine : °F). La température maximale est limitée électroniquement à 140 °F (60 °C).

Un réglage sur 108 °F (42 °C) à 116 °F (47 °C) est recommandé.

La température de prélèvement du TEMPRA Plus peut être limitée à 109 °F (43 °C).

Si la LED « Power » (marche) clignote lorsque l'appareil fonctionne, le débit d'eau dépasse la capacité de chauffage de l'appareil. Réduisez le débit d'eau chaude afin que l'appareil atteigne la température de consigne.

Si vous avez des questions relatives à l'utilisation des TEMPRA, appelez notre service technique au 800-582-8423 (USA et Canada). Pour le service SAV en dehors des États-Unis ou du Canada, veuillez appeler le 413-247-3380 pour les USA. Vous pouvez aussi nous envoyer un e-mail à l'adresse suivante : info@stiebel-eltron-usa.com ou une télécopie au 413-247-3369 pour les USA.

Le TEMPRA est conçu pour les applications suivantes.

- G 1** Installation sanitaire typique des habitations
- G 2** Installation sanitaire typique des locaux commerciaux

3 Montage de l'appareil

⚠ AVERTISSEMENT: L'APPAREIL DOIT ÊTRE INSTALLÉ EN POSITION VERTICALE, RACCORDS D'EAU DIRIGÉS VERS LE BAS. NE PAS INSTALLER L'APPAREIL DANS UN ENDROIT OÙ IL RISQUE D'ÊTRE RÉGULIÈREMENT ECLABOUSSÉ D'EAU. UNE ÉLECTROCUTION POURRAIT SE PRODUIRE.

ATTENTION : LES CANALISATIONS D'ÉCOULEMENT D'EAU CHAUDE QUITTANT L'APPAREIL PEUVENT ÊTRE CHAUDES AU TOUCHER. IL FAUT ISOLER LES CANALISATIONS D'ÉCOULEMENT D'EAU CHAUDES SITUÉES À MOINS DE 91 CM (36 PO) À CAUSE DU RISQUE DE BRÛLURES ENCOURU PAR LES ENFANTS.

AVIS ; CET APPAREIL NE DOIT PAS ÊTRE INSTALLÉ À UN ENDROIT SUSCEPTIBLE D'ÊTRE EXPOSÉ AU GEL (TEMPÉRATURES INFÉRIEURES À 2 °C [36 °F]). SI L'APPAREIL RISQUE D'ÊTRE EXPOSÉ AU GEL, IL FAUT PURGER TOUTE L'EAU DE L'APPAREIL. LE NON-RESPECT DE CETTE DIRECTIVE ANNULE TOUTES LES GARANTIES.

L'APPAREIL DOIT ÊTRE SITUÉ DANS UN ENDROIT OÙ LES FUITES D'EAU PROVENANT DE L'APPAREIL OU DES FRANCHEMENTS NE RISQUENT PAS D'ENTRAÎNER DES DOMMAGES À SON ENVIRONNEMENT IMMÉDIAT. SI L'INSTALLATION NE PEUT AVOIR LIEU AILLEURS, IL EST CONSEILLÉ D'INSTALLER UN BAC DE RÉCUPÉRATION SOUS L'APPAREIL.

1. Installez le TEMPRA le plus près possible des points principaux de prélèvement d'eau chaude.
2. Installez le TEMPRA dans un local à l'abri du gel. En cas de risque de gel, déposez l'appareil avant l'arrivée du gel.
3. Laissez un espace minimum de 10 cm environ de chaque côté pour l'entretien.
4. Enlevez la vis du capot avec le disque interrupteur et ouvrez le capot **C**.
5. Fixez l'appareil au mur solidement en plaçant au moins trois vis dans les trous de fixation **E 1 - 3**.

Les vis et les pièces d'ancrage au mur en plastique pour montage dans un ouvrage en maçonnerie ou en bois sont fournies.

4 Raccords d'eau

NOTICE : UNE CHALEUR EXCESSIVE DUE AU SOUDAGE DES TUYAUTERIES EN CUIVRE À PROXIMITÉ DU TEMPRA PEUT ENDOMMAGER L'APPAREIL.

LE BRANCHEMENT D'EAU FROIDE VERS L'APPAREIL DOIT ÊTRE DÉCONNECTÉ RÉGULIÈREMENT POUR NETTOYER L'ÉCRAN DU FILTRE. IL EST NÉCESSAIRE D'UTILISER DES RACCORDEMENTS D'EAU QUI PUISSENT SE DÉCONNECTER FACILEMENT COMME DES RACCORDS FLEXIBLES EN ACIER TRESSÉ.

AVIS : L'EAU DURE OU L'EAU AVEC UNE TENUEUR ÉLEVÉE EN MINÉRAUX PEUT ENDOMMAGER L'APPAREIL. LES DÉGÂTS CAUSÉS PAR LE TARTRE OU UNE TENUEUR ÉLEVÉE EN MINÉRAUX NE SONT PAS COUVERTS PAS LA GARANTIE.

- Tous les travaux de plomberie doivent être réalisés conformément aux réglementations nationales, régionales et locales applicables.
- Un réducteur de pression doit être installé si la pression de l'alimentation en eau froide est supérieure à 150 PSI (10 bars).
- Vérifiez que la tuyauterie d'arrivée d'eau froide a bien été rincée pour enlever les dépôts ou les saletés.
- D** Les TEMPRA comportent aussi un filtre crépine **3** à nettoyer de temps en temps. Nettoyez le filtre crépine puis remettre le filtre et la rondelle **3** en place.
- Le raccord d'eau froide (arrivée) se trouve sur la droite de l'appareil et le raccord d'eau chaude (prélèvement) du côté gauche.

! 6. Il n'est pas nécessaire d'équiper un chauffe-eau sans réservoir comme TEMPRA d'une soupape de sécurité de pression et de température (P&T). Si le contrôleur local n'agrée pas l'installation sans soupape P&T, il est possible d'en installer une du côté prélèvement de l'eau chaude sur l'appareil.

- Le TEMPRA est conçu pour un raccordement sur tuyauterie en cuivre, en PEX ou sur flexible en acier inoxydable tressé avec filetage conique femelle 3/4" NPT. S'il faut souder près de l'appareil, tenir la flamme éloignée de l'enveloppe de l'appareil pour éviter toute détérioration.

LE BRANCHEMENT D'EAU FROIDE VERS L'APPAREIL DOIT ÊTRE DÉCONNECTÉ RÉGULIÈREMENT POUR NETTOYER L'ÉCRAN DU FILTRE. IL EST NÉCESSAIRE D'UTILISER DES RACCORDEMENTS D'EAU QUI PUISSENT SE DÉCONNECTER FACILEMENT COMME DES RACCORDS FLEXIBLES EN ACIER TRESSÉ.

- Lorsque tous les travaux de plomberie sont achevés, contrôlez l'absence de fuite et exécutez les mesures correctives avant de poursuivre.

5 Raccordement électrique

! **AVERTISSEMENT : AVANT TOUTE INTERVENTION SUR L'INSTALLATION ÉLECTRIQUE, VÉRIFIEZ QUE LES INTERRUPTEURS DU PANNEAU DE DISJONCTEURS PRINCIPAUX SONT SUR « ARRÊT » AFIN DE PRÉVENIR TOUT RISQUE D'ÉLECTROCUTION. TOUS LES TRAVAUX DE MONTAGE ET DE PLOMBERIE DOIVENT ÊTRE ACHÉVÉS AVANT DE PROCÉDER AU BRANCHEMENT ÉLECTRIQUE. LES CIRCUITS DOIVENT ÊTRE ÉQUIPÉS D'UN INTERRUPTEUR DIFFÉRENTIEL SI LES RÉGLEMENTATIONS NATIONALES, RÉGIONALES OU LOCALES EN MATIÈRE D'INSTALLATION ÉLECTRIQUE L'EXIGENT.**

AVERTISSEMENT : COMME AVEC TOUT APPAREIL ÉLECTRIQUE, DES DÉFAUTS DE MISE À LA TERRE ÉLECTRIQUES PEUVENT ENTRAÎNER DES LÉSIONS GRAVES OU MORTELLES.

- Tous les travaux électriques doivent être réalisés conformément aux réglementations nationales, régionales et locales applicables.
- H** Le TEMPRA doit être raccordé à un circuit de dérivation relié à la terre et présentant la tension assignée requise. La terre doit être connectée à la borne « Ground » du tableau de disjoncteur.

TEMPRA/TEMPRA 12 Plus

Ces appareils peuvent être connectés à un circuit simple. Utilisez un câble d'alimentation protégé par un disjoncteur bipolaire (voir **2**).

Le TEMPRA 15 à 36 doit posséder plusieurs sources d'alimentation.

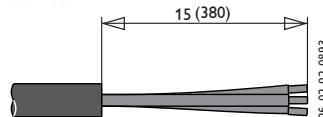
TEMPRA/TEMPRA 15, 20 ou 24 Plus

Ces appareils exigent deux circuits indépendants. Utilisez deux câbles d'alimentation protégés par deux disjoncteurs bipolaires distincts (voir **2**).

TEMPRA 29 ou 36 Plus

Ces appareils exigent trois circuits indépendants. Utilisez trois câbles d'alimentation protégés par trois disjoncteurs bipolaires distincts (voir **2**). Pour les sections de câbles et la taille de disjoncteur requise, consultez les caractéristiques techniques. Dans tous les cas, assurez-vous de la mise à la terre adéquate de l'appareil.

- Coupez à la longueur désirée le câble de raccordement électrique et dénudez l'extrémité.



- Le câble doit être inséré par les passages prévus situés entre les raccords d'eau froide et d'eau chaude **A**, **H** **1**. Les fils sous tension doivent être connectés aux bornes L1 et L2 du bloc de jonction. Le conducteur de mise à la terre doit être connecté à la borne pourvue du symbole de terre (voir **I**).

6 Premiers réglages

F **1** Sélection de °F ou °C sur l'appareil
- Placez un cavalier sur le circuit imprimé pour les températures en °F ou °C.

F **1** Limiteur de température
La sortie de température du TEMPRA PLUS peut être limitée à 109 °F (43 °C) en réglant le cavalier sur la position T_{red} (température réduite)

7 Mise en service du chauffe-eau

! **AVERTISSEMENT : OUVREZ LE ROBINET D'EAU CHAUDE PENDANT QUELQUES MINUTES JUSQU'À CE QUE LE DÉBIT SOIT CONSTANT ET QUE L'AIR DANS LES TUYAUTERIES SOIT PURGÉ. LE CAPOT DE L'APPAREIL DOIT ÊTRE REMONTÉ AVANT D'ENCLENCHER LES DISJONCTEURS.**

- Fermez le capot et fixez-le avec le disque interrupteur avec la vis.
- Enclenchez les disjoncteurs pour mettre l'appareil sous tension.
- Tournez le sélecteur de température dans le sens horaire et dans le sens anti-horaire pour calibrer le transmetteur de valeur de consigne.
- Réglez la température de l'eau comme vous le souhaitez à l'aide du bouton placé à l'avant de l'appareil.
- Ouvrez l'eau chaude et attendez vingt secondes que la température se stabilise.
- Contrôlez la température de l'eau avec la main pour vous assurer que ce ne soit pas trop chaud. Baissez la température si besoin est.
- Expliquez le fonctionnement de l'appareil à l'utilisateur et faites en sorte qu'il se familiarise avec son utilisation. Informez l'utilisateur des risques éventuels (température de l'eau chaude jusqu'à 140 °F / 60 °C). Remettez les présentes instructions qui doivent être conservées pour toute référence ultérieure.

8 Entretien de routine

! **LES TEMPRA NE COMPORTENT PAS DE PIÈCES NÉCESSITANT L'INTERVENTION D'UNE PERSONNE NON SPÉCIALISTE. EN CAS DE DYSFONCTIONNEMENT, PRENEZ CONTACT AVEC UN ARTISAN PLOMBIER OU ÉLECTRICIEN AGRÉÉ.**

Les chauffe-eau STIEBEL ELTRON TEMPRA sans réservoir sont conçus pour une très longue durée de vie. La durée de vie effective varie en fonction de la qualité de l'eau et de l'utilisation. L'appareil lui-même ne nécessite aucun entretien régulier. Toutefois, pour assurer un débit d'eau constant, il est recommandé d'enlever régulièrement les saletés et les dépôts qui pourraient se former dans le brise-jet ou du des robinets ou dans la tête de douche.

9 Caractéristiques techniques

Modèle		TEMPRA 12 B		TEMPRA 15 B		TEMPRA 20 B		TEMPRA 24 B		TEMPRA 29 Plus		TEMPRA 36 Plus	
		TEMPRA 12 Plus	TEMPRA 12 Plus	TEMPRA 15 Plus	TEMPRA 15 Plus	TEMPRA 20 Plus	TEMPRA 20 Plus	TEMPRA 24 Plus	TEMPRA 24 Plus	TEMPRA 29 Plus	TEMPRA 29 Plus	TEMPRA 36 Plus	TEMPRA 36 Plus
Phase		1		1		1		1		1		1	
Tension	V	208	240	208	240	208	240	208	240	208	240	208	240
Puissance	kW	9	12	10.8	14.4	14.4	19.2	18	24	21.6	28.8	27	36
Charge maximale	A	44	50	2 x 26	2 x 30	2 x 35	2 x 40	2 x 44	2 x 50	3 x 35	3 x 40	3 x 44	3 x 50
Taille min. requise du disjoncteur	A	60	60	2 x 40	2 x 40	2 x 50	2 x 50	2 x 60	2 x 60	3 x 50	3 x 50	3 x 60	3 x 60
Sect. de conducteur recommandée	AWG CUIVRE	6	6	2 x 8	2 x 8	2 x 8	2 x 8	2 x 6	2 x 6	3 x 8	3 x 8	3 x 6	3 x 6
Température d'arrivée max.	°F (°C)	131 (55)											
Débit d'eau pr activer appareil	≥ GPM (≥ l/min)	0.37 (1.4)		0.58 (2.2)		0.58 (2.2)		0.58 (2.2)		0.87 (3.3)		0.87 (3.3)	
Volume d'eau nominal	GAL (l)	0.13 (0.5)		0.26 (1.0)		0.26 (1.0)		0.26 (1.0)		0.39 (1.5)		0.39 (1.5)	
Pression de service, max.	PSI (bar)	145 (10)											
Testé à une pression de	PSI (bar)	290 (20)											
Poids	lbs. (kg)	13.2 (6.1)		15.4 (7.3)		15.4 (7.3)		15.4 (7.3)		17.6 (8.6)		17.6 (8.6)	
Dimensions													
hauteur	inch (mm)	14 1/2 (369)											
profondeur		4 5/8 (117)											
largeur		16 5/8 (420)											
Raccords d'eau	NPT	3/4"											

- Les chauffe-eau instantanés sont considérés comme une charge non continue
- Les conducteurs devraient être dimensionnés de manière à supporter une chute de tension de moins de 3% en charge

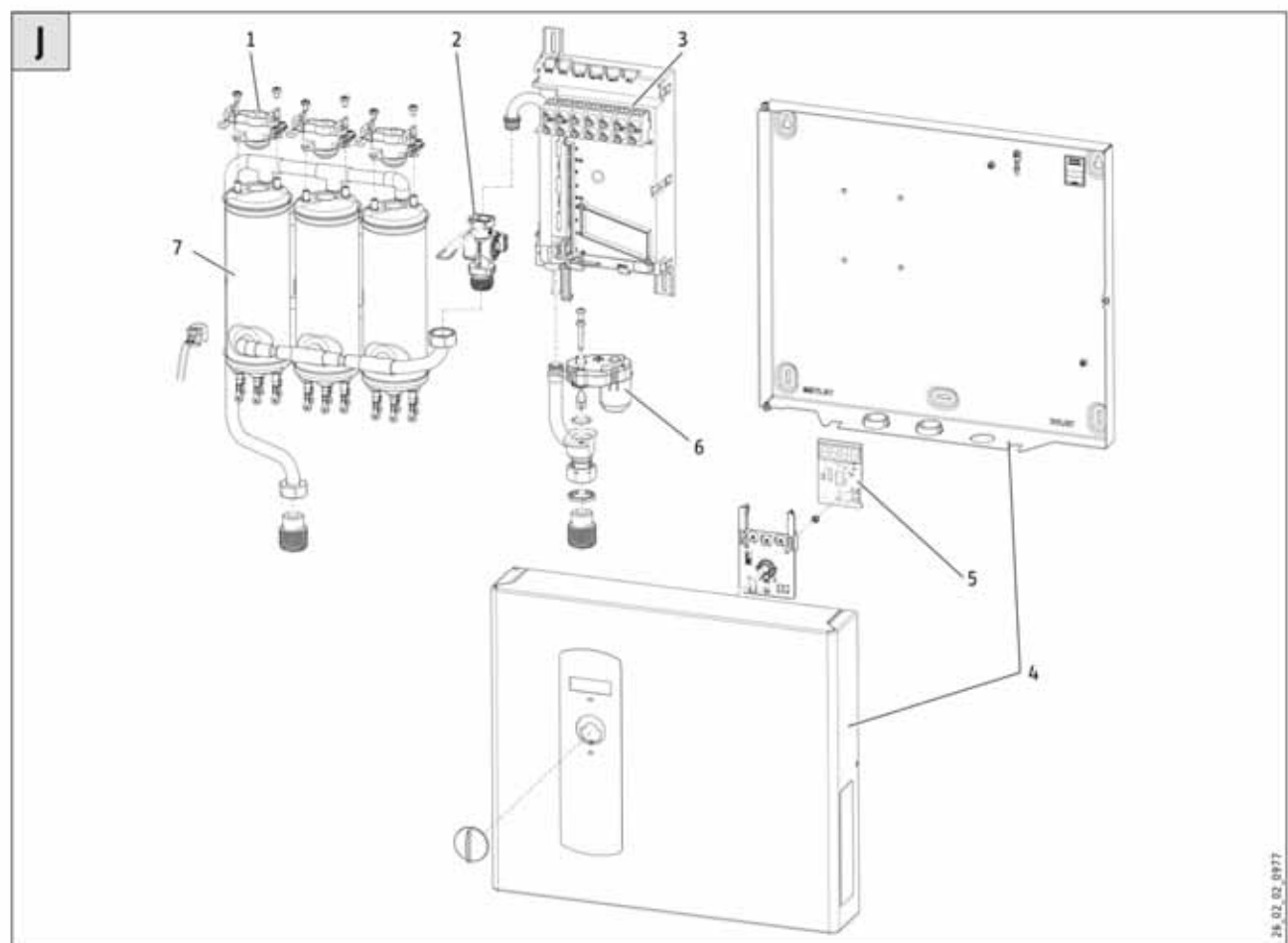
10 Dépannage

Sintoma	Cause possible	Solution
L'eau n'est pas chaude	<ul style="list-style-type: none"> - les disjoncteurs sont coupés - l'interrupteur thermique de sécurité déclenché - débit insuffisant pour activer l'appareil 	<ul style="list-style-type: none"> - enclenchez les disjoncteurs - réinitialisez l'interrupteur thermique de sécurité - nettoyez le filtre crépine de l'appareil - nettoyez le brise-jet du robinet ou la pomme de douche
Il n'y a pas assez d'eau chaude	<ul style="list-style-type: none"> - le filtre crépine est obstrué 	<ul style="list-style-type: none"> - nettoyez le filtre crépine de l'appareil.
L'eau n'est pas suffisamment chaude	<ul style="list-style-type: none"> - le débit d'eau est trop élevé - la tension est trop faible 	<ul style="list-style-type: none"> - réduisez le débit d'eau jusqu'à ce que le témoin arrête de clignoter sur le capot frontal - alimentez l'appareil avec la tension adéquate

Si vous êtes incapable de résoudre un problème, contactez-nous au numéro gratuit 800-582-8423 avant de déposer l'appareil du mur. STIEBEL ELTRON est heureux de vous proposer une assistance technique. Dans la plupart des cas, nous pouvons résoudre le problème par téléphone.

11 Pièces de rechange

Modèle	N° Pièces de rechange						
J	1	2	3	4	5	6	7
	Interrupteur thermique de sécurité	Capteur de débit	Unité de commande électronique	Boîtier	Electronic organe actionneur valeur de consigne	Vanne motorisée	Système de chauffage
TEMPRA 12 B	286369	286461	286366	286356	286359	---	286360
TEMPRA 15 B	286369	286461	286844	286356	286359	---	286361
TEMPRA 20 B	286369	286461	286844	286356	286359	---	286362
TEMPRA 24 B	286369	286461	286367	286356	286359	---	286364
TEMPRA 12 Plus	286369	286461	286375	286370	286372	220502	286360
TEMPRA 15 Plus	286369	286461	286845	286370	286372	220502	286361
TEMPRA 20 Plus	286369	286461	286845	286370	286372	220502	286362
TEMPRA 24 Plus	286369	286461	286376	286370	286372	220502	286364
TEMPRA 29 Plus	286369	286461	286378	286370	286372	220502	286373
TEMPRA 36 Plus	286369	286461	286379	286370	286372	220502	286374



WARRANTY

RESIDENTIAL & COMMERCIAL WARRANTY: STIEBEL ELTRON WARRANTS TO THE ORIGINAL OWNER THAT THE TEMPRA TANKLESS ELECTRIC WATER HEATER WILL BE FREE FROM DEFECTS IN WORKMANSHIP AND MATERIALS FOR A PERIOD OF THREE YEARS FROM THE DATE OF PURCHASE. SHOULD THE PART(S) PROVE TO BE DEFECTIVE UNDER NORMAL USE DURING THIS PERIOD, STIEBEL ELTRON, INC. WILL BE RESPONSIBLE FOR REPLACEMENT OF THE DEFECTIVE PART(S) ONLY. STIEBEL ELTRON, INC. IS NOT RESPONSIBLE FOR LABOR CHARGES TO REMOVE AND/OR REPLACE THE DEFECTIVE PART(S), OR ANY INCIDENTAL OR CONSEQUENTIAL EXPENSES.

SHOULD THE OWNER WISH TO RETURN THE TANKLESS ELECTRIC WATER HEATER FOR REPAIR, THE OWNER MUST FIRST SECURE WRITTEN AUTHORIZATION FROM STIEBEL ELTRON, INC. THE OWNER SHALL BE REQUIRED TO SHOW PROOF OF PURCHASE DATE, AND TO PAY ALL TRANSPORTATION COSTS TO RETURN THE DEFECTIVE PART(S) OR TANKLESS ELECTRIC WATER HEATER FOR REPAIR OR REPLACEMENT. WARRANTY IS VOID IF WATER HEATER HAS BEEN INSTALLED OR USED IMPROPERLY OR IF DESIGN HAS BEEN ALTERED IN ANY WAY.

STIEBEL ELTRON, INC.
17 West Street
West Hatfield, MA 01088, USA
PHONE: 800.582.8423 or 413.247.3380
FAX: 413.247.3369
E-Mail info@stiebel-eltron-usa.com
www.stiebel-eltron-usa.com

GARANTÍA

GARANTÍA RESIDENCIAL Y COMERCIAL: STIEBEL ELTRON GARANTIZA LA MANO DE OBRA Y LAS PIEZAS DE LOS CALENTADORES ELÉCTRICOS SIN TANQUE TEMPRA, POR UN PERIODO DE TRES AÑOS A PARTIR DE LA FECHA DE COMPRA. EN CASO QUE ALGUNA PARTE O PARTES SE DAÑEN DURANTE ESTE PERIODO, STIEBEL ELTRON, INC SE RESPONSABILIZA A CAMBIAR LA PARTE(S) DEFECTUOSA(S) ÚNICAMENTE. STIEBEL ELTRON, INC NO SE HACE RESPONSABLE POR GASTOS DE MANO DE OBRA EN QUE SE INCURRAN PARA REMOVER Y/O REEMPLAZAR LA(S) PARTE(S) DEFECTUOSA(S), O CUALQUIER GASTO ACCIDENTAL O COMO CONSECUENCIA DEL PROBLEMA.

EN CASO QUE EL PROPIETARIO DESEE REGRESAR EL CALENTADOR DE AGUA ELÉCTRICO SIN TANQUE PARA QUE SEA REPARADO, EL PROPIETARIO DEBE OBTENER UNA AUTORIZACIÓN POR ESCRITO DE STIEBEL ELTRON, INC. Y ESTAR PREPARADO PARA PROBAR LA FECHA DE ADQUISICIÓN, ASÍ COMO, PAGAR POR TODOS LOS COSTOS DE TRANSPORTACIÓN PARA REGRESAR LA(S) PARTE(S) DEFECTUOSA(S) O EL CALENTADOR DE AGUA PARA REPARACIÓN O REEMPLAZO. LA GARANTÍA SERÁ ANULADA SI EL CALENTADOR DE AGUA HA SIDO INSTALADO O USADO INADECUADAMENTE O SI EL DISEÑO HA SIDO ALTERADO DE CUALQUIER MANERA.

STIEBEL ELTRON, INC.
17 West Street
West Hatfield, MA 01088, USA
PHONE: 800.582.8423 or 413.247.3380
FAX: 413.247.3369
E-Mail info@stiebel-eltron-usa.com
www.stiebel-eltron-latino.com

GARANTIE

GARANTIE APPLICABLE AUX UTILISATEURS PRIVÉS ET COMMERCIAUX: STIEBEL ELTRON GARANTIT AU PROPRIÉTAIRE INITIAL QUE LE CHAUFFE-EAU INSTANTANÉ ÉLECTRIQUE TEMPRA EST EXEMPT DE DÉFAUTS DE FABRICATION ET DE MATÉRIEAUX PENDANT UNE PÉRIODE DE TROIS ANS À COMPTER DE LA DATE D'ACHAT. EN CAS DE DÉFAUT AVÉRÉ D'UNE OU PLUSIEURS PIÈCES LORS D'UNE UTILISATION NORMALE DURANT CETTE PÉRIODE, STIEBEL ELTRON, INC. N'EST RESPONSABLE QUE DU REMPLACEMENT DE LA OU DES PIÈCES DÉFECTUEUSES. STIEBEL ELTRON, INC. N'EST PAS RESPONSABLE DES FRAIS DE MAIN-D'ŒUVRE DÉCOULANT DE LA DÉPOSE ET/OU DU REMPLACEMENT DE LA OU DES PIÈCES DÉFECTUEUSES NI DES ÉVENTUELS FRAIS ACCESSOIRES OU INDIRECTS.

SI LE PROPRIÉTAIRE SOUHAITE RENVOYER LE CHAUFFE-EAU INSTANTANÉ ÉLECTRIQUE POUR RÉPARATION, IL DOIT D'ABORD OBTENIR L'AUTORISATION ÉCRITE DE STIEBEL ELTRON, INC. LE PROPRIÉTAIRE SERA TENU DE PRODUIRE LA PREUVE DE LA DATE D'ACHAT ET DE SUPPORTER TOUS LES FRAIS DE TRANSPORT INHÉRENTS AU RENVOI DE LA OU DES PIÈCES DÉFECTUEUSES OU DU CHAUFFE-EAU INSTANTANÉ ÉLECTRIQUE POUR RÉPARATION OU REMPLACEMENT. LA GARANTIE NE COUVRE PAS LES INSTALLATIONS OU UTILISATIONS INCORRECTES DU CHAUFFE-EAU NI LES MODIFICATIONS DE CONCEPTION ÉVENTUELLES.

STIEBEL ELTRON, INC.
17 West Street
West Hatfield, MA 01088, USA
PHONE: 800.582.8423 or 413.247.3380
FAX: 413.247.3369
E-Mail info@stiebel-eltron-usa.com
www.stiebel-eltron-usa.com

