



Accord®

60" Seated Shower with Grab Bars
72290103-N



Features

- Modular design allows it to be moved around corners and through doorways with ease.
- Durable high-gloss finish.
- Convenient shelves provide generous storage space.
- Geometric back wall design adds visual interest.
- 60" (1219 mm) x 36" (914 mm) x 74-3/4" (1898 mm) complete unit finished dimensions.
- Includes removable seat that can be placed on either side of the shower.
- Includes factory-installed Age-in-Place grab bars in Nickel finish.

Material

- Compression-molded from our exclusive Vikrell® material.

Installation

- Four-piece modular design with pivot "snap together" installation.
- Caulkless installation.



Recommended Accessories

- 5375EZ-57 Frameless Sliding Shower Door
- 5475-59 Frameless Sliding Shower Door
- 5477-59 Frameless Sliding Shower Door
- 5970-59 Framed Sliding Shower Door
- 5975-59 Framed Sliding Shower Door
- 5976-59 Framed Sliding Shower Door
- 5977-59 Framed Sliding Shower Door
- 547808-59 Frameless Bypass Shower Door
- 572075-59 Framed Sliding Shower Door
- 581075-59 Frameless Sliding Shower Door
- 80001012 12" Grab Bar
- 80001018 18" Grab Bar
- 80001024 24" Grab Bar
- 80011032 32" Grab Bar
- 80001036 36" Grab Bar
- 80012134 34" Grab Bar
- 72286104 Seated Shower Seat

Components

Product includes:

- 71164103-N 60" Bath/Shower Wall Set w/Grab Bars
- 72291100 60" Seated Shower Base

Codes/Standards

- CSA B45.5/IAPMO Z124
- ASTM E162
- ASTM E662
- Greenguard UL 2818 - Gold
- HUD, UM Bulletin 73
- CARB P2



STERLING® Warranty - Fixtures Made of Solid Vikrell Material

STERLING® Warranty - Grab Bars
STERLING® Warranty - Bathing & Showering Seats

See website for detailed warranty information.

Available Color/Finishes

Color tiles intended for reference only.

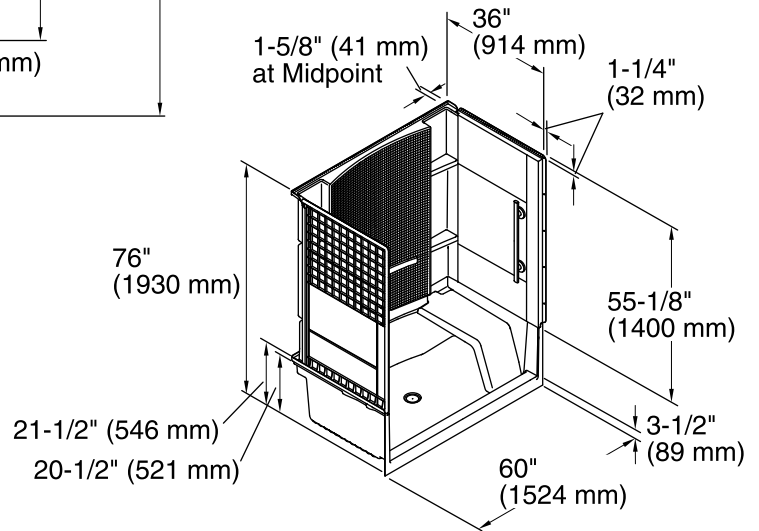
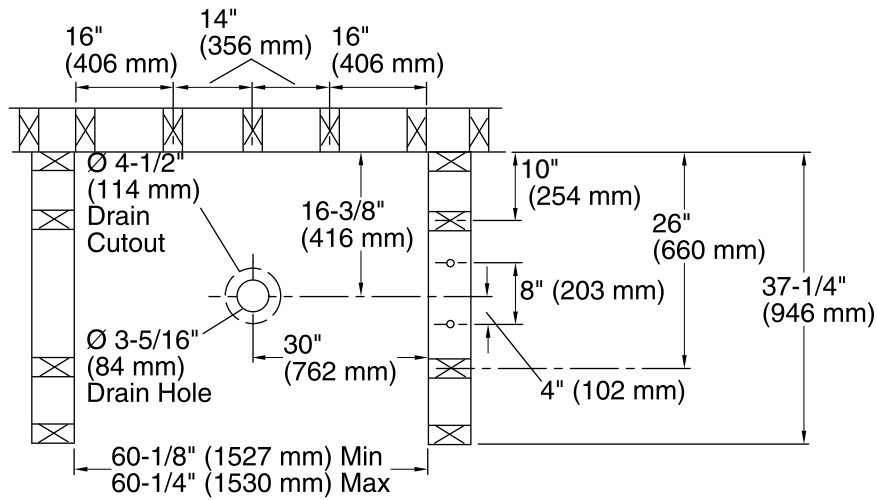
Color	Code	Description
	0	White
	96	KOHLER Biscuit

USA/Canada: 1-800-STERLING (1-800-783-7546)

Kohler Co. reserves the right to make revisions without notice to product specifications.

For the most current Specification Sheet, go to www.sterlingplumbing.com.

12-25-2016 06:31



Technical Information

All product dimensions are nominal.

Installation: 3-Wall Alcove

Drain location: Center

Minimum flat for door: 3-1/4" (83 mm)

Threshold height: 3-1/2" (89 mm)

Door height required: 70-5/8" (1794 mm)

Door width required: 56-5/8" (1438 mm)

Notes

Install this product according to the installation instructions.

Studs should be positioned roughly as shown.

Double studding is recommended for pivot shower door installations.

Shower base cannot be installed without the wall surround.