

Features

- Framed, 1/8" (3 mm) thick tempered glass door and 3/16" (5 mm) thick tempered glass in-line panel.
- Pivot bushings provide smooth, silent operation.
- Full-length magnetic door latch provides secure door closure.
- Threshold conveniently directs water back into shower.
- Full-length handle for easy operation.

Material

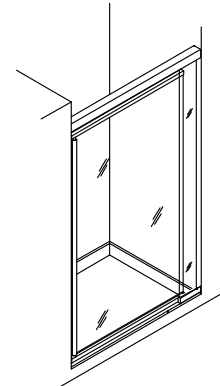
- Anodized aluminum prevents rusting or corrosion.
- Tempered glass ensures maximum safety and durability.

Installation

- Out-of-plumb adjustability allows for simpler installation.
- Can be installed to open to the left or right.

Components

Additional included component/s: Hardware kit.



Codes/Standards

ANSI Z97.1 (Tempered Glass)
CPSC 16CFR 1201

STERLING® Warranty - Bath and Shower Doors

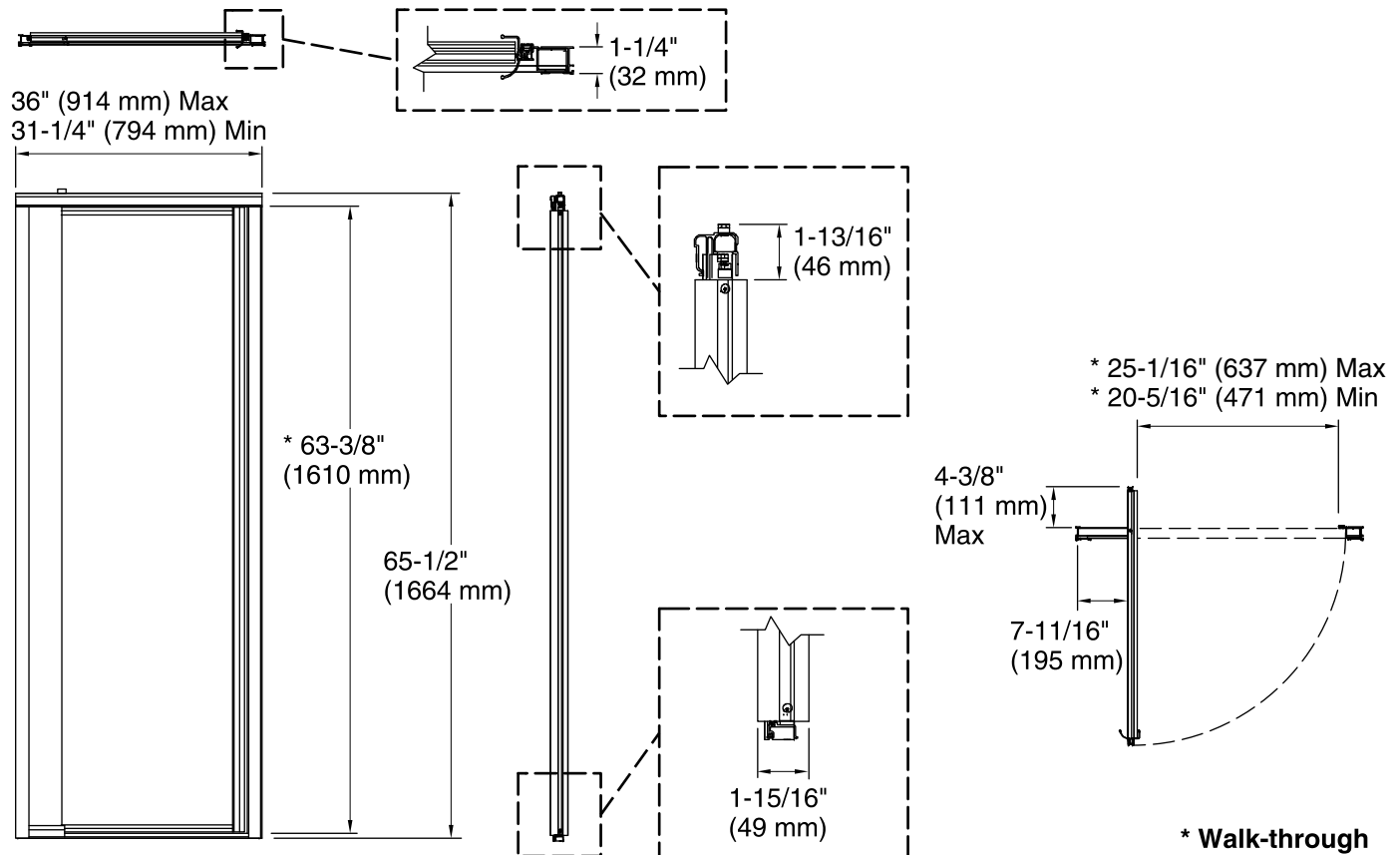
See website for detailed warranty information.

Available Color/Finishes

Color tiles intended for reference only.

Color Code Description

● S Silver



Technical Information

All product dimensions are nominal.

Installation type: For receptor installation

Opening Width - Min: 31-1/4" (794 mm)

Opening Width - Max: 36" (914 mm)

Walk-through - Min: 20-5/16" (516 mm)

Walk-through - Max: 25-1/16" (637 mm)

Glass thickness: 1/8" (3 mm)

Notes

Install this product according to the installation guide.