



Ensemble™

60" Curve End Drain Shower

72170110



Features

- Modular design allows it to be moved around corners and through doorways with ease.
- Durable high gloss finish.
- Convenient shelves provide generous storage space.
- Shaving ledge/foot rest for added comfort.
- Curve wall design for a smooth look and feel.
- 60" (1524 mm) x 30" (762 mm) x 75-1/4" (1911 mm) complete unit finished dimensions.

Material

- Compression molded from our exclusive Vikrell® material.

Installation

- Tongue-and-groove four piece modular design allows for easy snap together installation.
- Some caulk required for proper installation.
- End drain makes it perfect for replacing an existing bath without moving the drain location.



Components

Product includes:

- 72232100 60" Shower Back Wall
- 72171110 60" x 30" Shower Receptor
- 72175100 60" x 30" Shower End Wall Set

Codes/Standards

- CSA B45.5/IAPMO Z124
- ASTM E162
- ASTM E662
- Greenguard UL 2818 - Gold
- HUD, UM Bulletin 73



STERLING® Warranty - Fixtures Made of Solid Vikrell Material

See website for detailed warranty information.

Available Color/Finishes

Color tiles intended for reference only.

Color Code Description

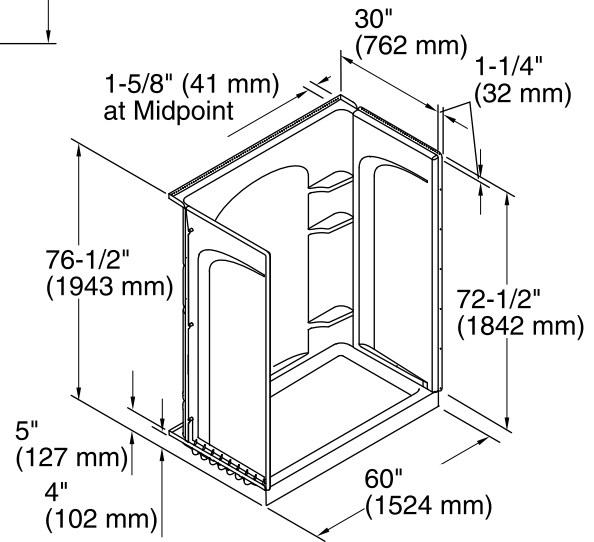
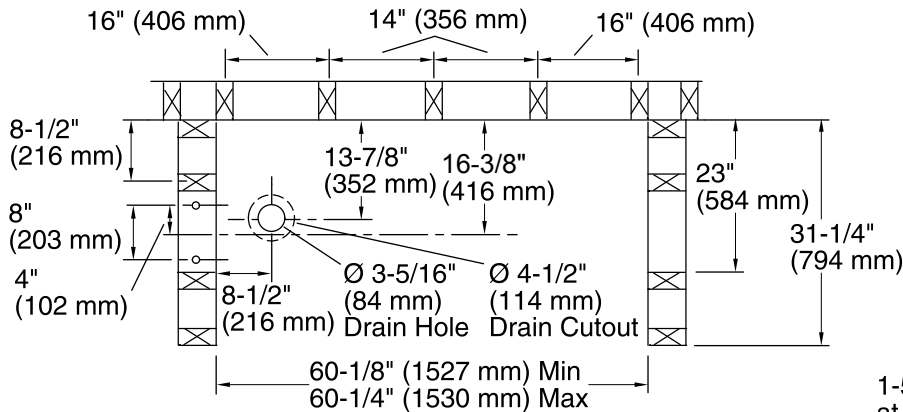
- | | | |
|--|----|---------|
|  | 0 | White |
|  | 96 | Biscuit |

USA/Canada: 1-800-STERLING (1-800-783-7546)

Kohler Co. reserves the right to make revisions without notice to product specifications.

For the most current Specification Sheet, go to www.sterlingplumbing.com.

8-11-2015 02:40



Technical Information

All product dimensions are nominal.
 Installation: 3-Wall Alcove
 Drain location: Left
 Door height required: 70-1/2" (1791 mm)
 Door width required: 56-5/8" (1438 mm)

Notes

Install this product according to the installation guide.
 Double studding is recommended for pivot shower door installations.
 Studs should be positioned roughly as shown.