

# STERLING®

A KOHLER COMPANY

MCALLISTER™

## UNDERCOUNTER KITCHEN SINK 11406-NA

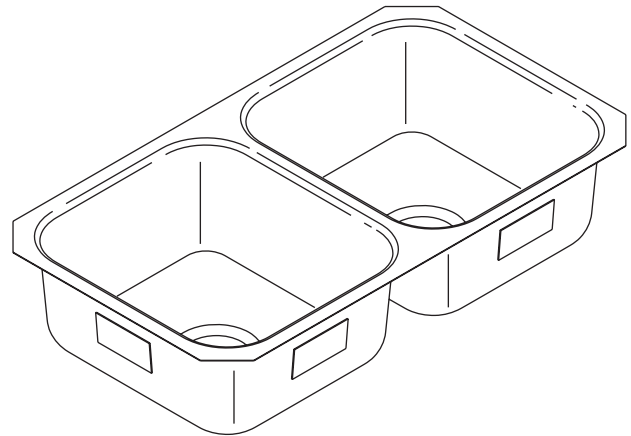
### Features

- Includes SilentShield™ sound-absorption technology
- Satin finish
- 20-gauge stainless steel
- One-piece steel construction, no center weld
- Undermount rimless design
- 32" (81.3 cm) x 18" (45.7 cm) x 8-1/16" (20.5 cm)

### Codes/Standards Applicable

Specified model meets or exceeds the following:

- ASME A112.19.3



### Colors/Finishes

- NA: None applicable

### Specified Model

Model	Description	Colors/Finishes
11406-NA	Stainless steel undermount sink	<input type="checkbox"/> NA

## Technical Information

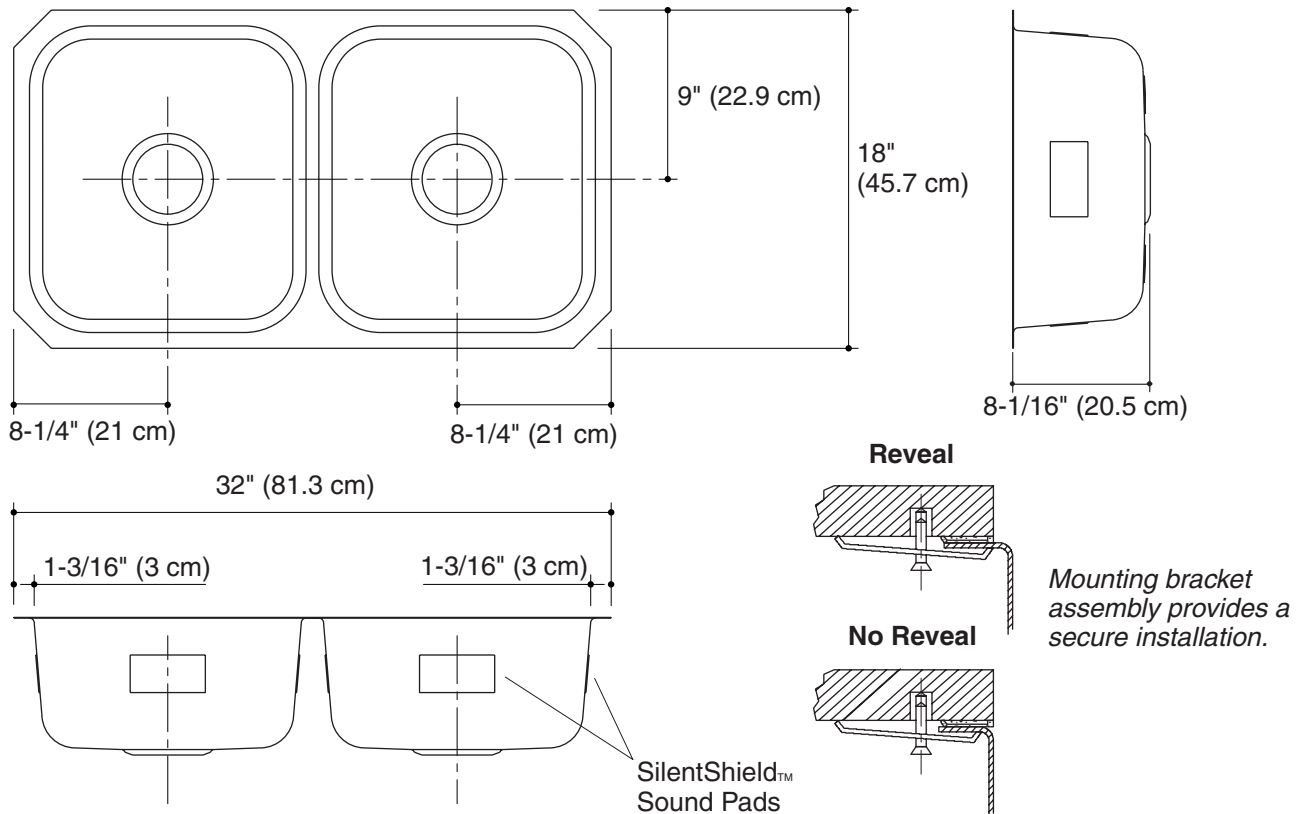
Fixture*:		basin area
Sink		14-1/8" (35.9 cm) x 15-3/4" (40 cm)
Drain hole	3-5/8" (9.2 cm) D.	
* Approximate measurements for comparison only.		

Included Components:	
Hardware kit	91915
Cut-out template	1041962-7

## Installation Notes

Install this product according to the installation guide.

Use the supplied cut-out template to select either a hidden or exposed rim.



**Product Diagram**