



Features

- Double equal bowl.
- Durable high gloss finish.
- Pre-drilled for single-hole faucet.
- Features gently sloping saddle and tight corner radii.
- 9" (229 mm) basin depth.
- 33" (838 mm) x 22" (559 mm) x 9" (229 mm)

Material

- Compression molded from our exclusive Vikrell® material.

Installation

- Top-mount or undercounter mount installation.



Codes/Standards

ASME A112.19.3/CSA B45.4
Greenguard UL 2818 - Gold



STERLING® Warranty - Fixtures Made of Solid Vikrell Material

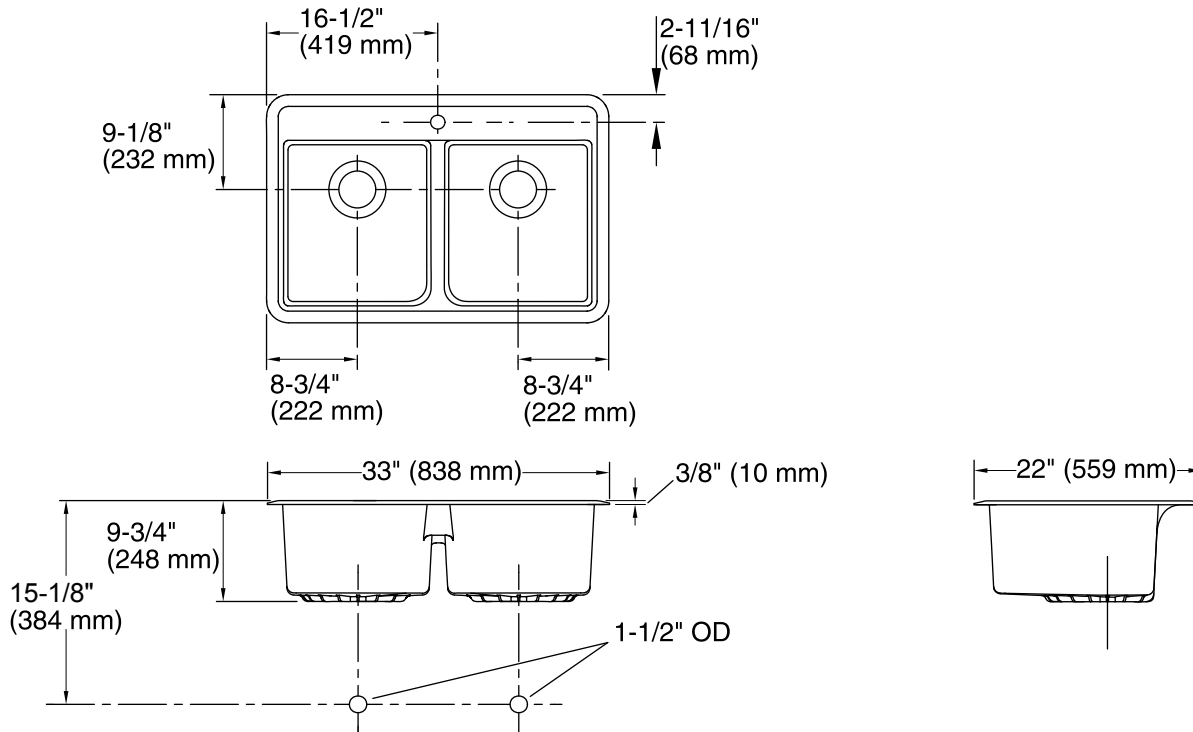
See website for detailed warranty information.

Available Color/Finishes

Color tiles intended for reference only.

Color Code Description

	0	White
	96	Biscuit



Technical Information

All product dimensions are nominal.

Bowl configuration:	Double equal
Installation:	Top-mount, Under-mount
Cutout:	Top-mount, 31-1/2" x 20-1/2" (800 mm x 521 mm)
Bowl area (Left)	Length: 14" (356 mm) Width: 16" (406 mm) Bowl depth: 9" (229 mm)
Bowl area (Right)	Length: 14" (356 mm) Width: 16" (406 mm) Bowl depth: 9" (229 mm)
Number of deck holes:	1
Faucet hole(s):	1-3/8" (35 mm)
Drain hole:	3-1/2" (89 mm)
Template:	Top-mount/Under-mount, 1109797-7, required, included

Notes

Install this product according to the installation guide.