

STERLING®

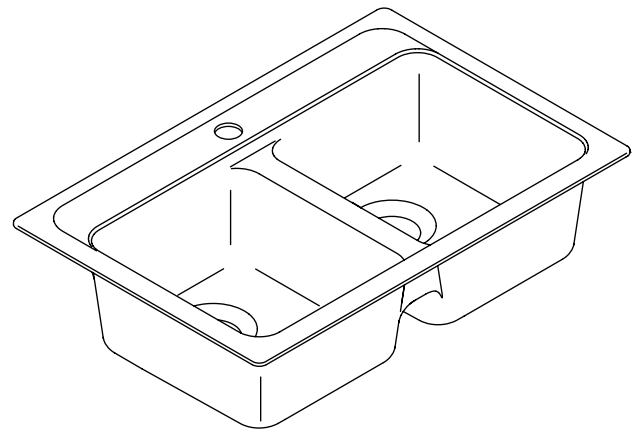
A KOHLER COMPANY

BREEZE™

KITCHEN SINK 1041

Features

- Compression molded from Sterling's exclusive solid Vikrell® material
- Durable high-gloss finish
- Double equal basin
- Clipless self-rimming installation
- Pre-drilled for single-hole (-1) or 4-hole (-4) faucet
- Designed to accommodate additional faucet-hole drillings
- Lifetime limited warranty
- 33" (83.8 cm) x 22" (55.9 cm) x 8" (20.3 cm)



Codes/Standards Applicable

Specified model meets or exceeds the following at date of manufacture:

- ANSI Z124.6
- CSA B45.0
- CSA B45.5
- ASTM E162
- ASTM E662

Colors/Finishes

- 0: White
- Other: Refer to Price Book for additional colors/finishes

Specified Model

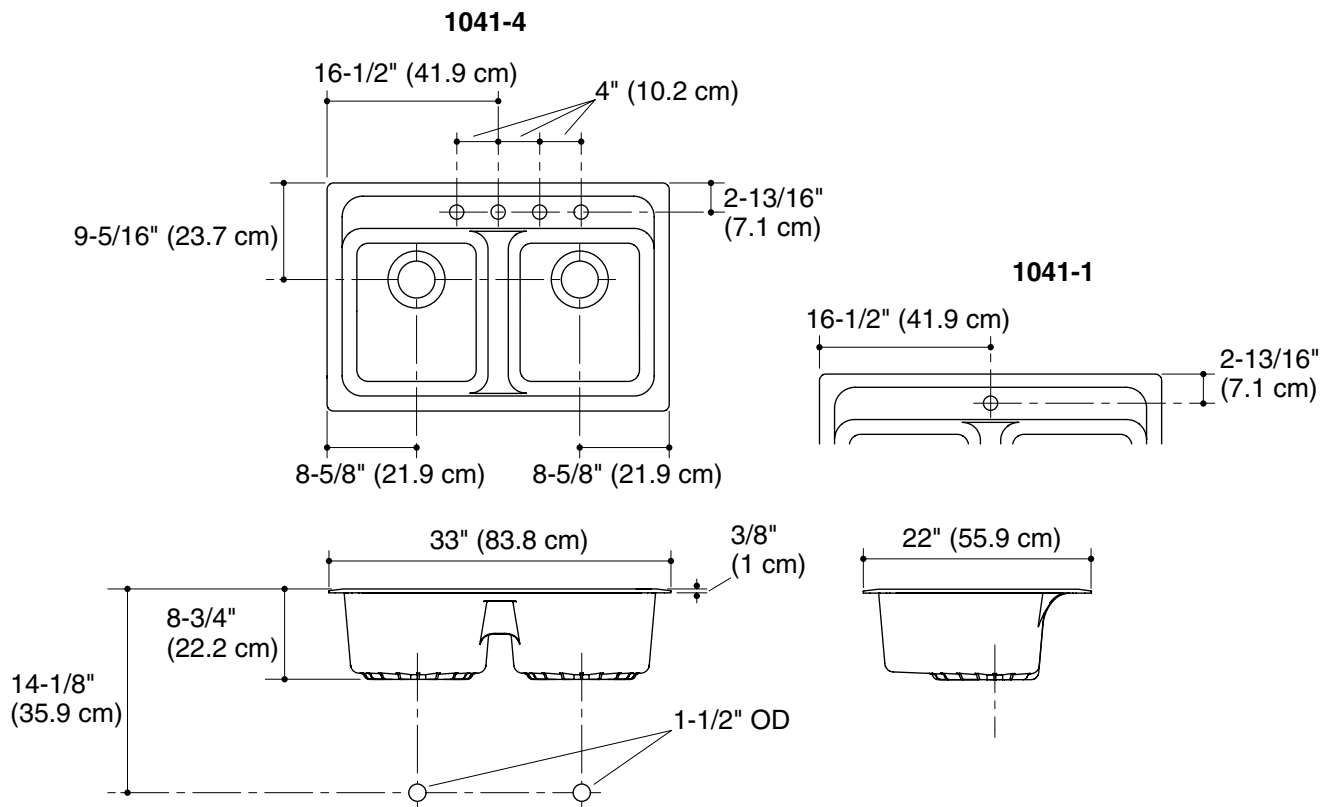
Model	Description	Faucet Holes	Quantity	Basin Depth	Colors/Finishes	
1041-1	Kitchen sink	1	1	8" (20.3 cm)	<input type="checkbox"/> 0	<input type="checkbox"/> Other
1041-4	Kitchen sink	4	1	8" (20.3 cm)	<input type="checkbox"/> 0	<input type="checkbox"/> Other

Technical Information

Fixture*:	
Basin area (left)	13-15/16" (35.4 cm) x 15-13/16" (40.2 cm)
Basin area (right)	13-15/16" (35.4 cm) x 15-13/16" (40.2 cm)
Drain holes	3-1/2" (8.9 cm) D.
Faucet holes	1-3/8" (3.5 cm) D.
Cut-out size (approximate measurement for planning purposes only)	31-1/2" (80 cm) x 20-1/2" (52.1 cm)
* Approximate measurements for comparison only.	

Installation Notes

Install this product according to the installation guide.



Product Diagram