

# STERLING®

A KOHLER COMPANY

## Features

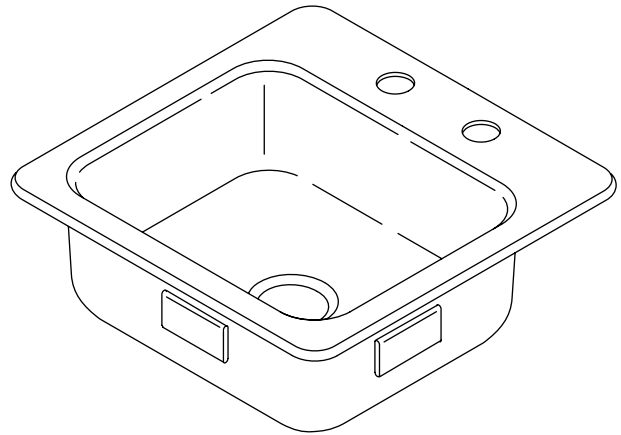
- Includes SilentShield® sound-absorption technology
- Designer styling with rounded corners
- Single basin, ledge back sink
- 23-gauge stainless steel
- Stud mounting
- Buffed basin finish
- Satin-sanded deck and buffed basin finish
- 15" (38.1 cm) x 15" (38.1 cm) x 5-1/2" (14 cm)

## Codes/Standards Applicable

Specified model meets or exceeds the following:

- ASME A112.19.3/CSA B45.4

## SINGLE BASIN ENTERTAINMENT SINK B155



## Colors/Finishes

- NA: None applicable

## Specified Model

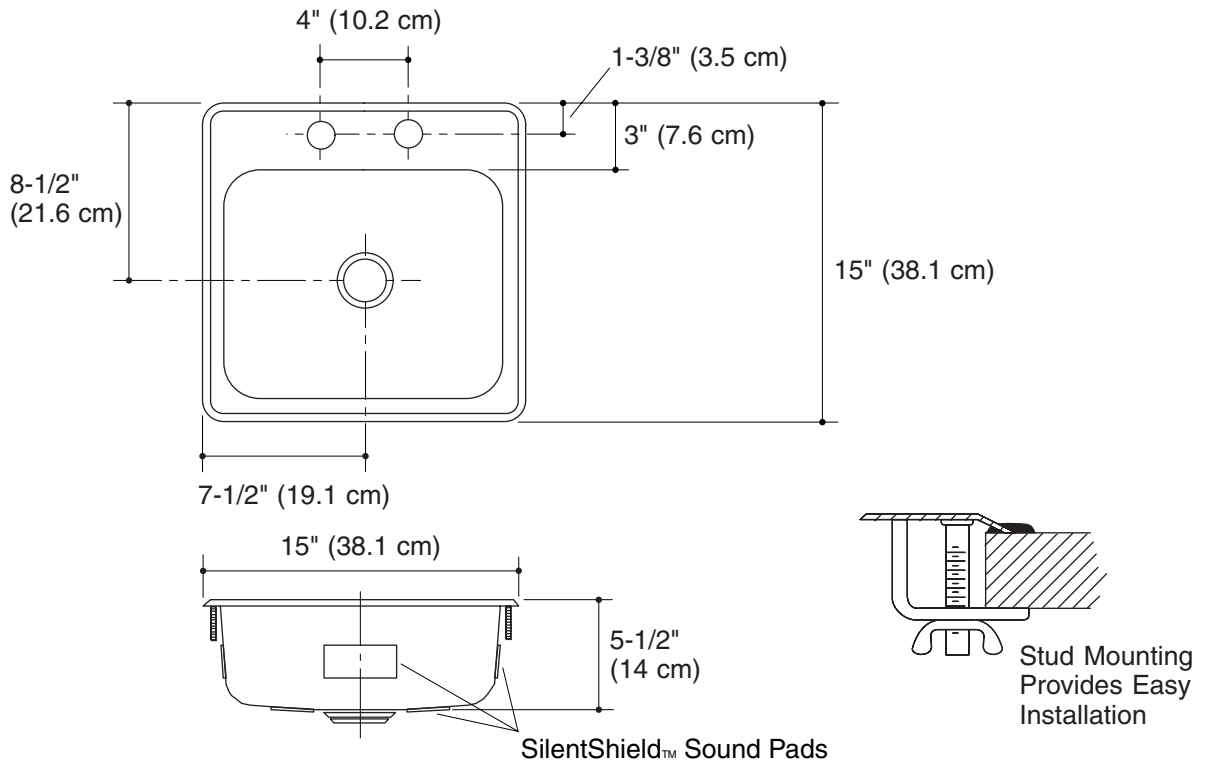
Model	Description	Faucet Holes	Colors/Finishes
B155-1	Stainless steel, single basin sink, satin-sanded deck finish	1	<input type="checkbox"/> NA
B155B-1	Stainless steel, single basin sink, satin-sanded deck finish; chrome strainer included	1	<input type="checkbox"/> NA
B155-2	Stainless steel, single basin sink, satin-sanded deck finish (shown)	2	<input type="checkbox"/> NA
B155B-2	Stainless steel, single basin sink, satin-sanded deck finish; chrome strainer included	2	<input type="checkbox"/> NA

## Technical Information

Fixture:*	cutout Size	basin Area
Sink	14-1/4" (36.2 cm) x 14-1/4" (36.2 cm)	13-1/4" (33.7 cm) x 11" (27.9 cm)
Drain	2" (5 cm) D.	
Faucet Holes	1-7/16" (3.7 cm) D.	
* Approximate measurements for comparison only.		

## Installation Notes

Install this product according to the installation notes.



## Product Diagram