



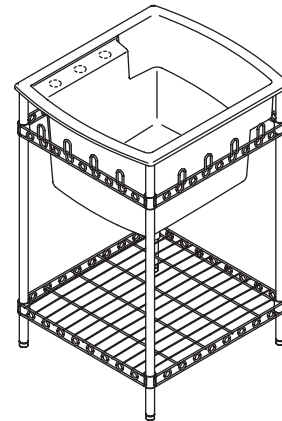
A KOHLER COMPANY

LATITUDE™

## UTILITY SINK WITH STAND 996

### Features

- Compression molded from Sterling's exclusive solid Vikrell® material
- Multi-functional stepped design
- Self-rimming or undercounter
- Durable Bond finish
- Utility sink is compression molded
- Utility sink is multi-functional stepped design
- Utility sink has a durable bond finish
- Up to 3 faucet hole configuration
- Steel stand is grey powder-coated and provides storage space
- 36" (91.4 cm) comfortable working height
- Foot levelers and wall brackets included
- Limited lifetime warranty
- 25" (63.5 cm) x 22" (55.9 cm) x 36" (91.4 cm)



### Codes/Standards Applicable

Specified sink meets or exceeds the following:

- ASTM E162
- ASTM E662
- CSA B45.0
- CSA B45.5
- IAPMO/cUPC (sink only)

### Colors/Finishes

- 0: White
- 47: Almond
- 96: Biscuit

### Specified Model

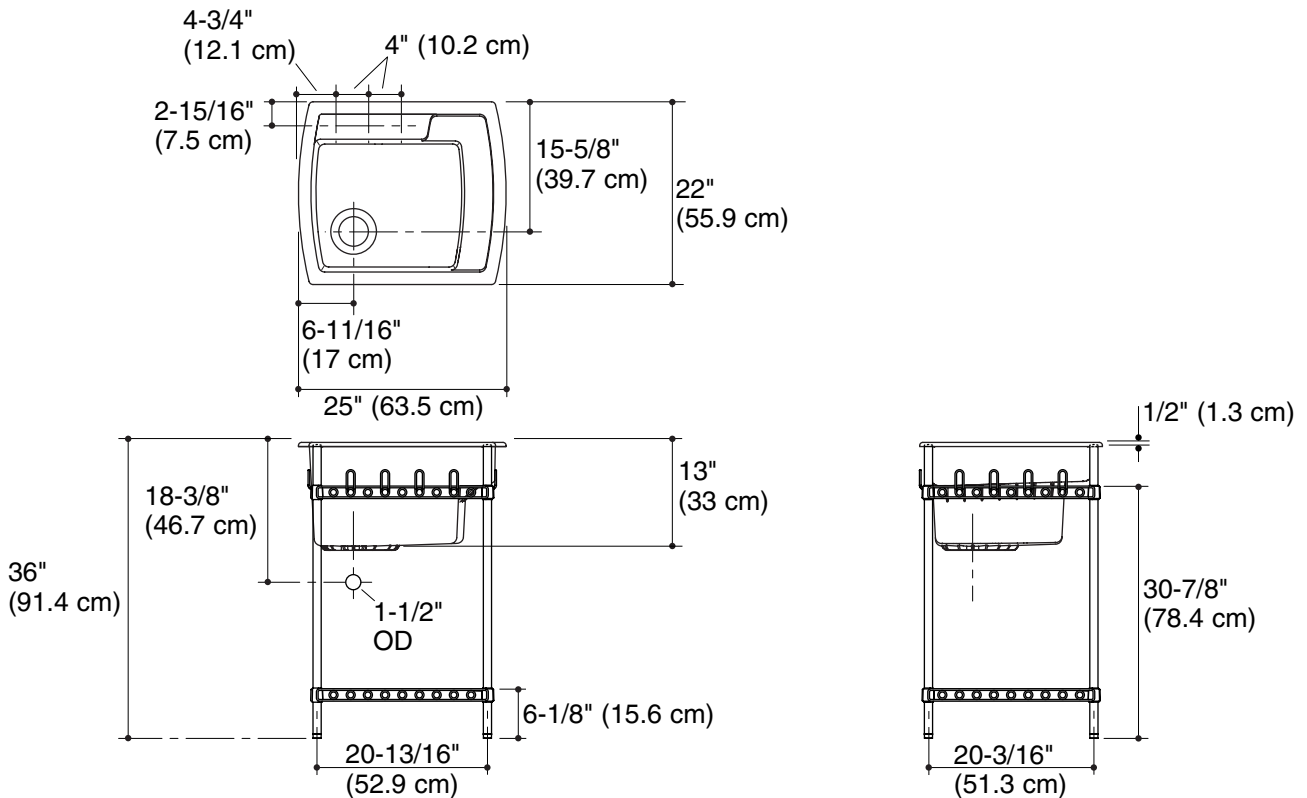
Model	Description	Colors/Finishes		
996	Utility sink with stand	<input type="checkbox"/> 0	<input type="checkbox"/> 47	<input type="checkbox"/> 96

### **SterlingPlumbing.com**

Visit us online for fixture color choices, detailed product information, color photos, installation instructions, care guides, and warranties. Sterling offers additional lines of plumbing products to complement the Sterling product you've chosen. Sign up for the Sterling e-newsletter to learn more about our latest product innovations. You may also reach us by calling the Sterling Answer Center from within the USA at 1-888-STERLING in addition to consulting with your local dealer.

## Technical Information

Fixture*:	
Basin area	22" (55.9 cm) x 16" (40.6 cm)
Drain hole	3-1/2" (8.9 cm) D.
* Approximate measurements for comparison only.	



## Product Diagram