



**Features**

- Unique quarter-deck design provides shelf space for storage and cleaning.
- Surface texture maintains superior stain and scratch resistance.
- Drill marks provided for faucet hole drilling.

**Material**

- Compression molded from our exclusive solid Vikrell® material.

**Installation**

- Installed as top-mount or undermount.



**Codes/Standards**

CSA B45.5/IAPMO Z124  
Greenguard UL 2818 - Gold  
All applicable US Federal and State material regulations



**STERLING® Warranty - Fixtures Made of Solid Vikrell Material**

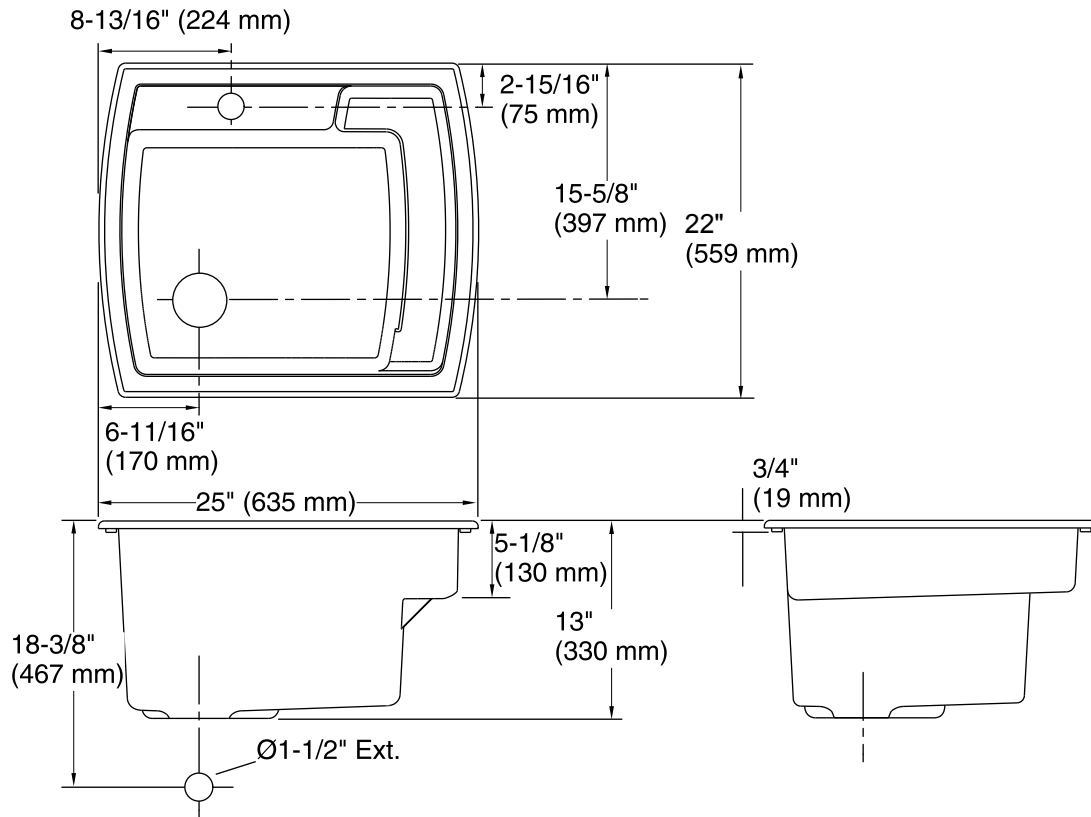
See website for detailed warranty information.

**Available Color/Finishes**

*Color tiles intended for reference only.*

**Color Code Description**

	0	White
	96	Biscuit



### Technical Information

All product dimensions are nominal.

Bowl configuration: Single

Installation: Top-mount, Under-mount

Bowl area (Only) Length: 22" (559 mm)  
Width: 16" (406 mm)  
Bowl depth: 12-1/4" (311 mm)  
Water depth: 12-1/4" (311 mm)

Number of deck holes: 3

Faucet hole(s): 1-3/8" (35 mm)

Drain hole: 3-1/2" (89 mm)

Template: Top-mount/Under-mount, 1148620-7,  
required, included