



A KOHLER COMPANY

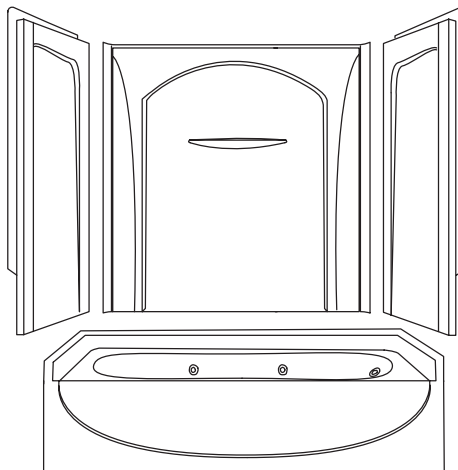
ACCLAIM™

## Features

- 1-1/4 hp pump with air switch and grounding-type plug-in cord
- Compression molded from Sterling's exclusive solid VIKRELL™ material
- Lightly pebbled bottom surface for sure footing
- Tongue-and-groove "snap together" design allows for caulkless installation
- Durable high gloss finish
- 5 Jets
- 10 year consumer/3 year commercial limited warranty, pump motor assembly has 1 year limited warranty
- 60" (152.4 cm) x 31-1/2" (80 cm) x 73-1/2" (186.7 cm) complete unit rough-in dimensions include flange
- 60" (152.4 cm) x 30" (76.2 cm) x 72" (182.9 cm) complete unit finished dimensions

## 60" (152.4 cm) BATH/SHOWER WHIRLPOOL SYSTEM 76090110

ALSO 76090120, 76091110, 76091120



## Codes/Standards Applicable

Specified model meets or exceeds the following:

- ASME A112.19.7
- ANSI Z124.1
- IAPMO/UPC
- Underwriter's Laboratories (UL)
- NAHB Research Foundation, Inc.

## Colors/Finishes

- 0: White
- Other: Refer to Price Book for additional colors/finishes

## Specified Model

Model	Complete Unit Description	Colors/Finishes	
76090110	60" (152.4 cm) bath whirlpool and wall surround, left drain	<input type="checkbox"/> 0 White	<input type="checkbox"/> Other _____
76090120	60" (152.4 cm) bath whirlpool and wall surround, right drain	<input type="checkbox"/> 0 White	<input type="checkbox"/> Other _____
76091110	60" (152.4 cm) bath whirlpool, left drain	<input type="checkbox"/> 0 White	<input type="checkbox"/> Other _____
76091120	60" (152.4 cm) bath whirlpool, right drain	<input type="checkbox"/> 0 White	<input type="checkbox"/> Other _____

Model	Wall Component Description	Colors/Finishes	
71092100	Back wall	<input type="checkbox"/> 0 White	<input type="checkbox"/> Other _____
71093110	Left end wall	<input type="checkbox"/> 0 White	<input type="checkbox"/> Other _____
71093120	Right end wall	<input type="checkbox"/> 0 White	<input type="checkbox"/> Other _____
71094100	Complete wall set	<input type="checkbox"/> 0 White	<input type="checkbox"/> Other _____
71095100	End wall set	<input type="checkbox"/> 0 White	<input type="checkbox"/> Other _____

## SterlingPlumbing.com

Visit us online for fixture color choices, detailed product information, color photos, installation instructions, care guides, and warranties. Sterling offers additional lines of plumbing products to complement the Sterling product you've chosen. Sign up for the Sterling monthly e-newsletter which showcases our latest product innovations. You may also call our Sterling Plumbing Answer Center from within the USA at 1-888-STERLING in addition to consulting with your local dealer. Sterling. Strong. Professional. Design.

## Technical Information

Fixture:*	basin area	top area
Bathing well	44" (111.8 cm) x 16" (40.6 cm)	56" (142.2 cm) x 23-1/2" (59.7 cm)
	water depth	capacity
To overflow	12" (30.5 cm)	34 gals. (128.7 L)

\* Approximate measurements for comparison only.

Pump:	HP	V	Hz	A
1-speed	1-1/4	120	60	7

Model	door maximum width	door maximum height
76090110 76090120	58-1/2" (148.4 cm)	56-1/2" (143.5 cm)
76091110 76091120	*58-1/2" (148.4 cm)	*N/A

\* Varies with alternative walls.

## Required Electrical Service

Dedicated circuit required, protected with Class A Ground-Fault Circuit-Interrupter (GFCI):	
Pump	120 V, 15 A, 60 Hz

## Installation Notes

Install this product according to the installation guide.

Pump is supplied with a grounding-type plug-in cord. Locate the outlet behind the whirlpool, and within 24" (61 cm) of the pump.

Pump access opening is required.

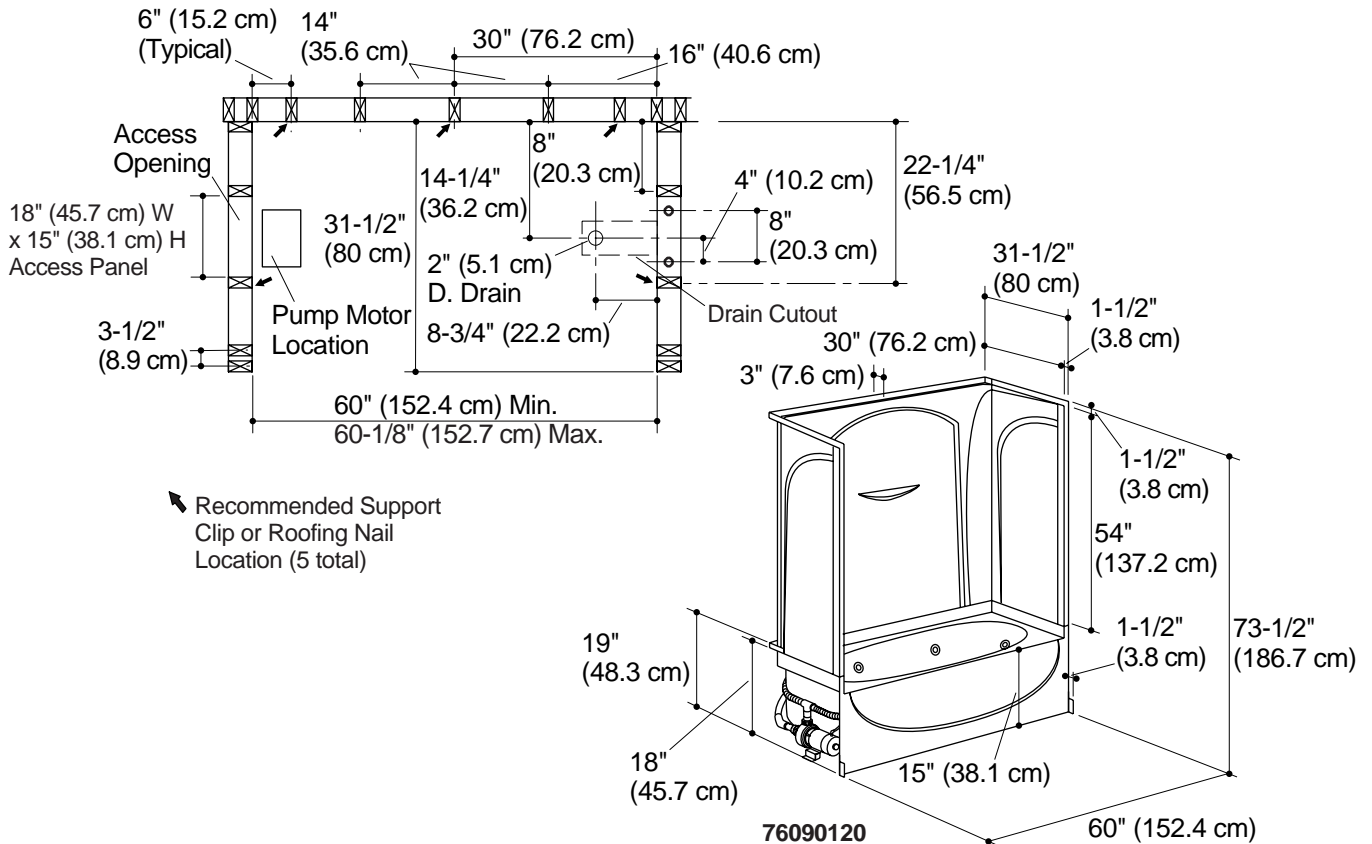
Do not disassemble the pump or piping as this could void the warranty.

Size the drain cutout to fit the drain assembly that will be used.

End stud positioning is critical if nailing-in flanges are to be used.

Double studding is recommended for pivot shower door installations.

Studs should be positioned roughly as shown for support clip or roofing nail installation.



## Product Diagram