

STERLING®

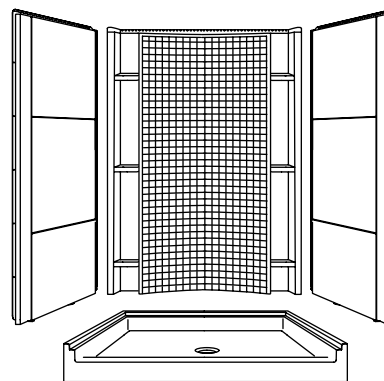
A KOHLER COMPANY

ACCORD®

Features

- Compression molded from our exclusive solid Vikrell® material
- Modular 4-piece design
- Pivot "snap together" installation
- Convenient shelves provide generous storage
- Durable high-gloss finish
- 10-year consumer/3-year commercial limited warranty
- Caulkless seam installation
- 36-1/4" (92.1 cm) x 37-1/4" (94.6 cm) x 77" (195.6 cm) rough-in dimensions include nailing flange
- 36" (91.4 cm) x 36" (91.4 cm) x 75-3/4" (192.6 cm) complete unit finished dimensions

36" (91.4 cm) SHOWER RECEPTOR AND WALL SURROUND 72240100



Codes/Standards Applicable

Specified model meets or exceeds the following:

- ANSI Z124.1.2
- ASTM E162
- ASTM E662
- CSA B45

Colors/Finishes

- 0: White
- Other: Refer to Price Book for additional colors/finishes

Specified Model

Model	Complete Unit Description	Colors/Finishes	
72240100	36" (91.4 cm) shower receptor and wall surround	<input type="checkbox"/> 0	<input type="checkbox"/> Other _____

Model	Wall Component Description	Colors/Finishes	
72242100	36" (91.4 cm) backwall	<input type="checkbox"/> 0	<input type="checkbox"/> Other _____
72241100	36" (91.4 cm) receptor	<input type="checkbox"/> 0	<input type="checkbox"/> Other _____
72245100	Endwall set	<input type="checkbox"/> 0	<input type="checkbox"/> Other _____

Model	Age in Place Component Description	Colors/Finishes	
72240106	36" (91.4 cm) shower receptor with age in place backers	<input type="checkbox"/> 0	<input type="checkbox"/> Other _____
72245106	Endwall set, age in place backers	<input type="checkbox"/> 0	<input type="checkbox"/> Other _____

Technical Information

Model	door maximum width	door maximum height
72240100	32-5/8" (82.9 cm)	72" (182.9 cm)

End stud positioning is critical.

Double studding is recommended for pivot shower door installations.

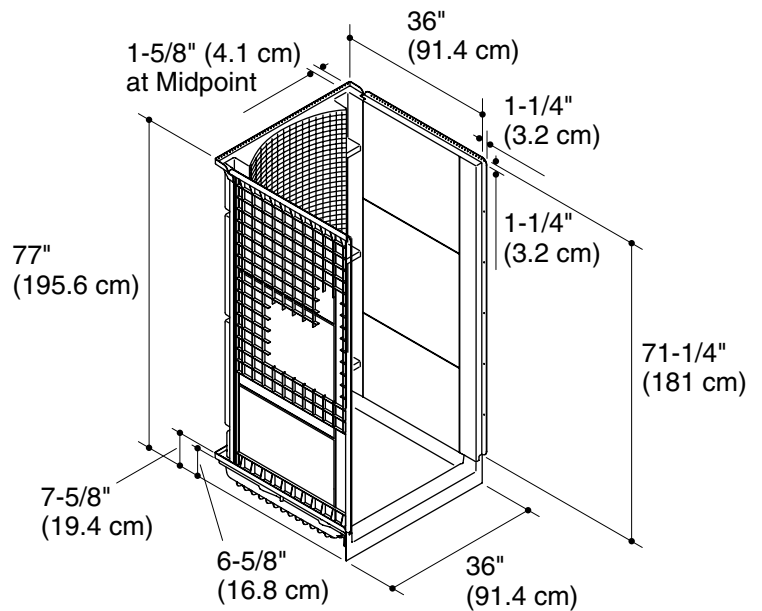
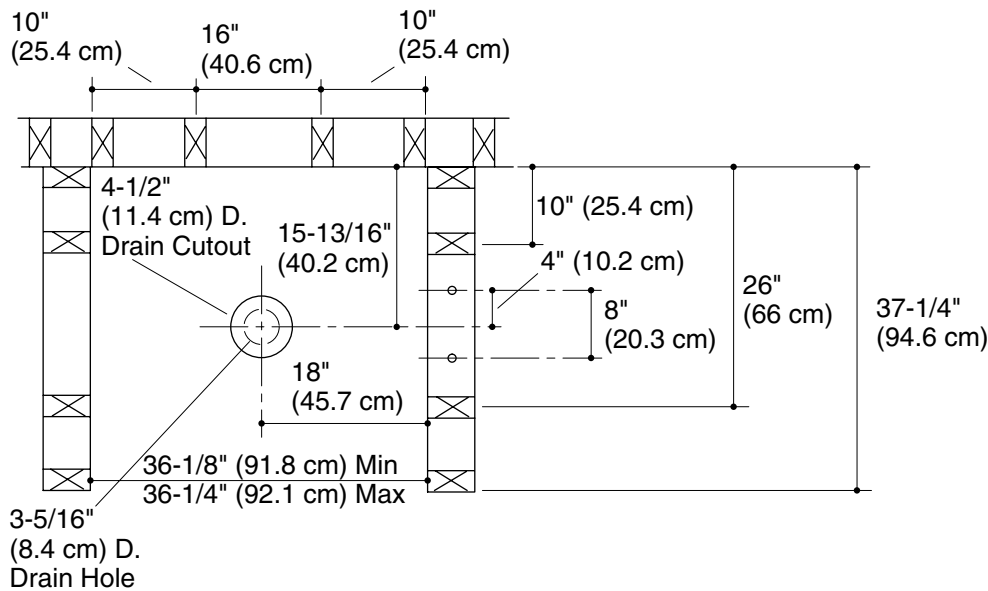
Studs should be positioned roughly as shown.

Receptor cannot be installed without the wall surround.

Installation Notes

Install this product according to the installation guide.

Size the drain cutout to fit the drain assembly that will be used.



Product Diagram