



Accord®

42" Shower with Backer Boards
72250106



Features

- Modular design allows it to be moved around corners and through doorways with ease.
- Durable high gloss finish.
- Convenient shelves provide generous storage space.
- Geometric back wall design adds visual interest.
- Wall surround includes backer boards for future grab bar installation.
- 42" (1067 mm) x 36" (914 mm) x 75-3/4" (1926 mm) complete unit finished dimensions.

Material

- Compression molded from our exclusive Vikrell® material.

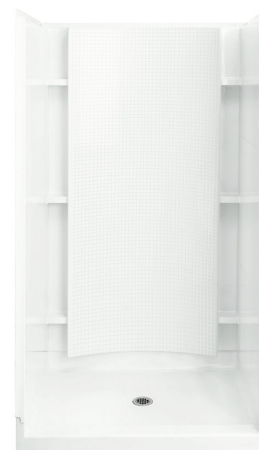
Installation

- Four-piece modular design with pivot "snap together" installation.
- Caulk-free installation.

Components

Product includes:

- 72245106 36" Shower End Wall Set with Backer Boards
- 72251100 42" Shower Base
- 72252100 42" Shower Back Wall



Codes/Standards

CSA B45.5/IAPMO Z124
ASTM E162
ASTM E662
Greenguard UL 2818 - Gold
HUD, UM Bulletin 73



STERLING® Warranty - Fixtures Made of Solid Vikrell Material

See website for detailed warranty information.

Available Color/Finishes

Color tiles intended for reference only.

Color	Code	Description
-------	------	-------------

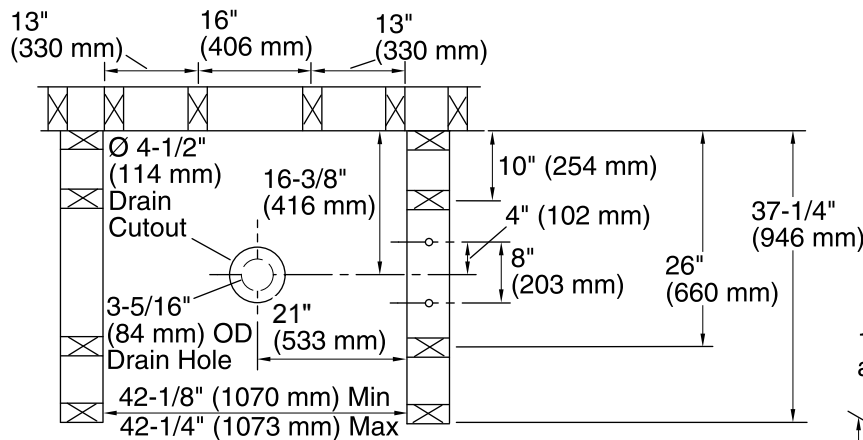
- | | | |
|--|----|---------|
|  | 0 | White |
|  | 96 | Biscuit |

USA/Canada: 1-800-STERLING (1-800-783-7546)


Kohler Co. reserves the right to make revisions without notice to product specifications.

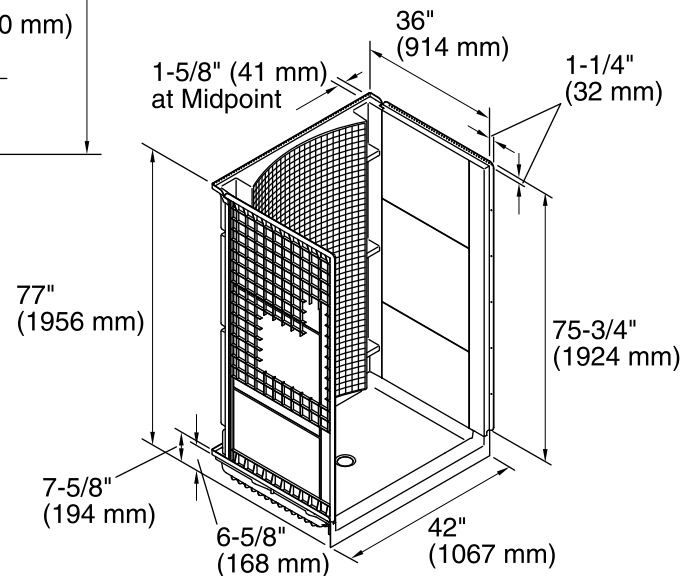
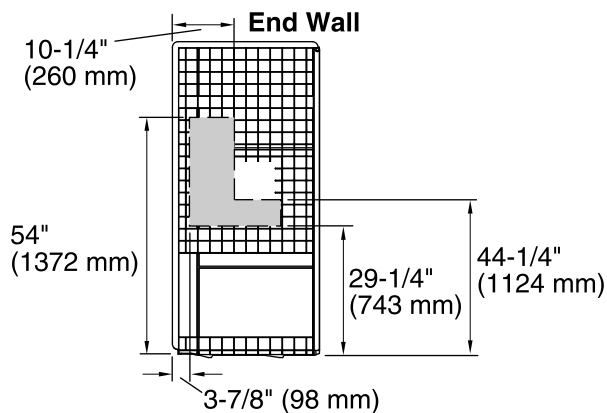
For the most current Specification Sheet, go to www.sterlingplumbing.com.

8-11-2015 02:43



Note: Right end wall is the same as left end wall, only mirrored.

 Backer board locations



Technical Information

All product dimensions are nominal.

Installation: 3-Wall Alcove

Drain location: Center

Door height required: 72" (1829 mm)

Door width required: 38-5/8" (981 mm)

Notes

Install this product according to the installation guide.

Double studding is recommended for pivot shower door installations.

Studs should be positioned roughly as shown.

Attach grab bars at the specified backer board locations only.

Receptor cannot be installed without the wall surround.