



Ensemble™

48-1/4" x 34" curve shower stall w/AIP backerboards

72220106



Features

- 4-1/2" (114 mm) threshold.
- Durable high-gloss finish.
- Center drain.
- Three-piece, tongue-and-groove walls with snap-together installation.
- Convenient shelves, shaving ledge/footrest.
- Aging In Place backerboards.

Material

- Made from solid Vikrell® material for strength, durability, and lasting beauty.

Installation

- Alcove.
- Some caulk required for proper installation.

Recommended Products/Accessories

- 1500D-48 Framed pivot shower door
- 1505D-48 Framed pivot shower door
- 1506D-48 Framed pivot shower door
- 1530D-48 Framed pivot shower door
- 1535D-48 Framed pivot shower door
- 5475-48 Frameless sliding shower door
- 5477-48 Frameless sliding shower door
- 5970-48 Framed sliding shower door
- 5975-48 Framed sliding shower door
- 5976-48 Framed sliding shower door
- 5977-48 Framed sliding shower door
- 547808-48 Frameless sliding shower door
- 572075-48 Framed sliding shower door
- 581075-48 Frameless sliding shower door
- 80001012 12" straight grab bar
- 80001018 18" straight grab bar
- 80001024 24" straight grab bar
- 80011032 32" straight grab bar
- 80001036 36" straight grab bar
- K-23726 Drain treatment
- K-23733 Vikrell® cleaner

Included Components

Product consists of:

- 72121100 48" x 34" shower base
- 72222106 48" curve shower back wall w/Aging in Place backerboard
- 72205106 34" x 72-1/2" shower end wall set w/AIP backerboards



Codes/Standards

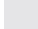

- CSA B45.5/IAPMO Z124
- ASTM E162
- ASTM E662
- HUD, UM Bulletin 73

Warranty – Bathing Fixtures (and) Kitchen and Utility Sinks Made of Solid Vikrell® Material

See website for detailed warranty information.

Available Colors/Finishes

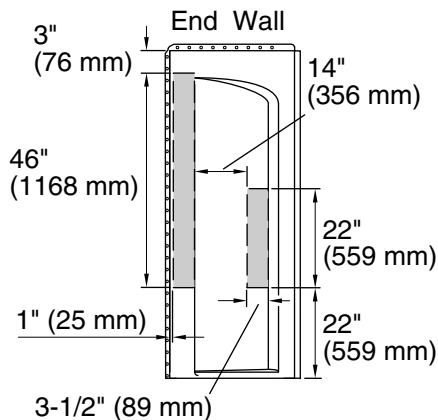
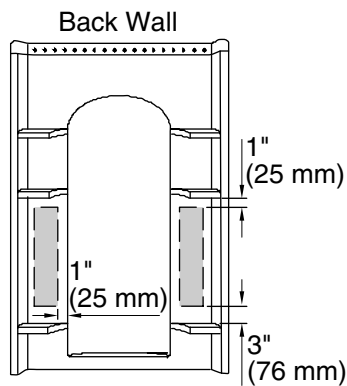
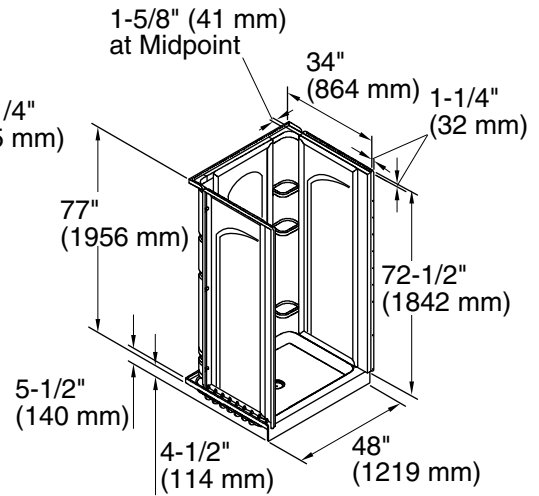
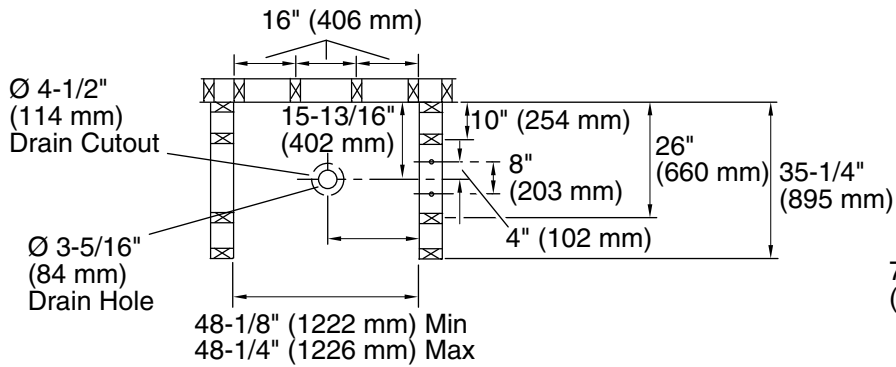
Color tiles intended for reference only.

Color	Code	Description
	0	White
	96	KOHLER Biscuit

1-800-STERLING (1-800-783-7546)

Kohler Co. reserves the right to make revisions without notice to product specifications.

For the most current Specification Sheet, go to www.sterlingplumbing.com.



Note: Right and left end walls are the same, only mirrored.

Backer board locations

Technical Information

All product dimensions are nominal.

Installation:	Three-wall alcove
Drain location:	Center
Maximum door height:	70-1/2" (1791 mm)
Maximum door width:	44-5/8" (1133 mm)

Notes

- Install this product according to the installation instructions.
- Attach grab bars at the specified backer board locations only.
- Studs should be positioned roughly as shown.
- Double studding is recommended for pivot shower door installations.