

STERLING®

A KOHLER COMPANY

Features

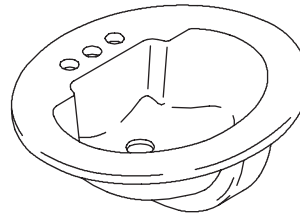
- Durable high-gloss or swirl-gloss finish
- 10-year consumer/3-year commercial limited warranty
- Self-rimming design
- Compression molded from our exclusive Vikrell® material
- 4" (10.2 cm) on center faucet mounting holes
- 20" (50.8 cm) x 17" (43.2 cm) x 7-5/8" (19.4 cm)

Codes/Standards Applicable

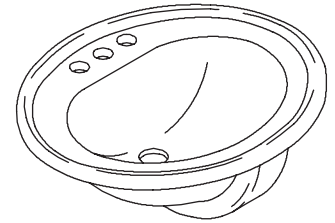
Specified model meets or exceeds the following:

- IAPMO/UPC
- ANSI Z124.3
- ASTM E84
- HUD, UM Bulletin 73A
- NAHB Research Foundation, Inc.

OVAL LAVATORY
75010140
ALSO 65010140



65010140



75010140

Colors/Finishes

- 0: White
- Other: Refer to Price Book for additional colors/finishes

Accessories:

- NA: None applicable

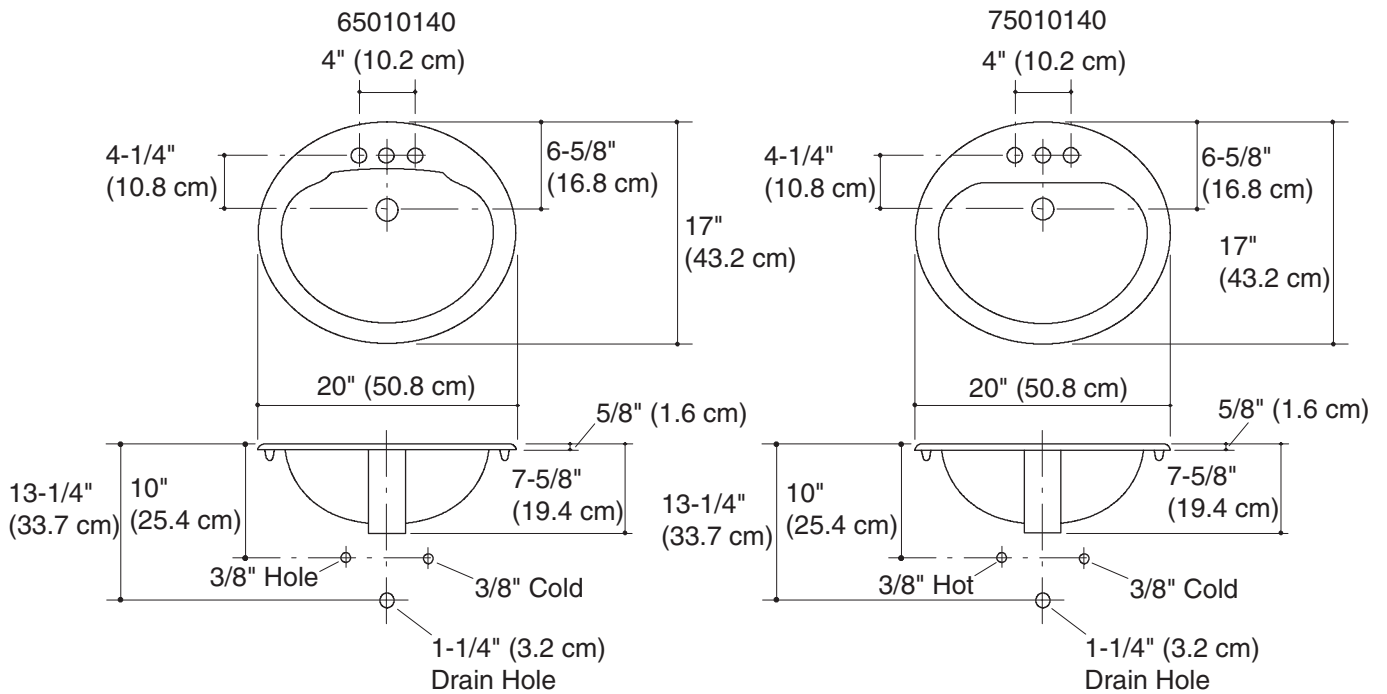
Specified Model

Model	Description	Quantity	Colors/Finishes	
75010140-*	High gloss lavatory basin, 4" (10.2 cm) centers	1	<input type="checkbox"/> 0	<input type="checkbox"/> Other _____
65010140-*	Swirl gloss lavatory basin, 4" (10.2 cm) centers	1	<input type="checkbox"/> 0	<input type="checkbox"/> Other _____
65010640-*	Swirl gloss lavatory basin, 4" (10.2 cm) centers	6	<input type="checkbox"/> 0	<input type="checkbox"/> Other _____
*Note: Add appropriate color/finish code to the end of the unit model # when ordering				

Technical Information

Fixture*:	basin area	water depth
Lavatory	15-3/4" (40 cm) x 10-3/4" (27.3 cm)	4-7/8" (12.4 cm)
* Approximate measurements for comparison only.		

Holes	75010140	65010140
Spout	1-3/16" (3 cm) D.	1-3/16" (3 cm) D.
Faucet	1-3/16" (3 cm) D.	1-3/16" (3 cm) D.
Drain	1-3/4" (4.4 cm) D.	1-3/4" (4.4 cm) D.
Drain hole	1-1/4" (3.2 cm) D.	1-1/4" (3.2 cm) D.



Product Diagram