

STERLING®

A KOHLER COMPANY

FINESSE™

Features

- CleanCoat® glass coating
- Frameless design maximizes glass area
- Inside and outside elegant pull handles
- Two roller-compression latches allow for smooth, secure door closure
- A concealed hinge provides smooth, stable operation
- No top header eliminates clearance issues
- Aluminum components extruded from alloy 6063-T5
- 1/4" (6 mm) thick tempered glass
- Available in sizes to fit 28-3/4" (730 mm) to 39" (991 mm) opening
- 1-1/2" (38 mm) width adjustability per model

Codes/Standards Applicable

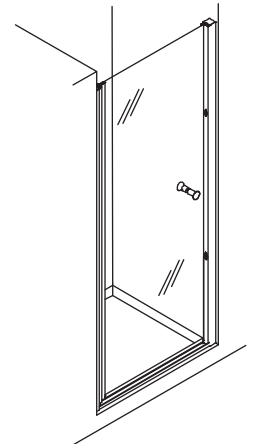
Specified model meets or exceeds the following:

- ANSI Z97.1 (tempered glass)
- 16 CFR Part 1201

Specified Model

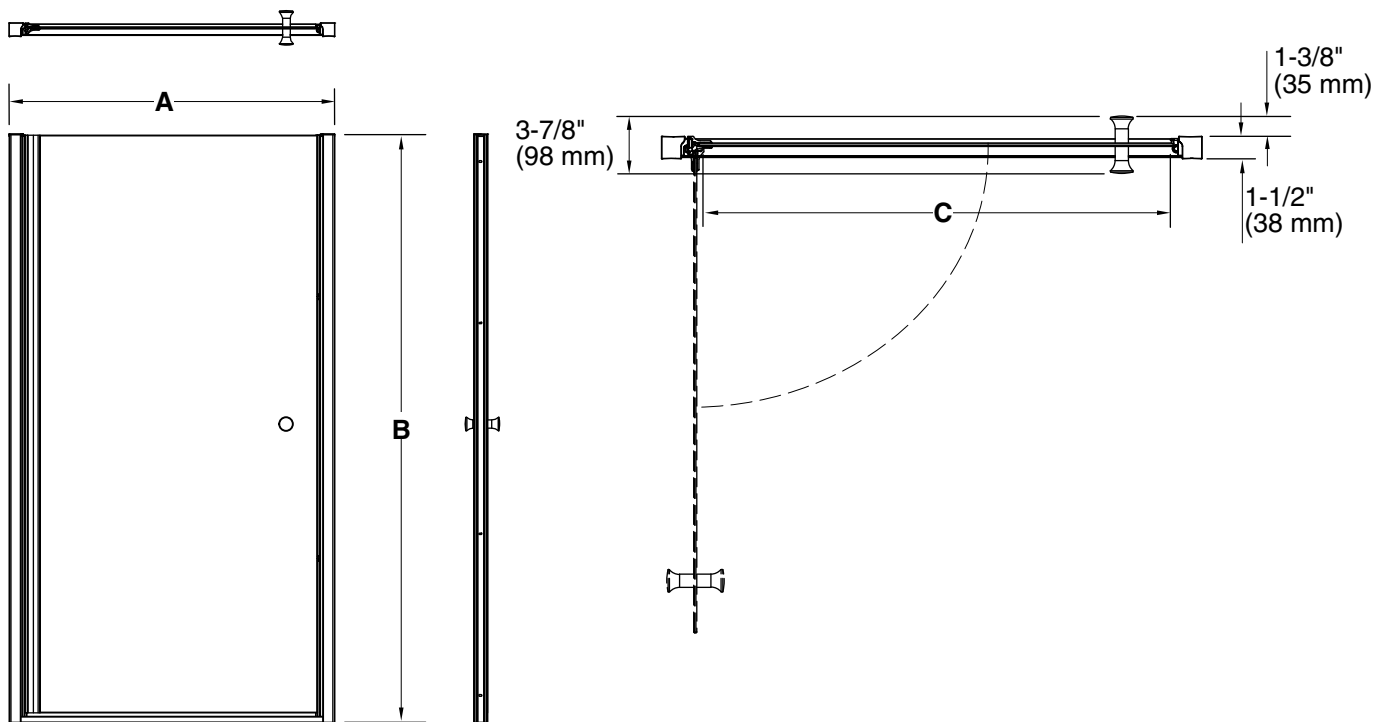
Model	A Width (Max/Min)*	B (Height)*	C (Walk Through Max)*
6305-30**	30-1/4" (768 mm) / 28-3/4" (730 mm)	65-1/2" (1664 mm)	23-13/16" (605 mm)
6305-31**	31-1/2" (800 mm) / 30" (762 mm)	65-1/2" (1664 mm)	25-1/16" (637 mm)
6305-32**	32-3/4" (832 mm) / 31-1/4" (794 mm)	65-1/2" (1664 mm)	26-5/16" (668 mm)
6305-34**	34" (864 mm) / 32-1/2" (826 mm)	65-1/2" (1664 mm)	27-9/16" (700 mm)
6305-35**	35-1/4" (895 mm) / 33-3/4" (857 mm)	65-1/2" (1664 mm)	28-13/16" (732 mm)
6305-36**	36-1/2" (927 mm) / 35" (889 mm)	65-1/2" (1664 mm)	30-1/16" (764 mm)
6305-37**	37-3/4" (959 mm) / 36-1/4" (921 mm)	65-1/2" (1664 mm)	31-5/16" (795 mm)
6305-39**	39" (991 mm) / 37-1/2" (953 mm)	65-1/2" (1664 mm)	32-9/16" (827 mm)
* Note: Consult the diagram on the next page for the location of the measurements.			
** Note: Add appropriate frame color/finish code to the end of the unit model # when ordering.			

FRAMELESS HINGE SHOWER DOOR 6300 Series



Colors/Finishes

- Refer to the Price Book for current frame finish and glass options



Product Diagram