



### Features

- Modular design allows it to be moved around corners and through doorways with ease.
- Durable swirl gloss finish.
- Two shelves and an acrylic towel bar on the back wall.
- 36" (813 mm) x 34" (864 mm) x 72" (1829 mm) complete unit finished dimensions.

### Material

- Compression molded from our exclusive Vikrell® material.

### Installation

- Tongue-and-groove four piece modular design allows for easy snap together installation.
- Some caulk required for proper installation.

### Components

Product includes:

62022100 36" Shower Back Wall

62015100 32" Shower End Wall



### Codes/Standards

CSA B45.5/IAPMO Z124

ASTM E162

ASTM E662

Greenguard UL 2818 - Gold

HUD, UM Bulletin 73



### STERLING® Warranty - Fixtures Made of Solid Vikrell Material

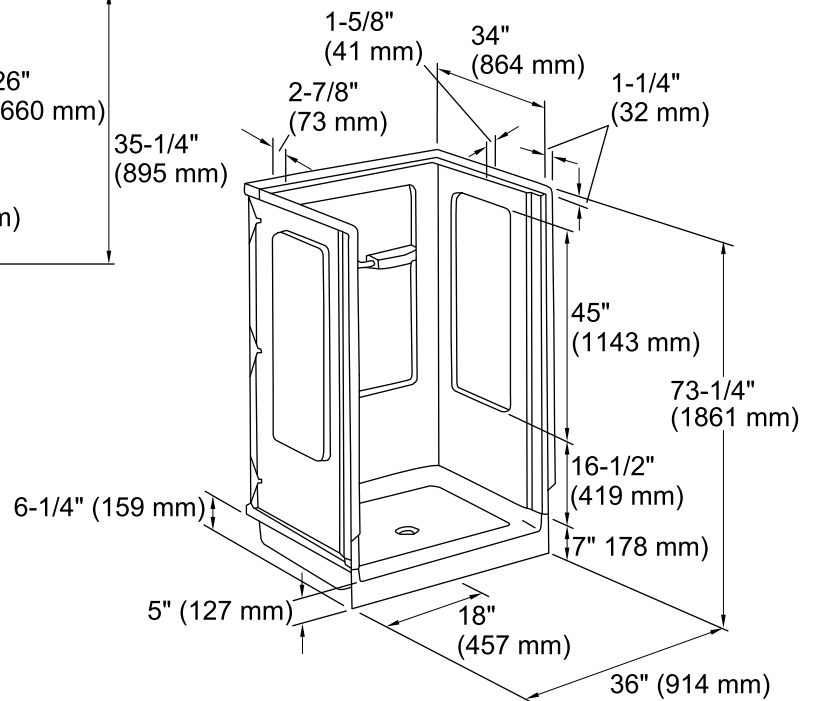
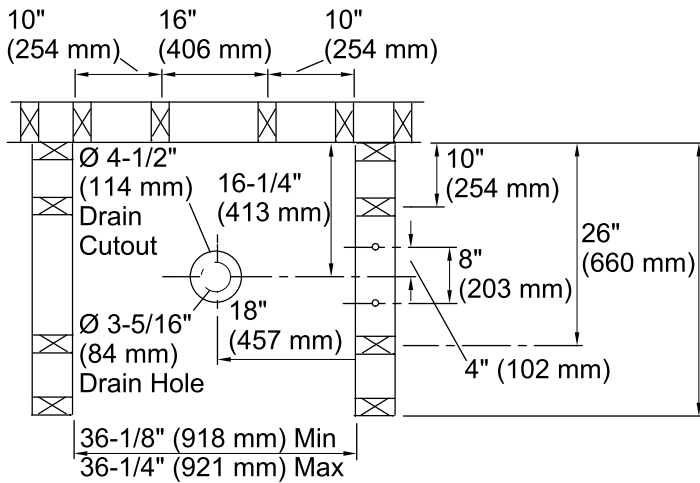
See website for detailed warranty information.

### Available Color/Finishes

*Color tiles intended for reference only.*

Color	Code	Description
-------	------	-------------

- |  |    |         |
|--|----|---------|
|  | 0  | White   |
|  | 96 | Biscuit |



### Technical Information

All product dimensions are nominal.

Installation: 3-Wall Alcove

Drain location: Center

Door height required: 67" (1702 mm)

Door width required: 33-1/2" (851 mm)

### Notes

Install this product according to the installation guide.

Double studding is recommended for pivot shower door installations.

Studs should be positioned roughly as shown.