

STERLING®

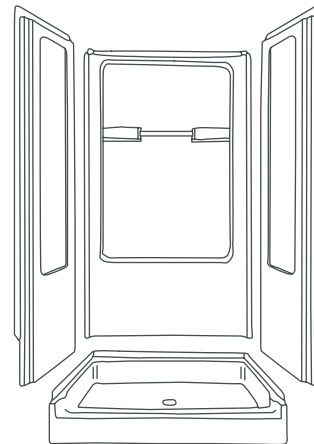
A KOHLER COMPANY

ADVANTAGE™

Features

- Compression molded from our exclusive solid Vikrell® material
- Tongue-and-groove 4-piece modular design allows for easy "snap together" installation
- Durable swirl-gloss finish
- 10-year consumer/3-year commercial limited warranty
- 36-1/4" (92.1 cm) x 35-1/4" (89.5 cm) x 73-1/4" (186.1 cm) complete unit rough-in dimensions include flange
- 36" (91.4 cm) x 34" (86.4 cm) x 72" (182.9 cm) complete unit finished dimensions

36" (91.4 cm) SHOWER RECEPTOR AND WALL SURROUND 62020100



Codes/Standards Applicable

Specified model meets or exceeds the following:

- ASTM E162
- ASTM E662
- ANSI Z124.1.2
- HUD, UM Bulletin 73A
- NAHB Research Foundation, Inc.

Colors/Finishes

- 0: White
- Other: Refer to Price Book for additional colors/finishes

Specified Model

Model	Complete Unit Description	Colors/Finishes	
62020100	36" (91.4 cm) shower receptor and wall surround	<input type="checkbox"/> 0	<input type="checkbox"/> Other_____
Model	Wall Component Description	Colors/Finishes	
62022100	Back wall	<input type="checkbox"/> 0	<input type="checkbox"/> Other_____
62013110	Left end wall	<input type="checkbox"/> 0	<input type="checkbox"/> Other_____
62013120	Right end wall	<input type="checkbox"/> 0	<input type="checkbox"/> Other_____
62015100	End wall set	<input type="checkbox"/> 0	<input type="checkbox"/> Other_____

Technical Information

Model	door maximum width	door maximum height
62020100	33-1/2" (85.1 cm)	67" (170.2 cm)

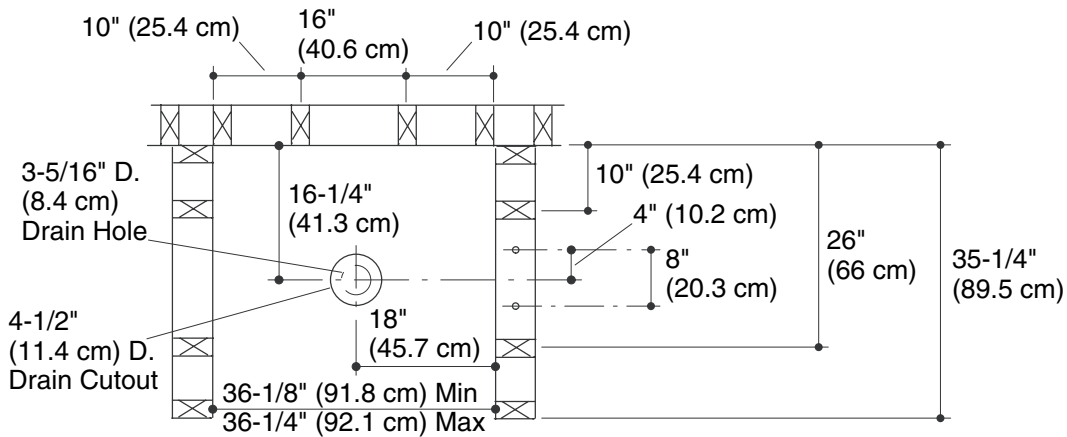
Double studding is recommended for pivot shower door installations.

Studs should be positioned roughly as shownn.

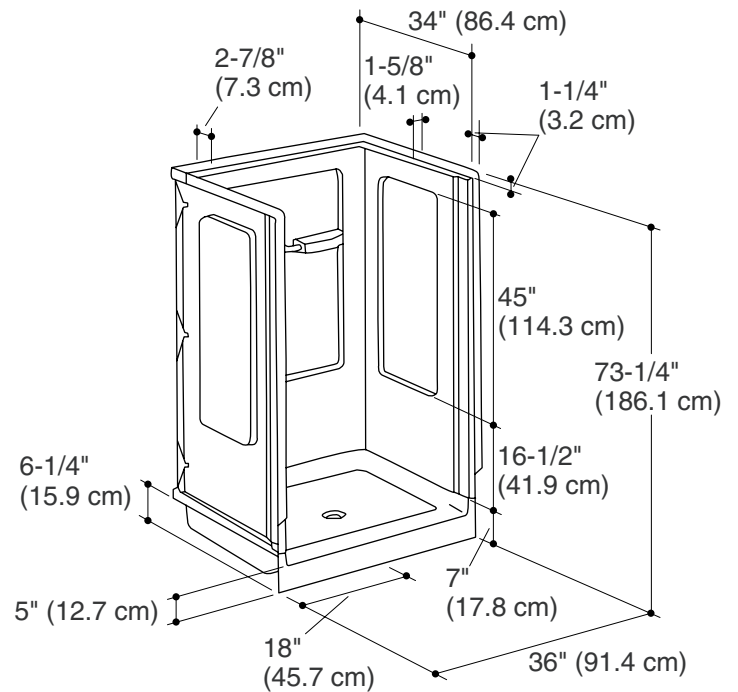
Installation Notes

Install this product according to the installation guide.

Size the drain cutout to fit the drain assembly that will be used.



62020100



Product Diagram